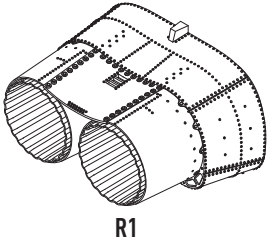
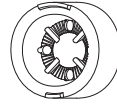
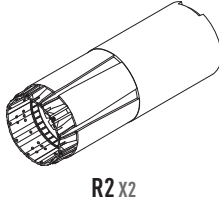


DETAILS AFTER REMOVAL FROM SUPPORTS

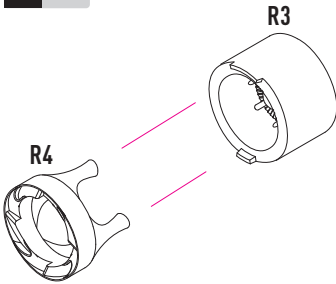


REMOVE PROTECTIVE COVER

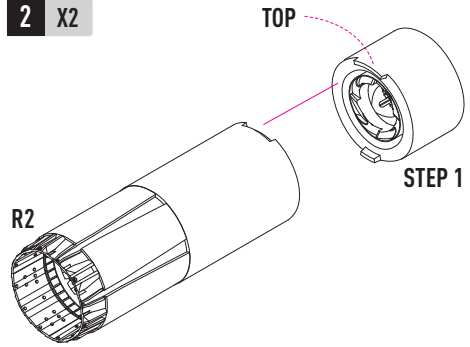
USE A SAW TO REMOVE SUPPORTS
FROM 3D PRINTED PARTS



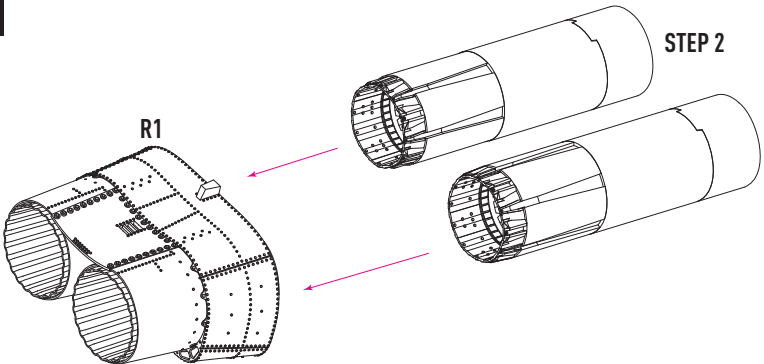
1 X2



2 X2

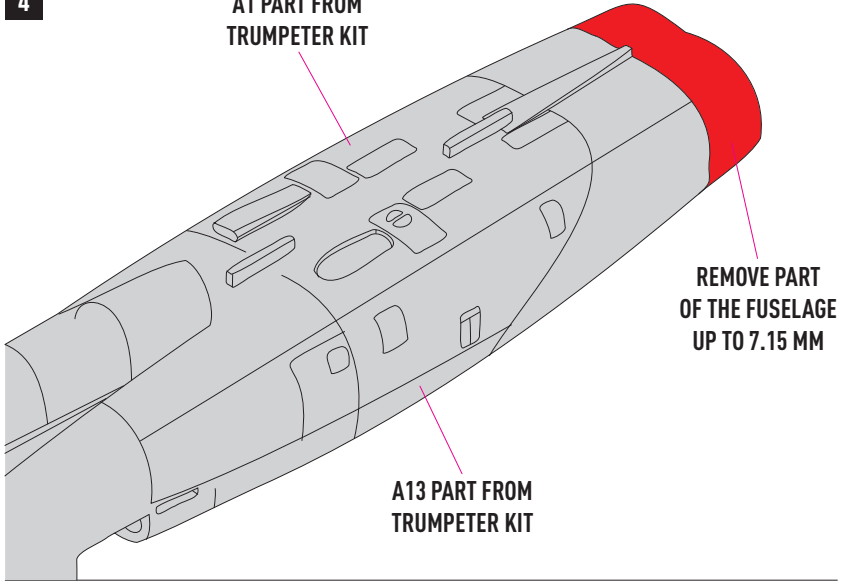


3



4

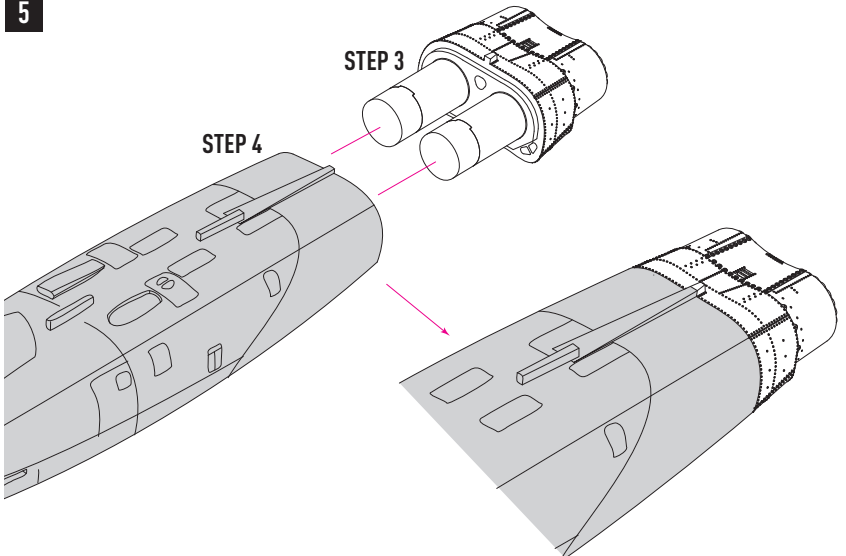
A1 PART FROM
TRUMPETER KIT



REMOVE PART
OF THE FUSELAGE
UP TO 7.15 MM

A13 PART FROM
TRUMPETER KIT

5



STEP 3

STEP 4