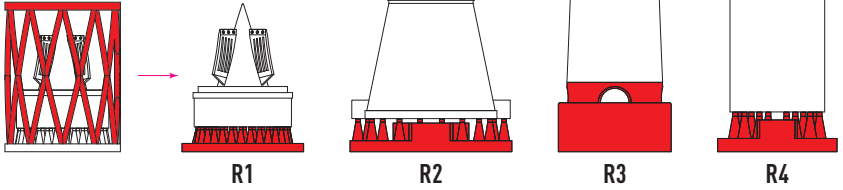


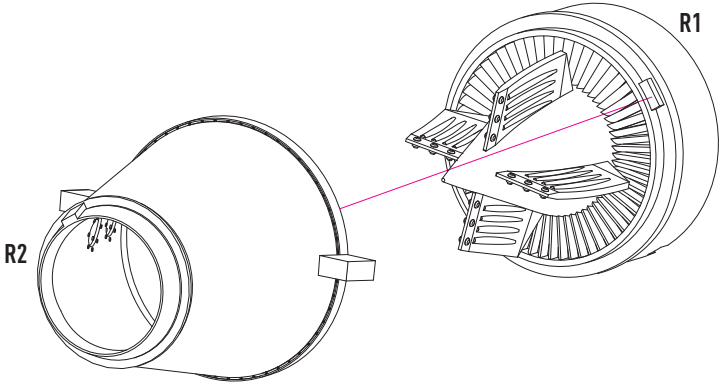
CUT

USE A SAW TO REMOVE SUPPORTS
FROM 3D PRINTED PARTS

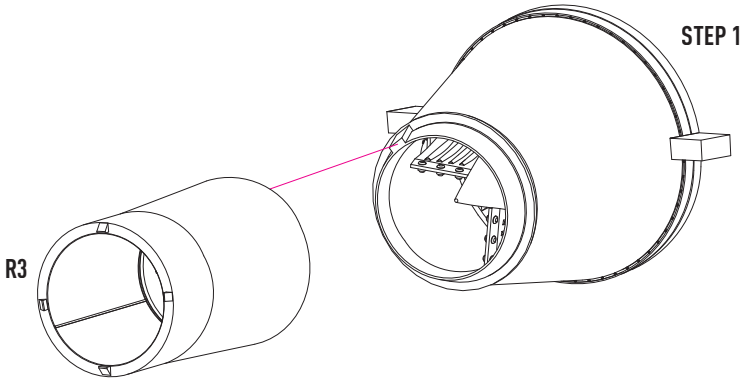
REMOVE PROTECTIVE COVER



1

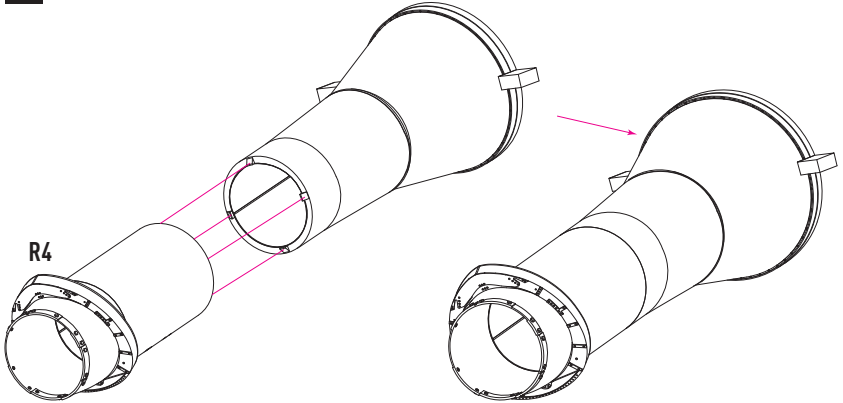


2



3

STEP 2



4 INSTALL THE PART IN THE MODEL
AND CONTINUE ASSEMBLING
ACCORDING TO ORIGINAL
INSTRUCTIONS

PART B2 FROM
THE ORIGINAL KIT

