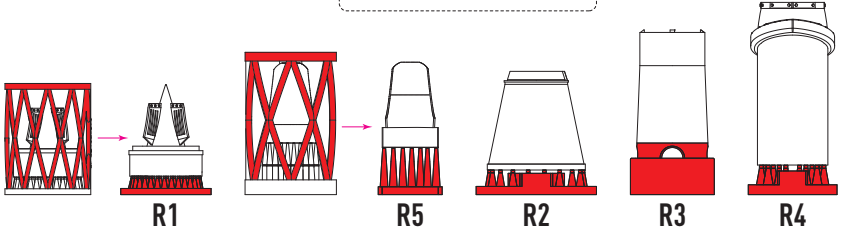


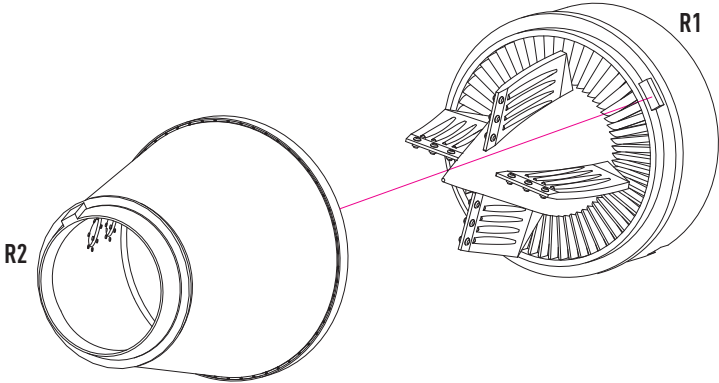
### CUT

#### REMOVE PROTECTIVE COVER

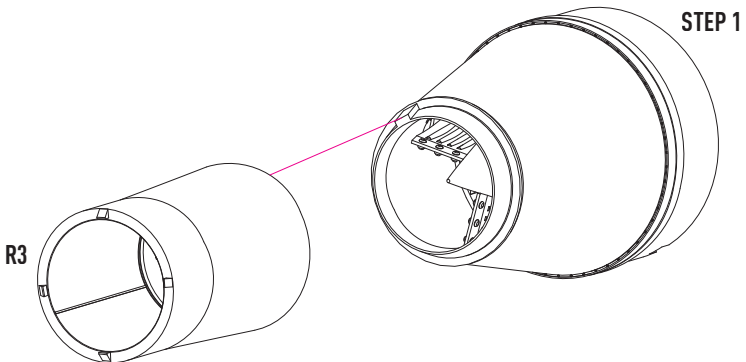
USE A SAW TO REMOVE SUPPORTS  
FROM 3D PRINTED PARTS



1

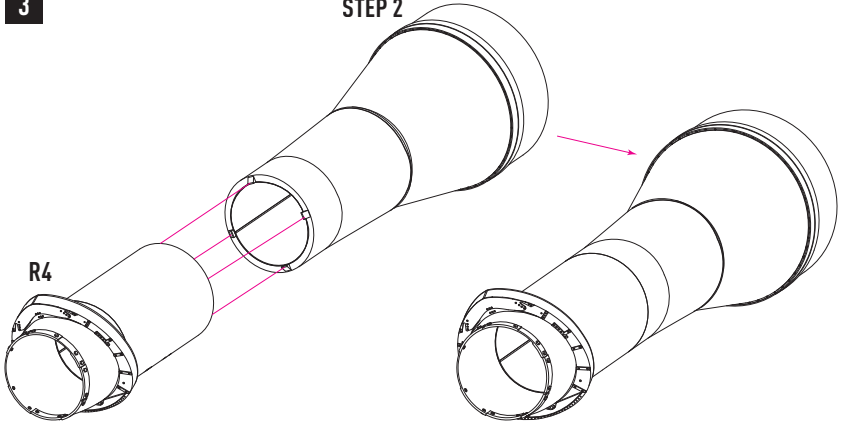


2



3

STEP 2



4

