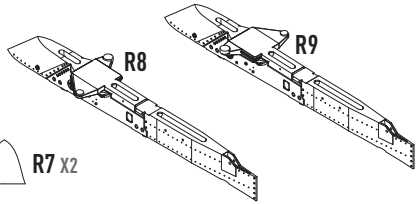
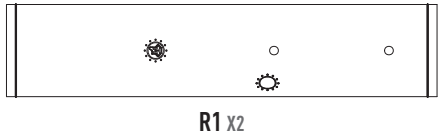
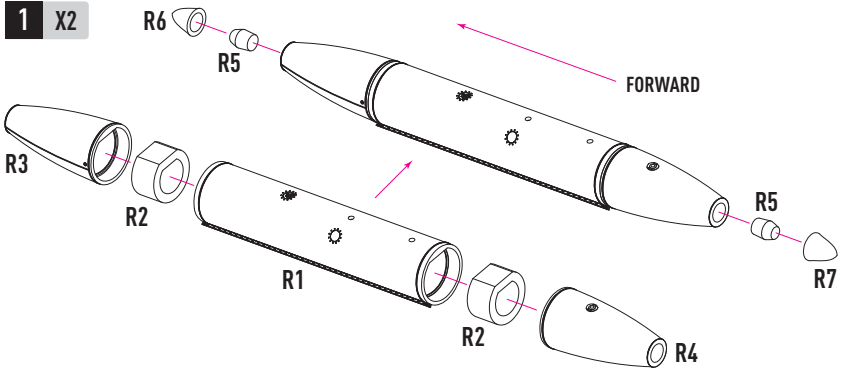


DETAILS AFTER REMOVAL FROM SUPPORTS

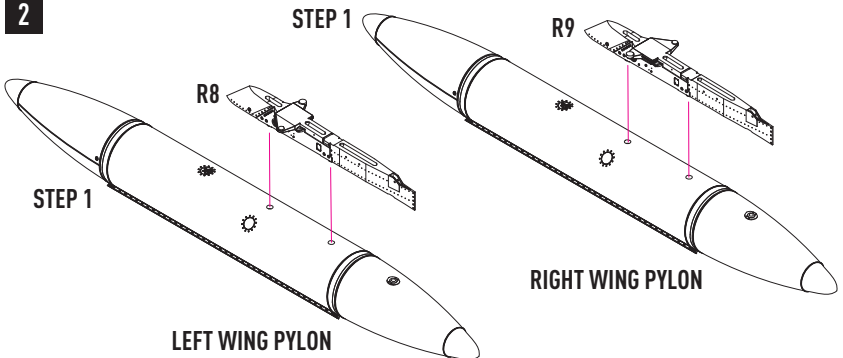
USE A SAW TO REMOVE SUPPORTS FROM 3D PRINTED PARTS

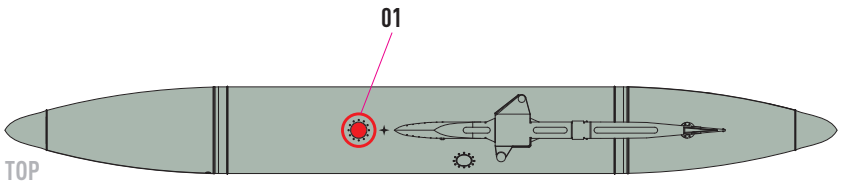
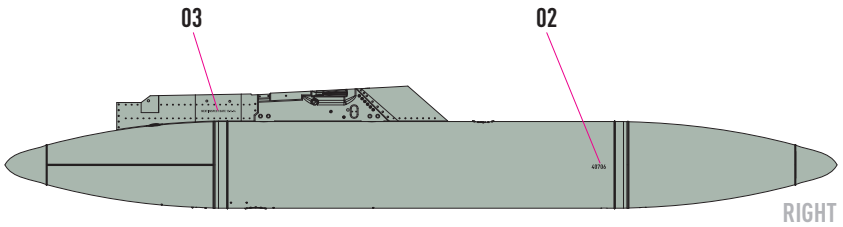
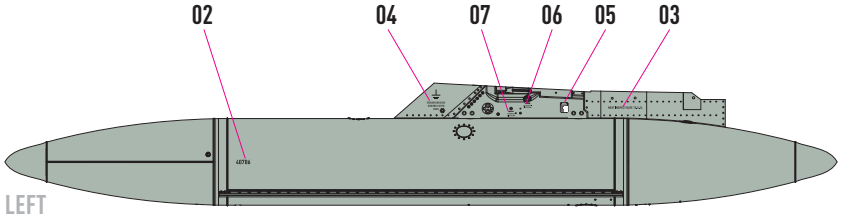


1 X2



2





**APPLY DECALS TO THE SECOND PYLON SYMMETRICALLY
PAINT PYLONS IN THE COLOR OF THE AIRCRAFT**