

DETAILS AFTER REMOVAL FROM SUPPORTS



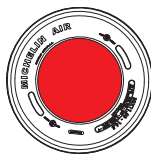
R13 x2



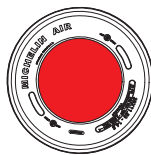
R11



R12



R14



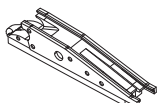
R15



R9 x2



R10 x2



R16



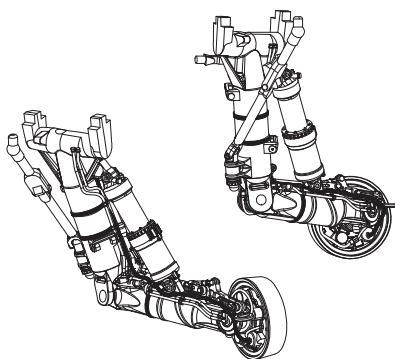
R17



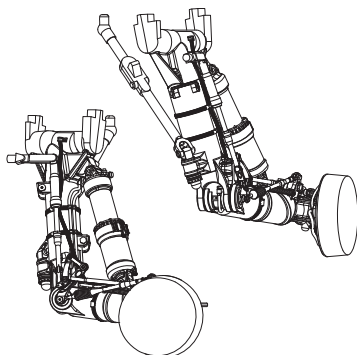
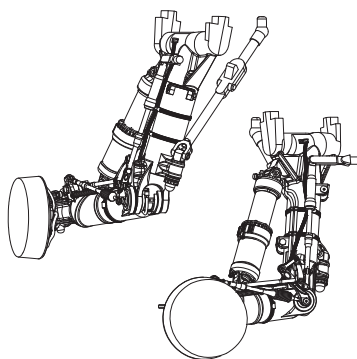
R18



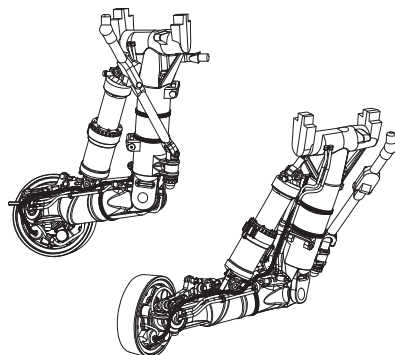
R19 x4



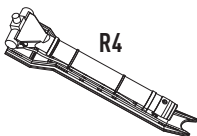
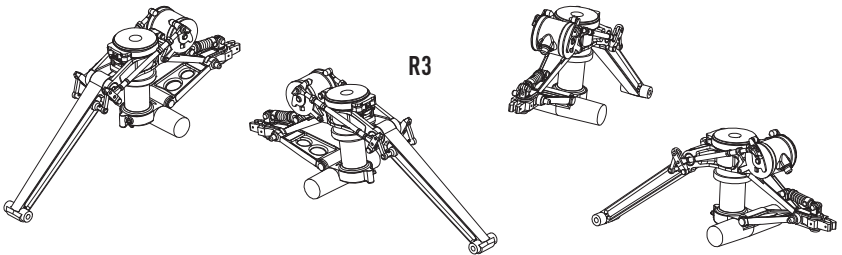
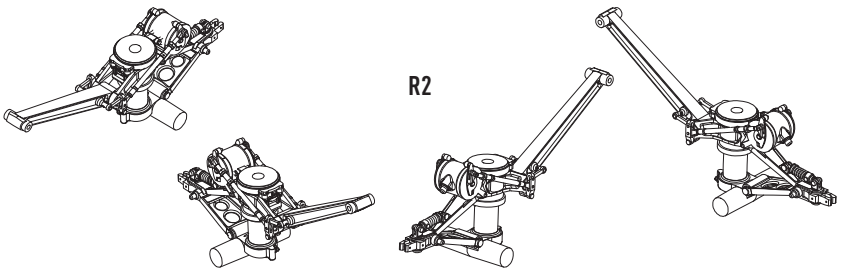
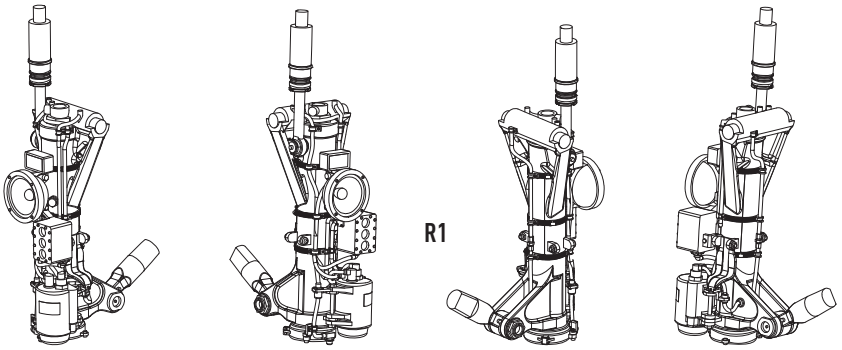
R7



R8



DETAILS AFTER REMOVAL FROM SUPPORTS



 T1 L=27 MM, D=1 MM

 T2 X2 L=17 MM, D=1 MM

 T3 X2 L=16 MM, D=1 MM



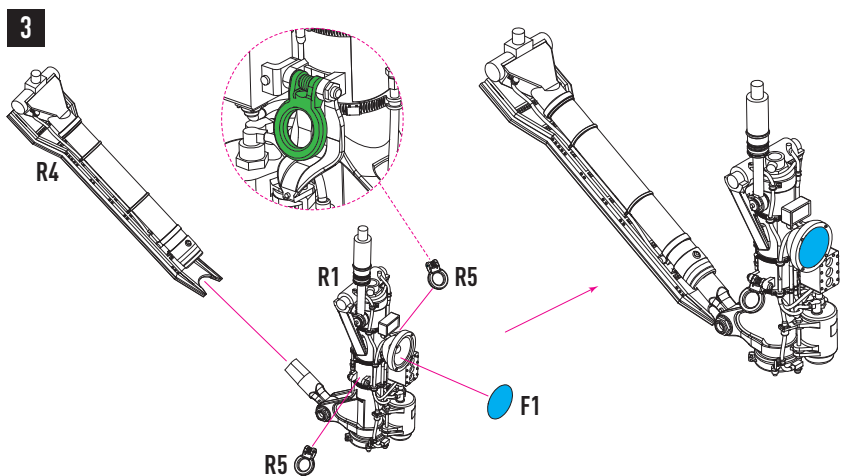
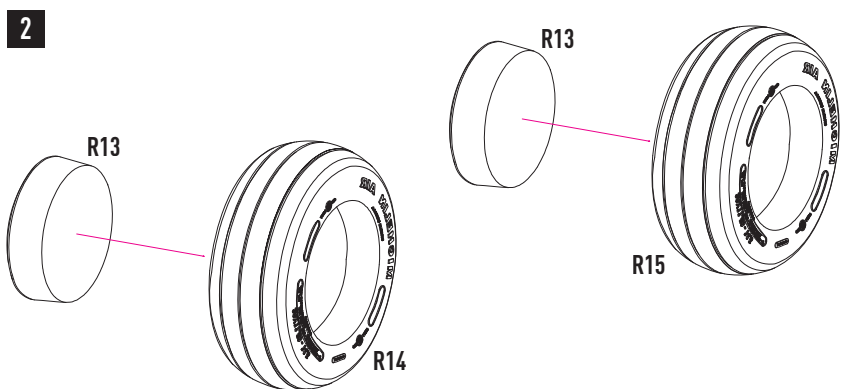
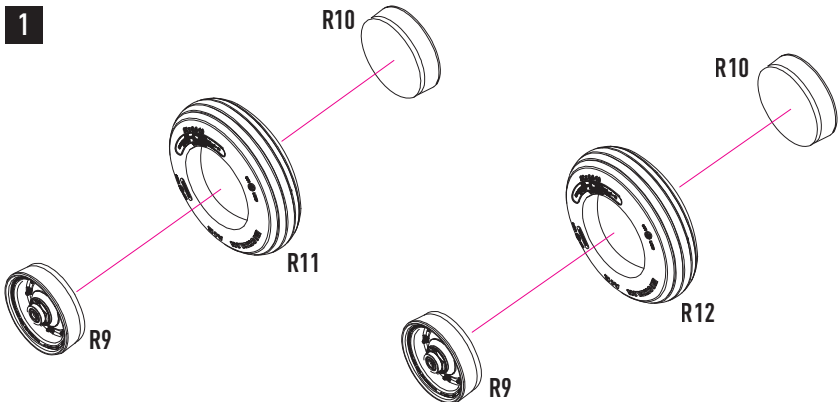
R5 X4



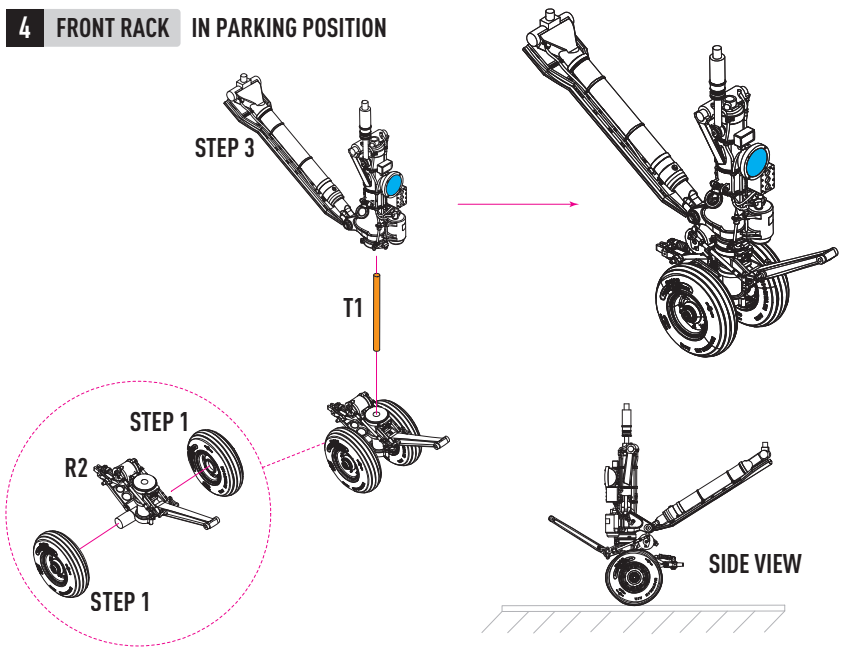
R6 X4



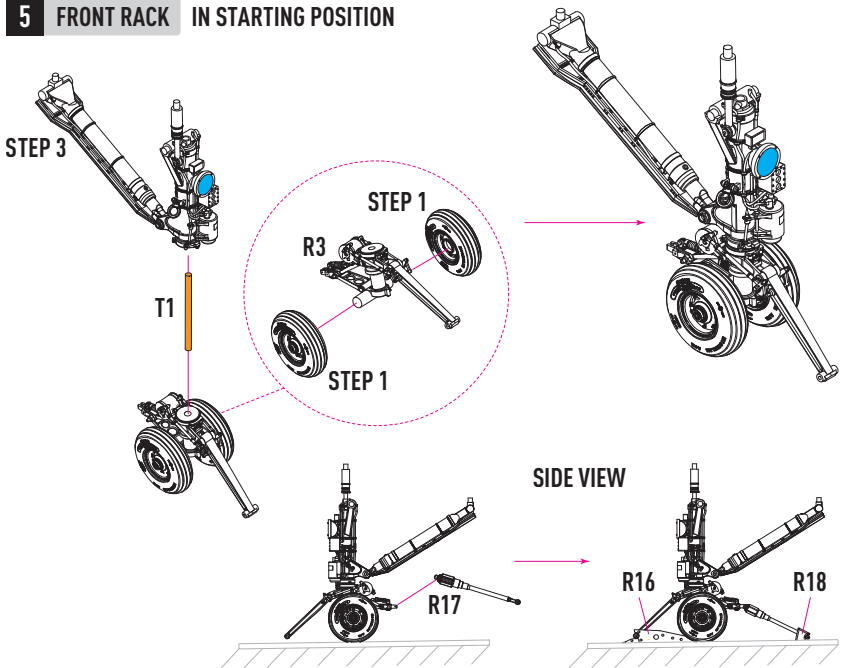
F1 X2



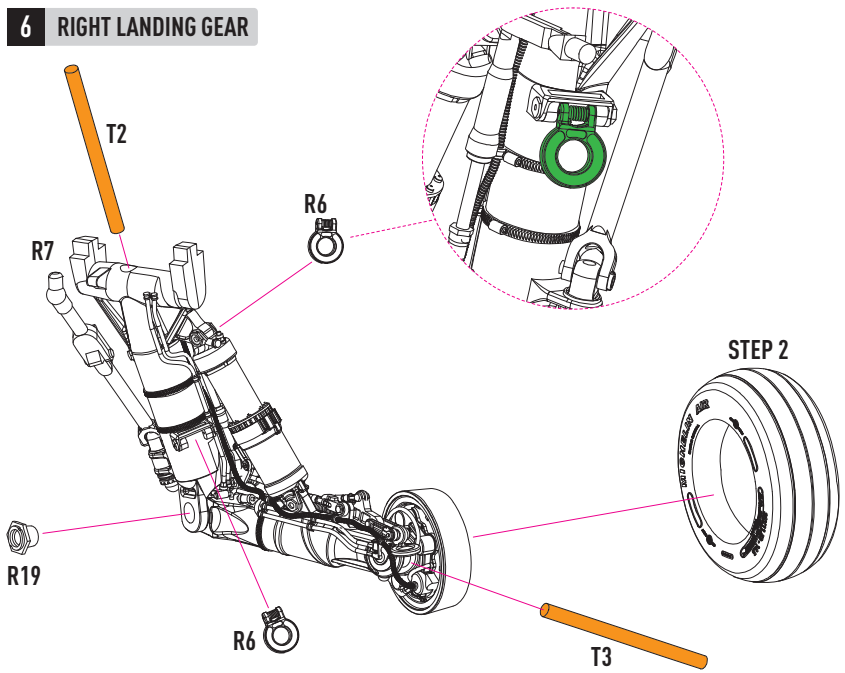
4 FRONT RACK IN PARKING POSITION



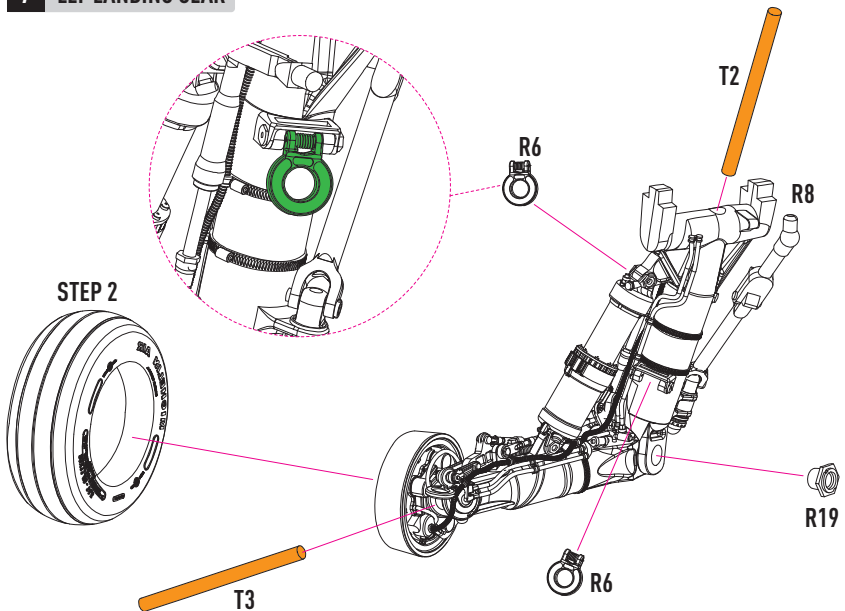
5 FRONT RACK IN STARTING POSITION



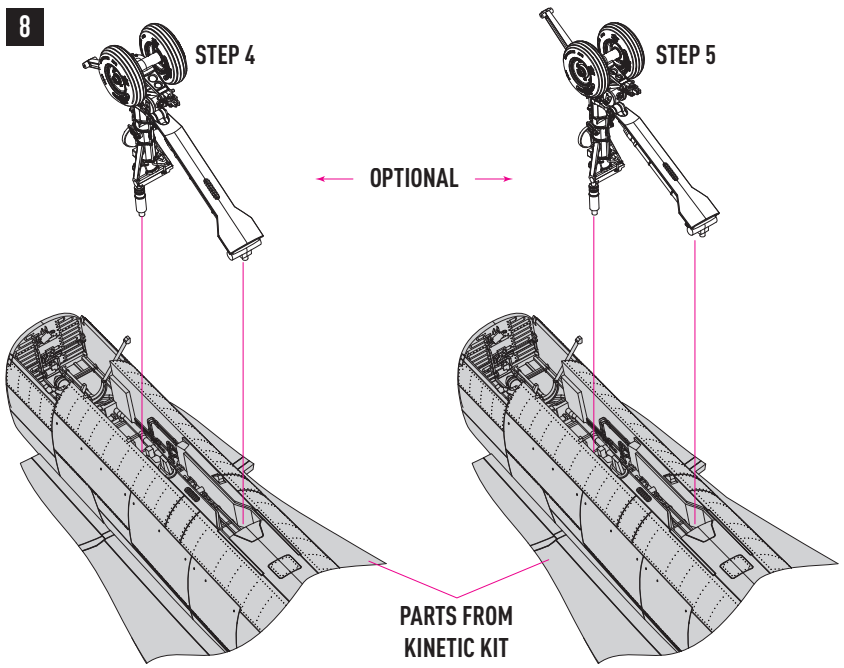
6 RIGHT LANDING GEAR



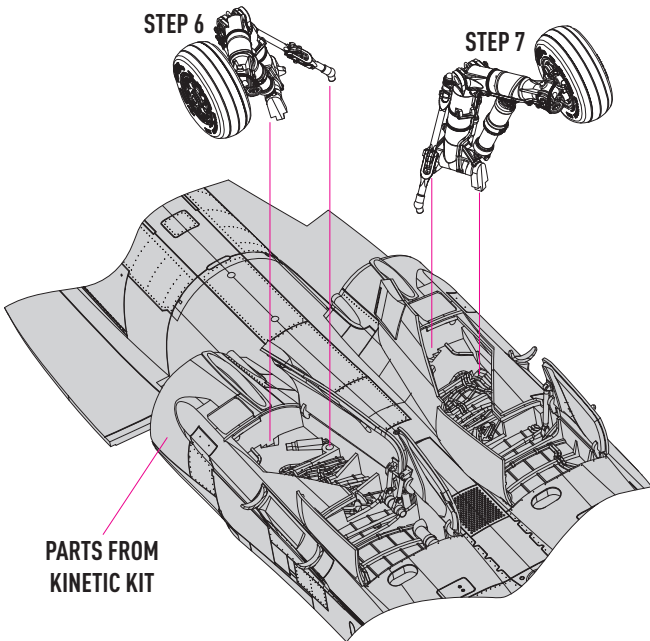
7 LEF LANDING GEAR

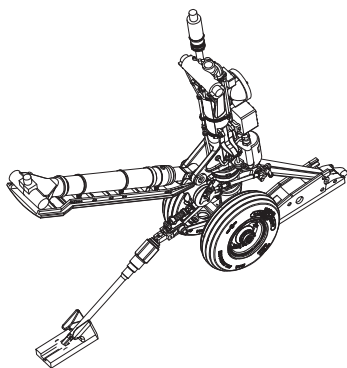
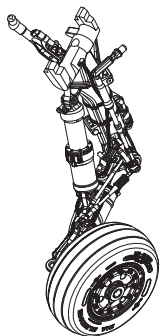
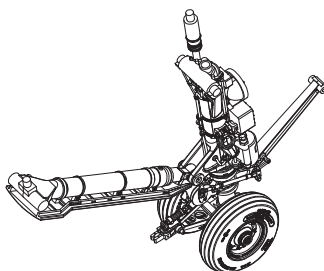
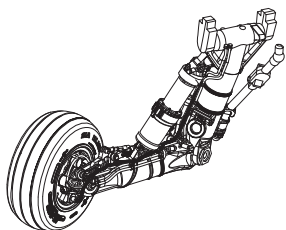
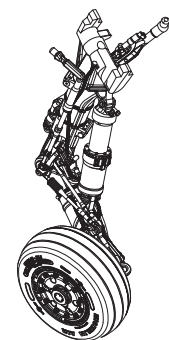
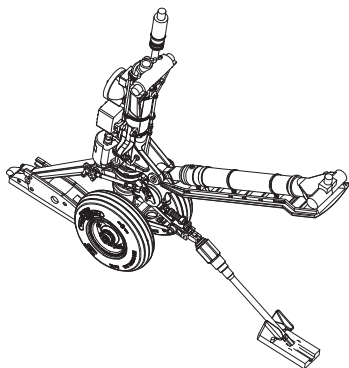
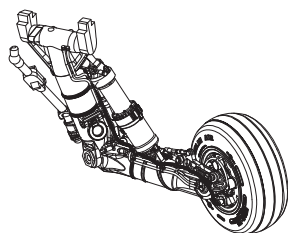
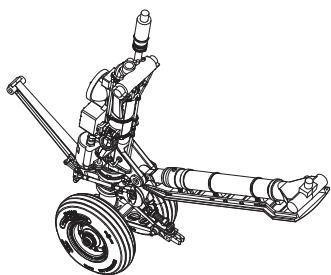


8



9





general issues: info@reskit.com.ua / claim resolution: claims@reskit.com.ua

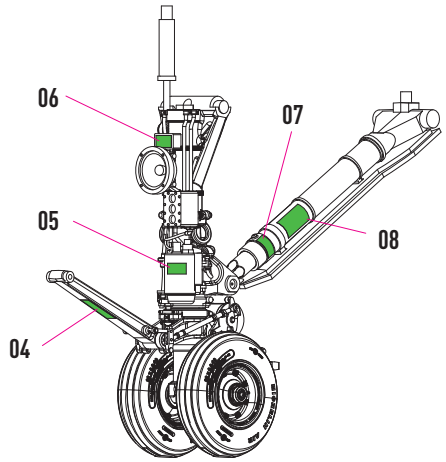
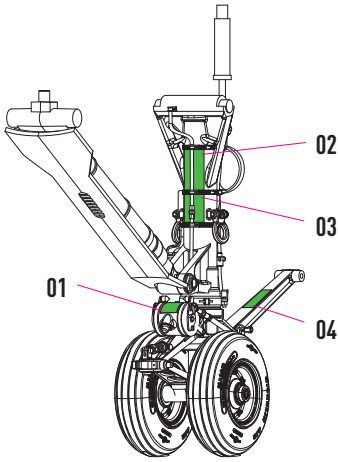
RESKIT-MODELS.COM

 fb.com/reskit.official

 instagram.com/reskit_official

 pinterest.com/reskit_official

FRONT CHASSIS



MAIN CHASSIS

