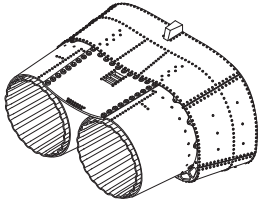
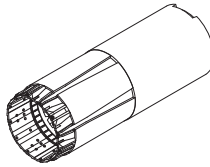


DETAILS AFTER REMOVAL FROM SUPPORTS

 USE A SAW TO REMOVE SUPPORTS
FROM 3D PRINTED PARTS



R1



R2 X2

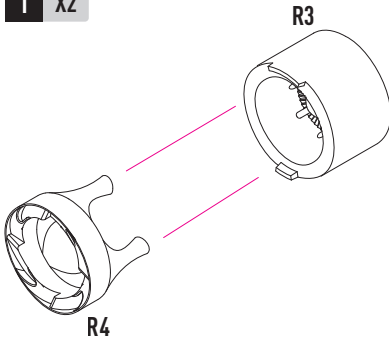


R3 X2

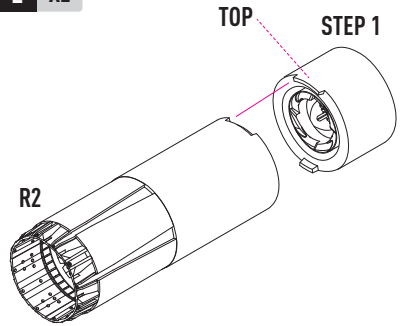


R4 X2

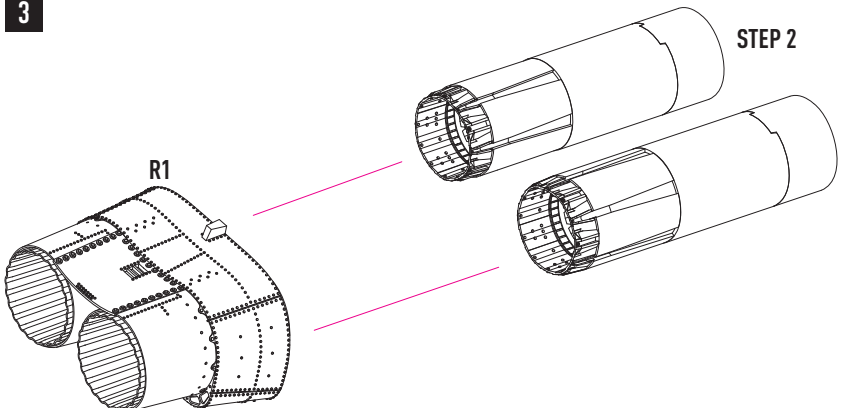
1 X2



2 X2

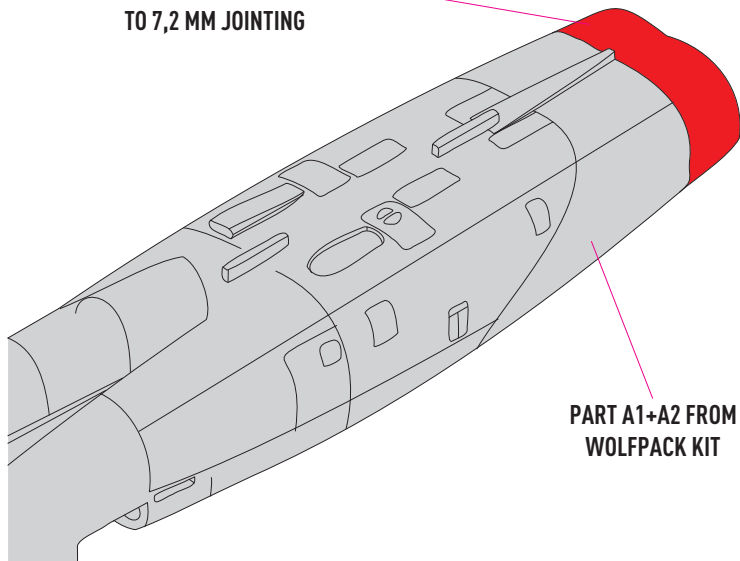


3



4

**REMOVE PART OF THE FUSELAGE
TO 7,2 MM JOINTING**



5

