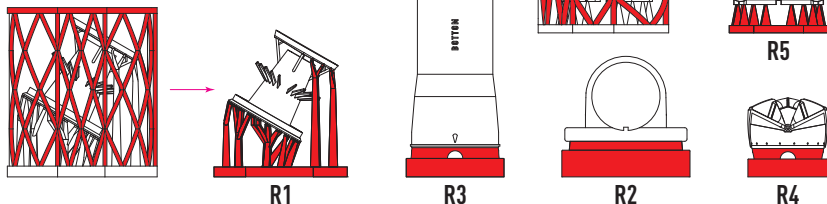


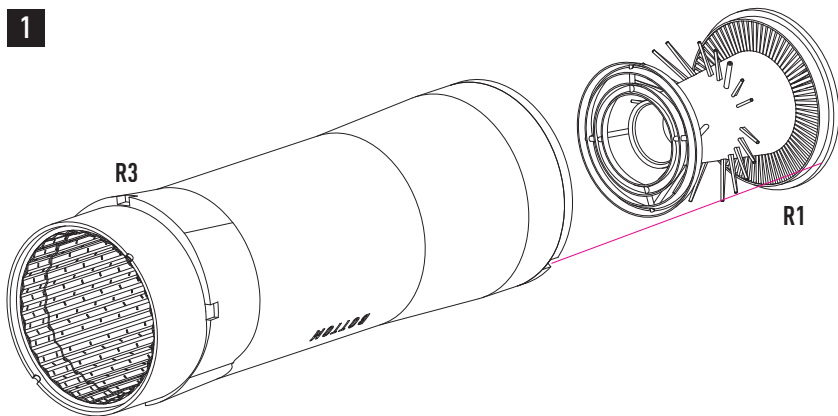
CUT

USE A SAW TO REMOVE SUPPORTS
FROM 3D PRINTED PARTS

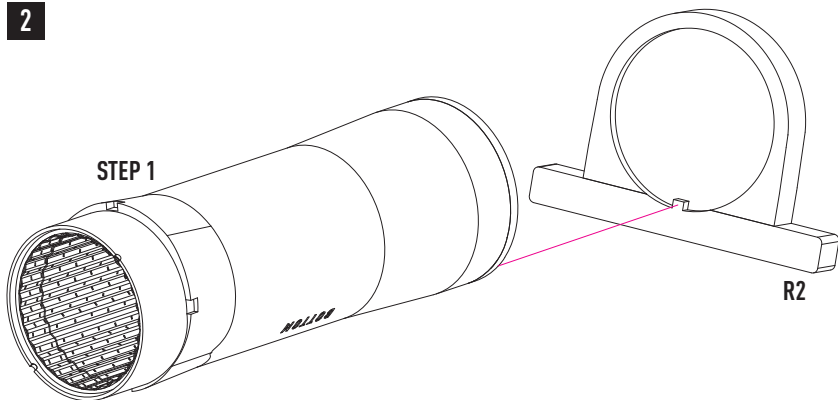
REMOVE PROTECTIVE COVER



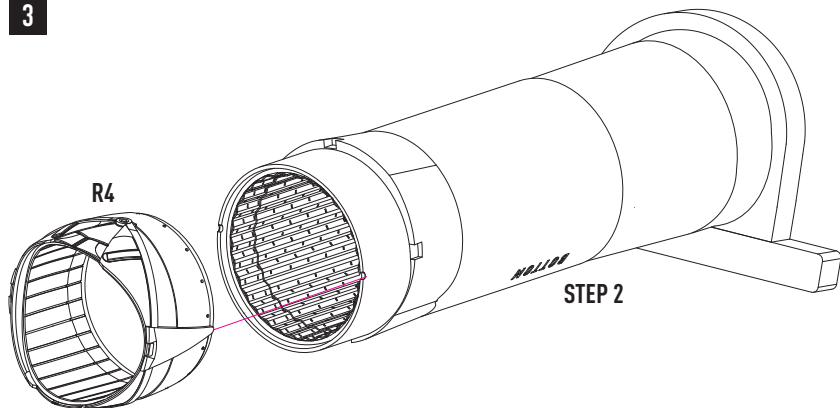
1



2



3



4

