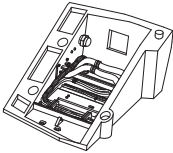
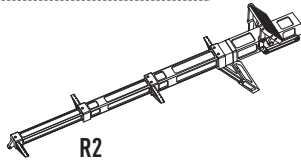


CUT



R1

USE A SAW TO REMOVE SUPPORTS
FROM 3D PRINTED PARTS

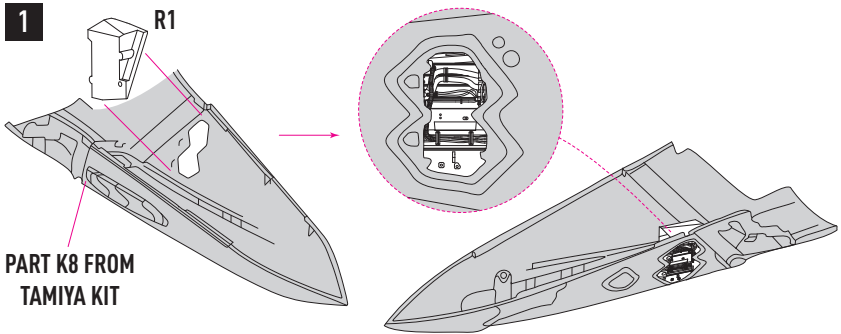


R2



R3

1



2

