



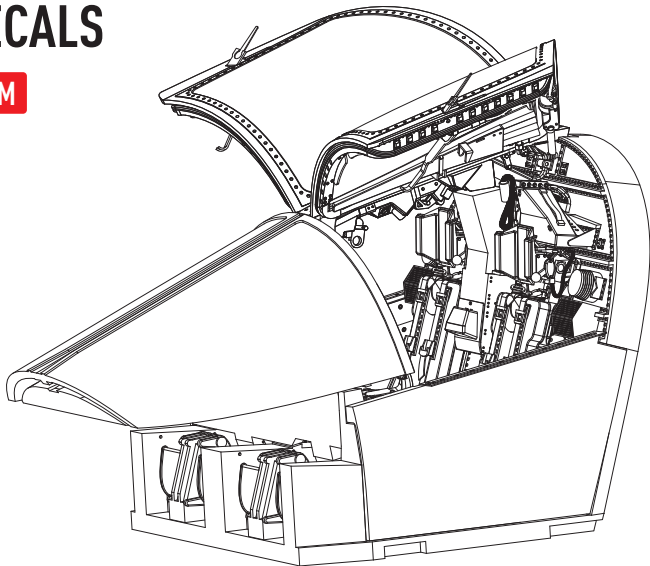
RESIN PARTS
FOR SCALE PLASTIC KITS

YOU CAN FIND INSTRUCTIONS
IN PDF FORMAT ON THE WEBSITE

INSTRUCTION **RSU48-0231**

F-111A/E COCKPIT WITH 3D DECALS

RESKIT-MODELS.COM



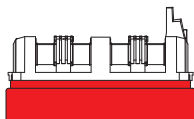
3D PRINTED
PARTS
INCLUDED

FOR ACADEMY KIT

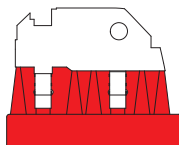
CUT AND REMOVE PROTECTIVE COVER



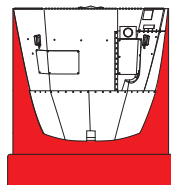
R1



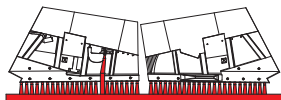
R2



R3



R4



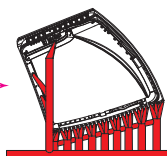
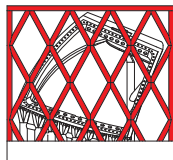
R5



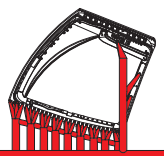
R24

R6

R25



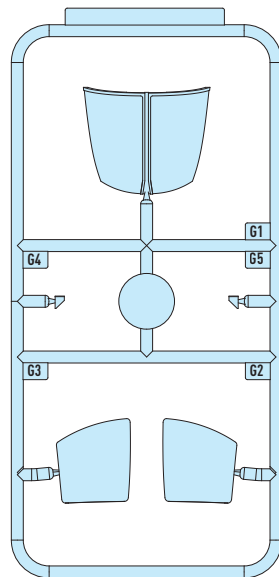
R26



R27



R28



CUT AND REMOVE PROTECTIVE COVER



USE A SAW TO REMOVE SUPPORTS FROM 3D PRINTED PARTS

R15 R13 R17

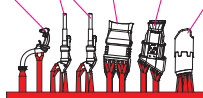


TOP VIEW

R15 R14 R16 R18

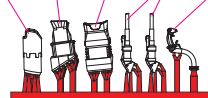


R15 R14 R16 R17 R18



LEFT VIEW

R18 R17 R16 R13 R15



RIGHT VIEW



R19 R21 R22 R23



LEFT VIEW

R23 R22 R20



RIGHT VIEW

R18 R22 R21 R19



TOP VIEW

R20



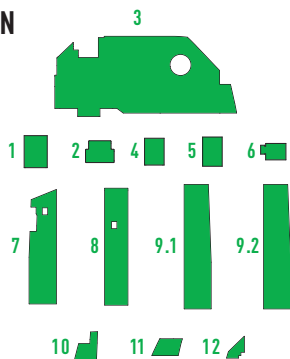
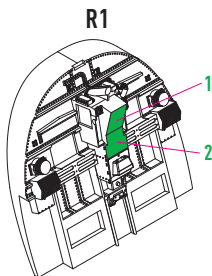
R7

R8

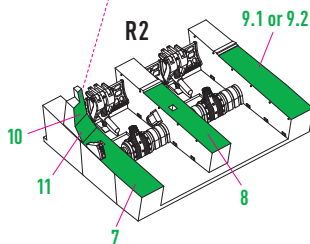
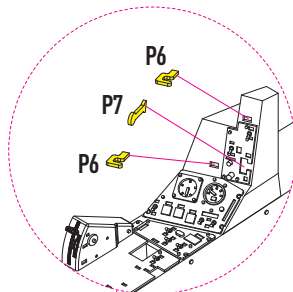
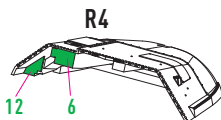
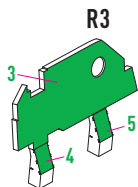


R9 R10

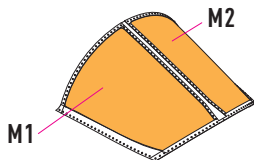
3D DECALS INSTRUCTION



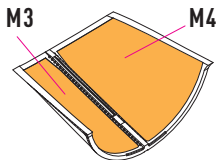
9.1 - FOR MODIFICATION F-111A
9.2 - FOR MODIFICATION F-111E



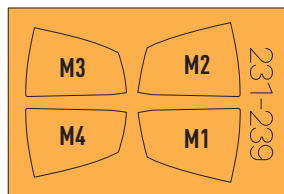
APPLYING MASKS G1

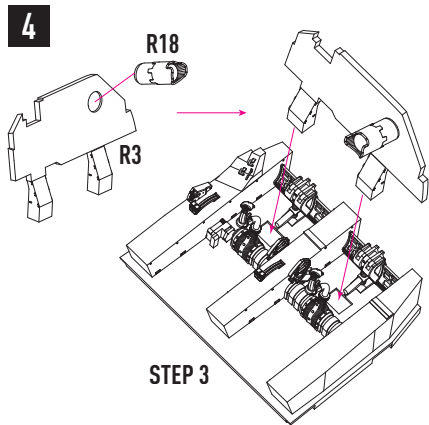
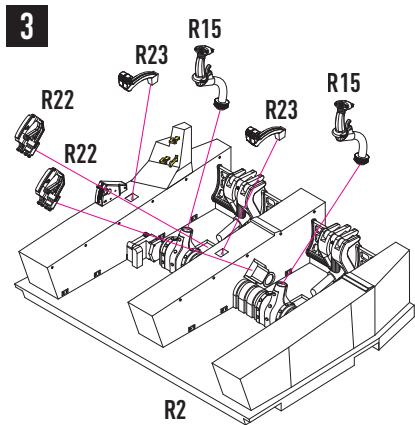
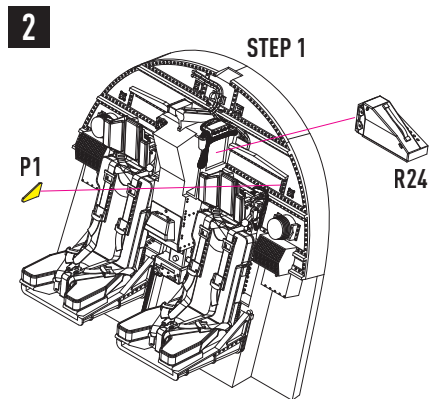
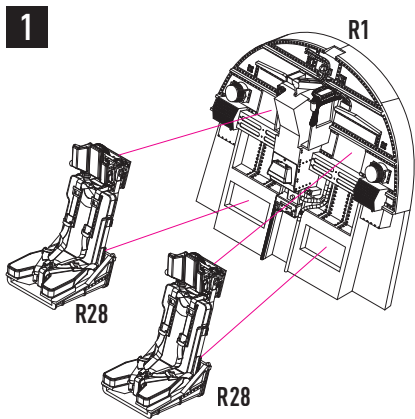


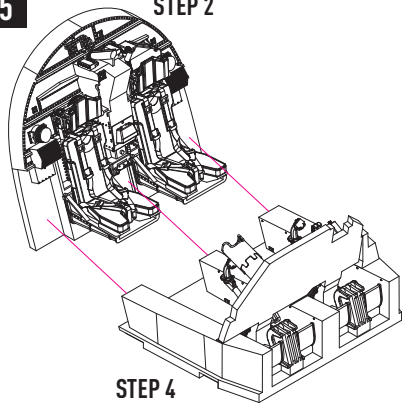
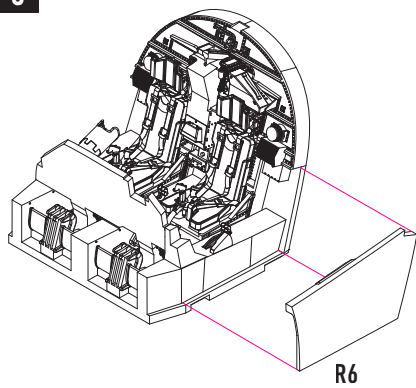
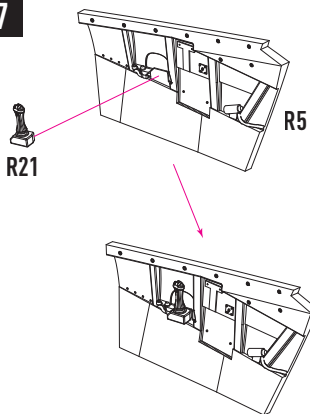
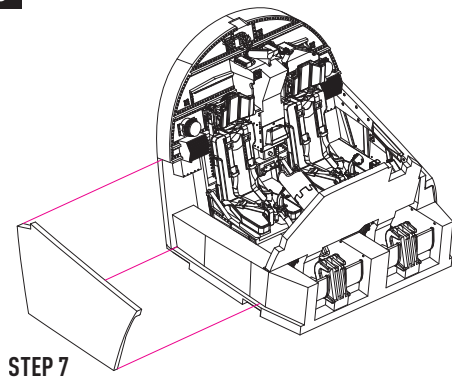
CAMOUFLAGE COLOR



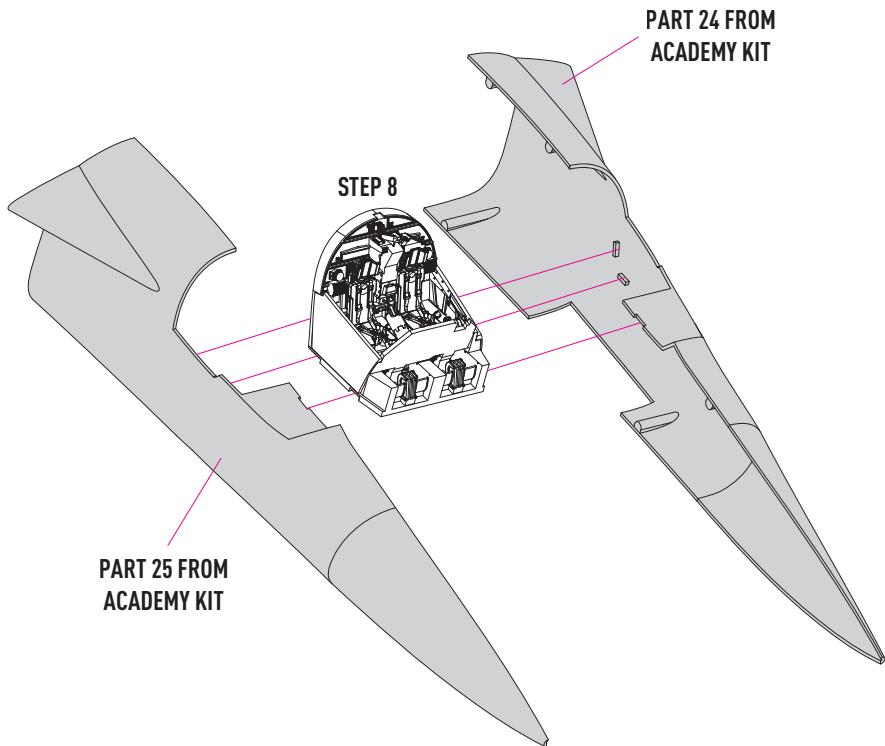
INTERIOR COLOR



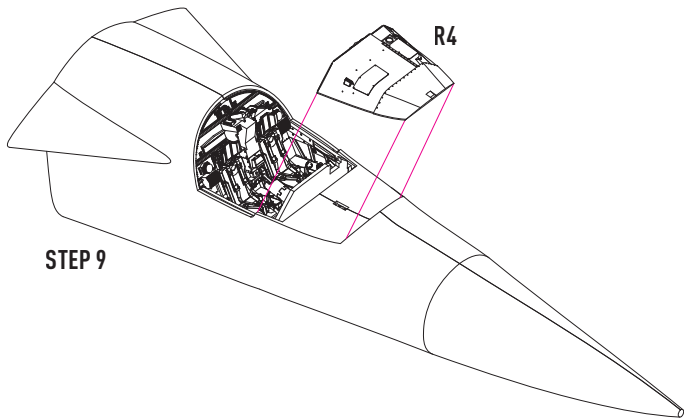


5**STEP 2****6****STEP 5****7****8****STEP 6**

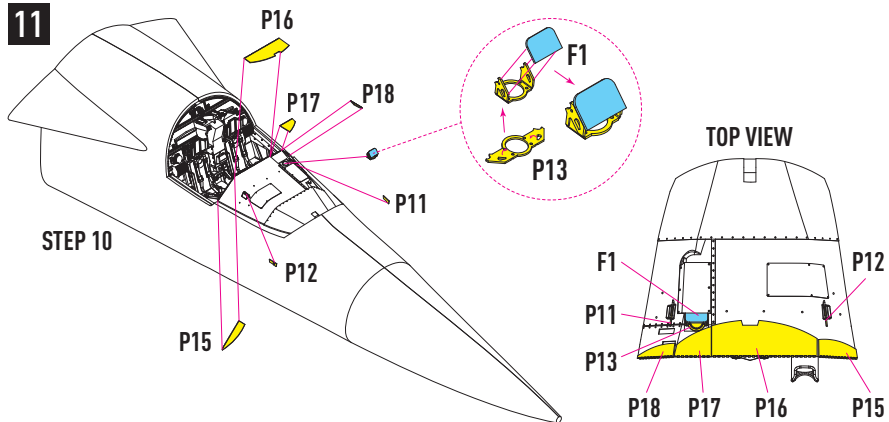
9 AT THIS STAGE OF ASSEMBLY, ALSO
FOLLOW THE INSTRUCTIONS IN PARAGRAPH 4
OF THE ACADEMY KIT INSTRUCTION



10

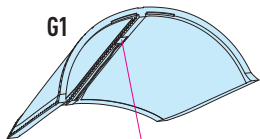


11

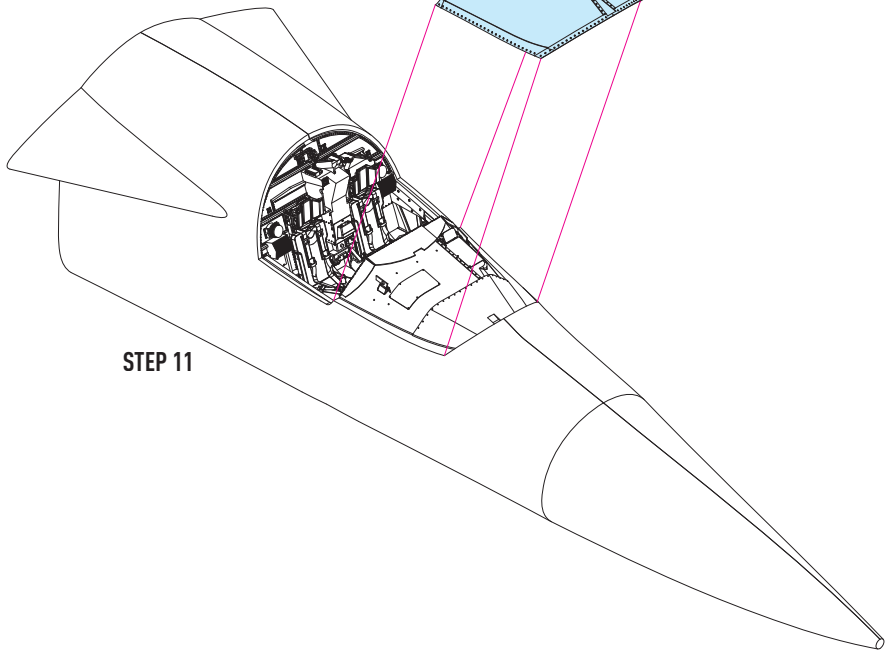
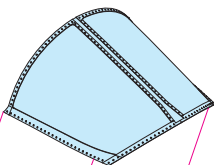


12

G1

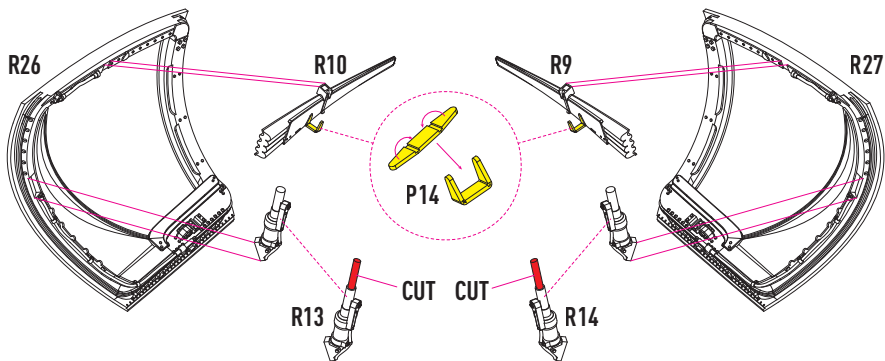


R19

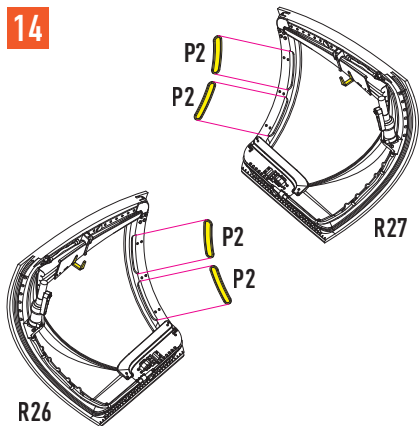


STEP 11

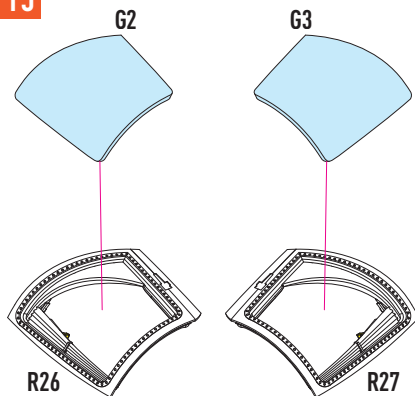
13 FOR CLOSED LANTERN

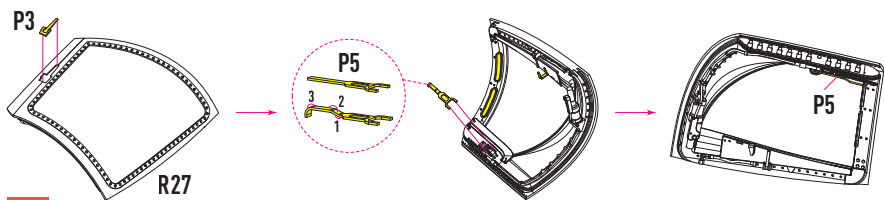


14

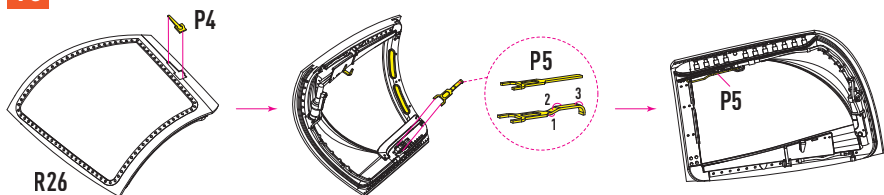


15

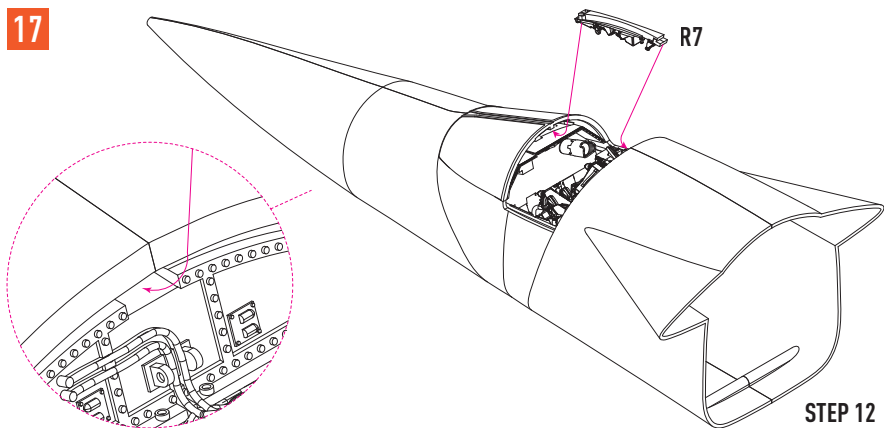




16

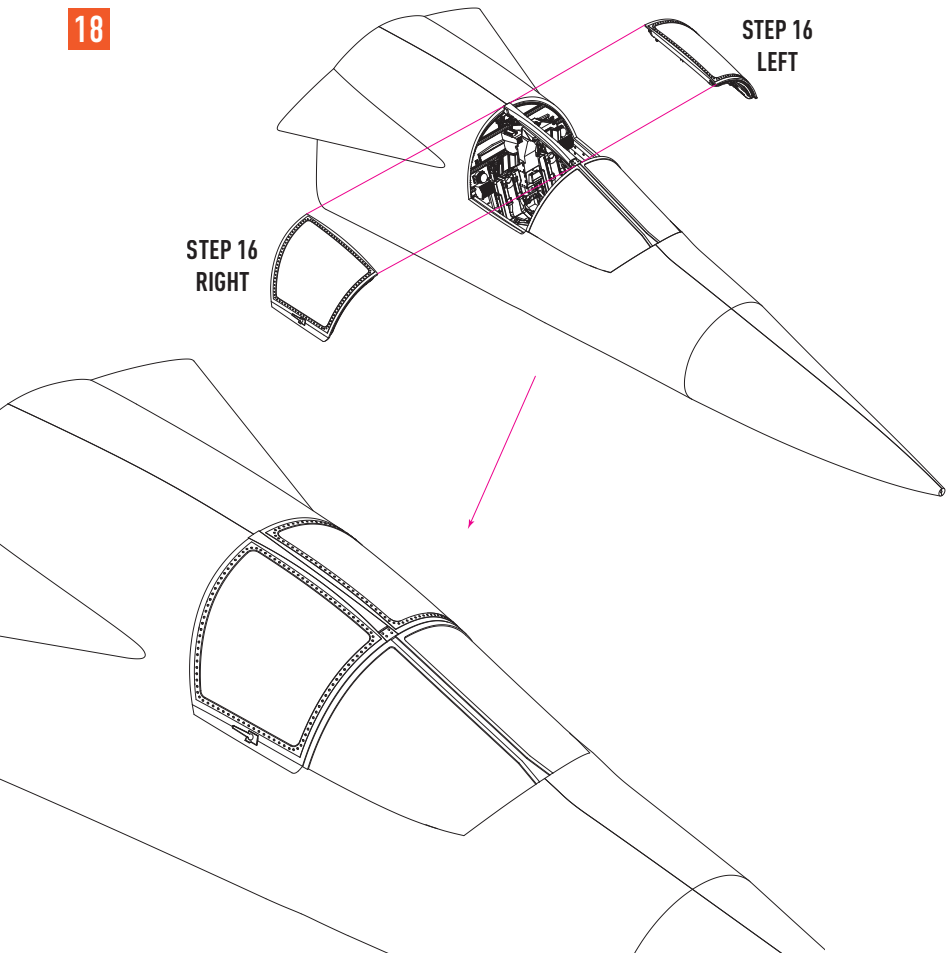


17

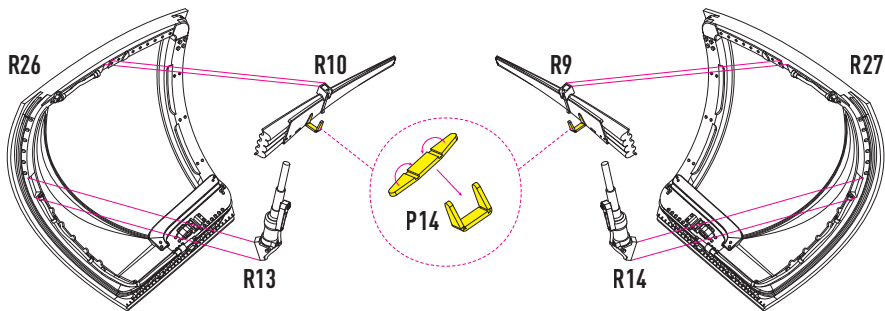


STEP 16
LEFT

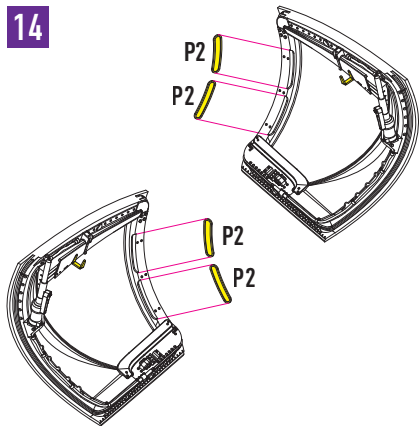
STEP 16
RIGHT



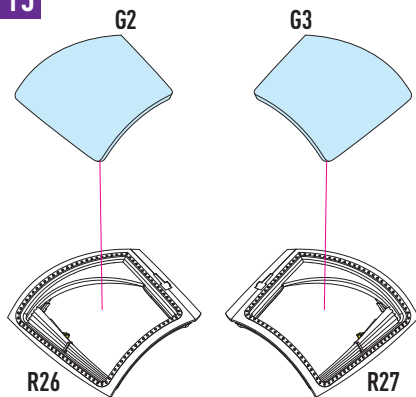
13 FOR OPEN LANTERN

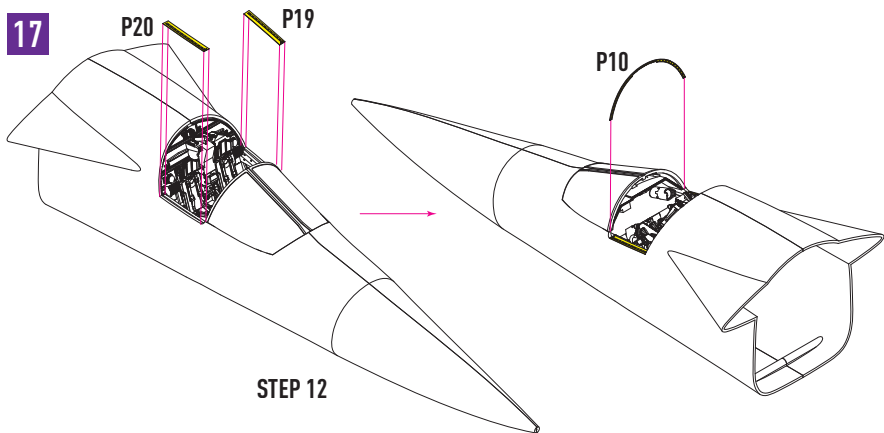
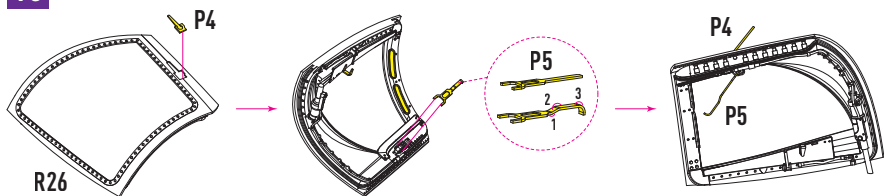
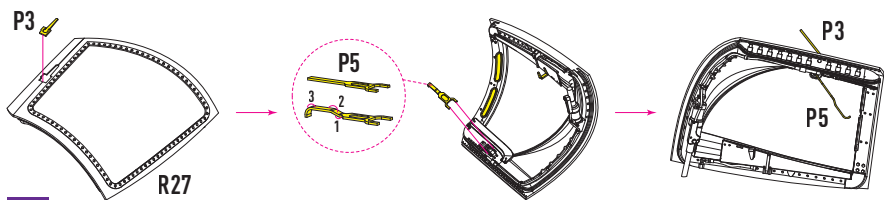


14

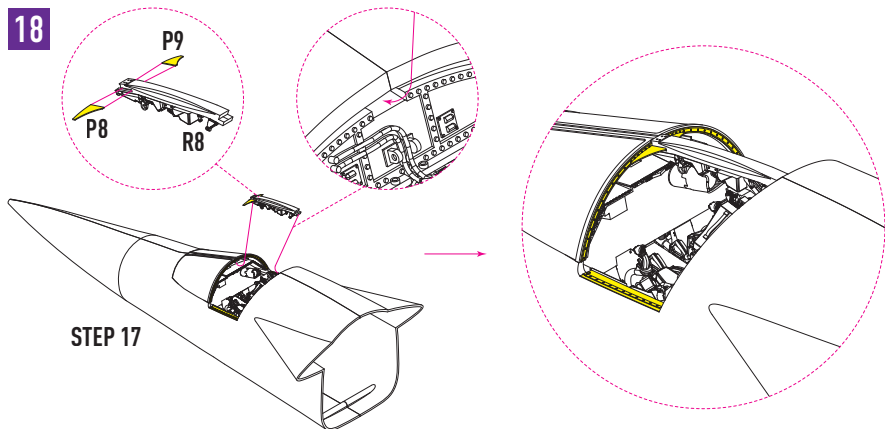


15

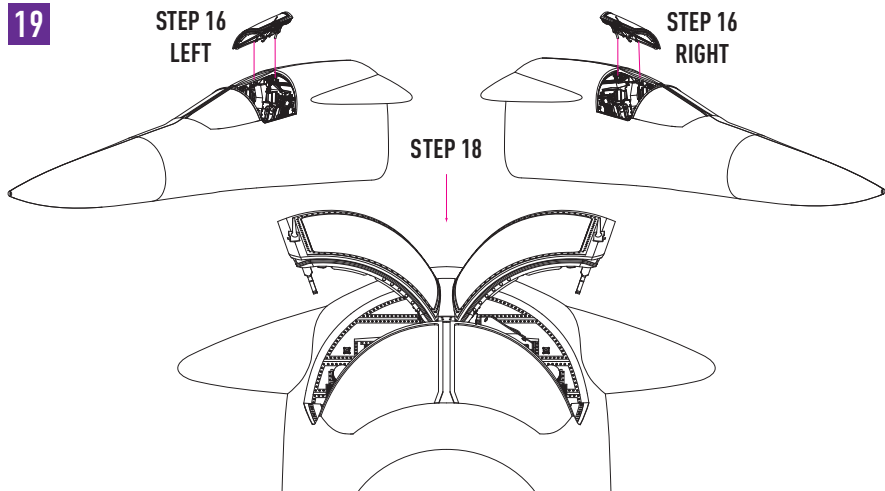




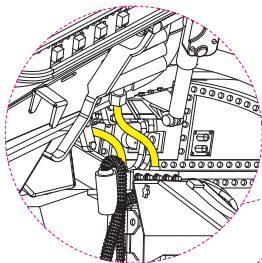
18



19



20



USE WIRE
D: 0.3 MM, L: 5 MM

