



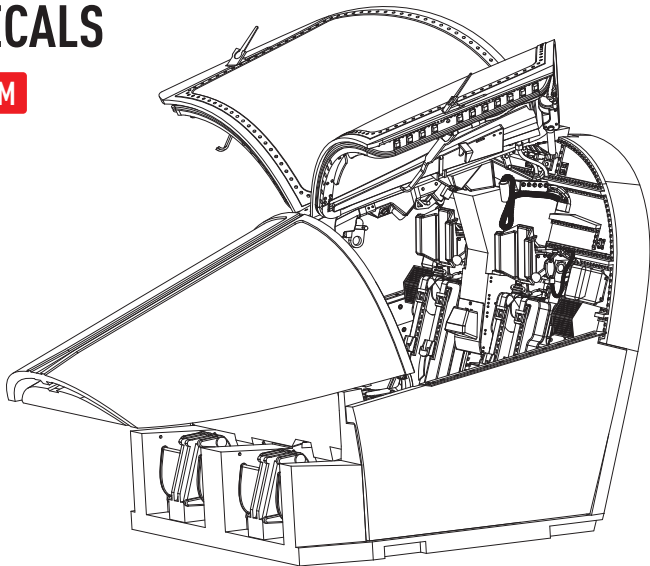
RESIN PARTS
FOR SCALE PLASTIC KITS

YOU CAN FIND INSTRUCTIONS
IN PDF FORMAT ON THE WEBSITE

INSTRUCTION **RSU48-0239**

F-111F COCKPIT LATE MODIFICATION WITH 3D DECALS

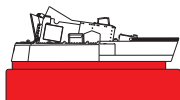
[RESKIT-MODELS.COM](https://reskit-models.com)



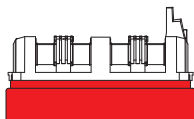
3D PRINTED
PARTS
INCLUDED

FOR ACADEMY KIT

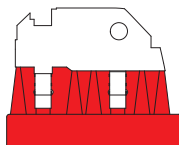
CUT AND REMOVE PROTECTIVE COVER



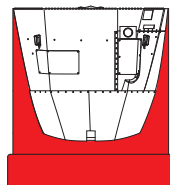
R1



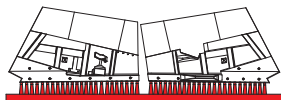
R2



R3



R4

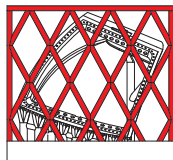


R5

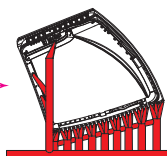


R24

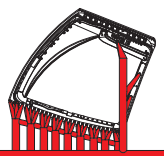
R6



R25



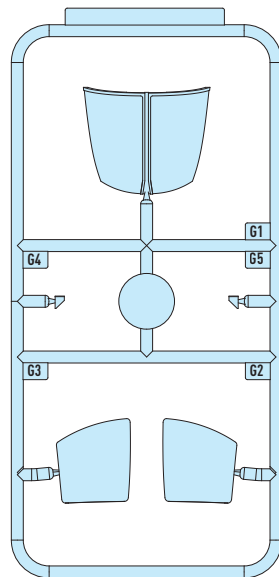
R26



R27



R28



CUT AND REMOVE PROTECTIVE COVER



USE A SAW TO REMOVE SUPPORTS FROM 3D PRINTED PARTS

R15 R13 R17

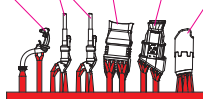


TOP VIEW

R15 R14 R16 R18

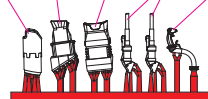


R15 R14 R16 R17 R18



LEFT VIEW

R18 R17 R16 R13 R15



RIGHT VIEW



R19 R21 R22 R23



LEFT VIEW

R23 R22 R20



RIGHT VIEW

R18 R22 R21 R19



TOP VIEW

R20



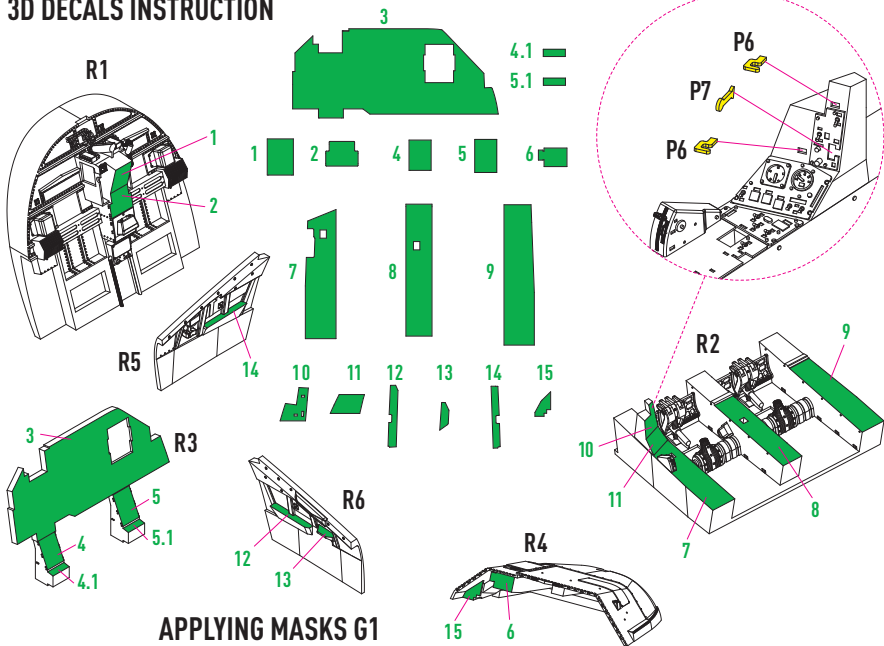
R7

R8

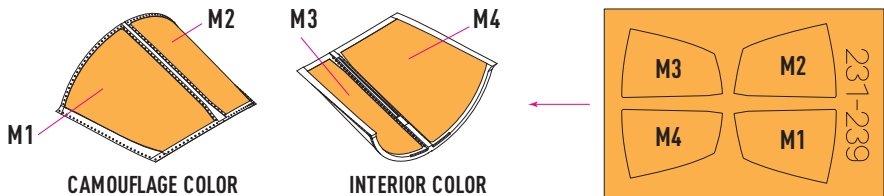


R9 R10

3D DECALS INSTRUCTION

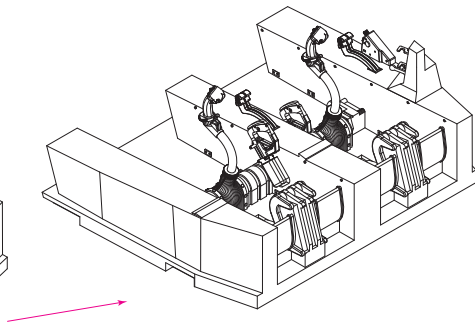
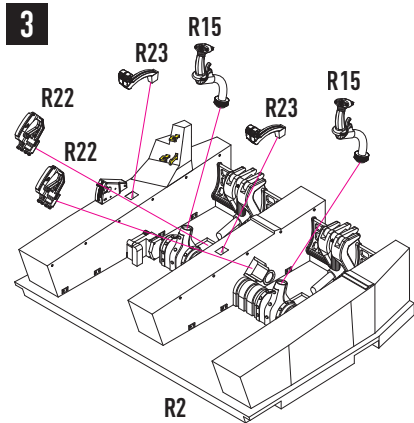
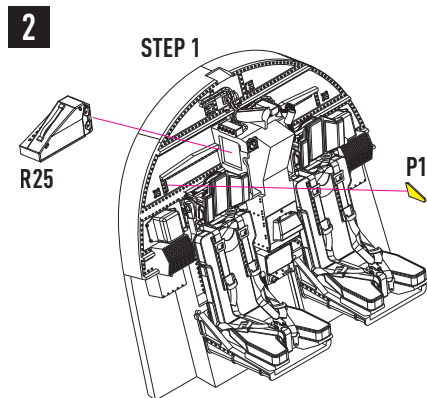
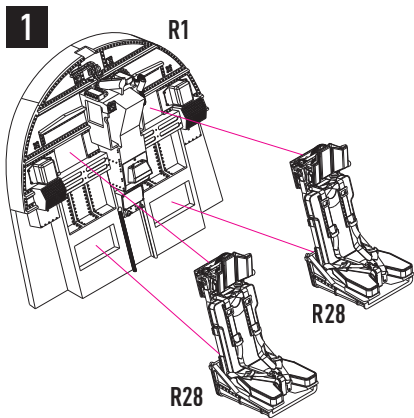


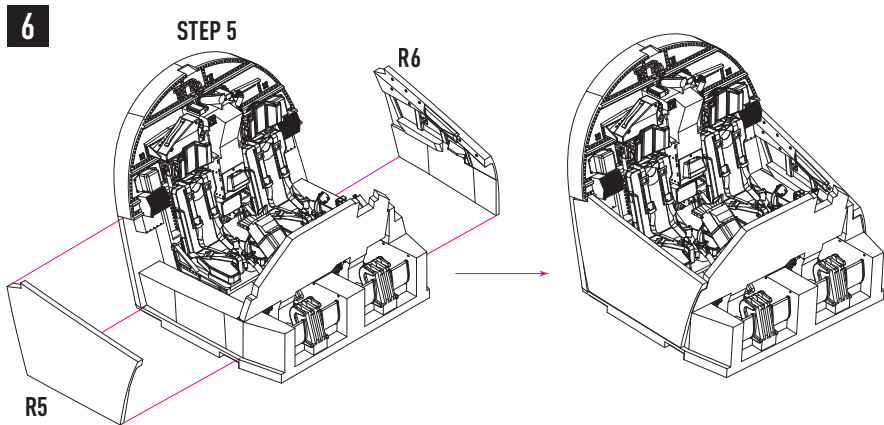
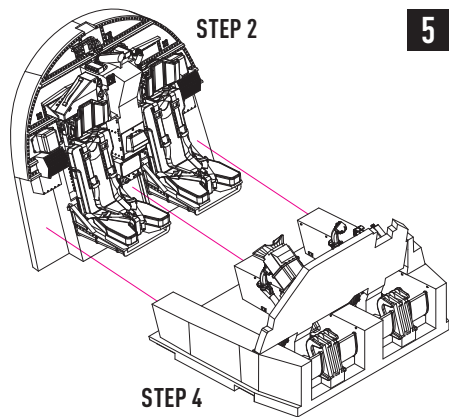
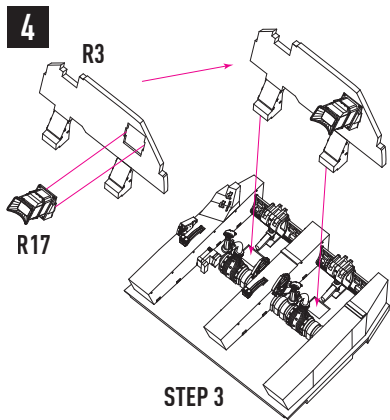
APPLYING MASKS G1



CAMOUFLAGE COLOR

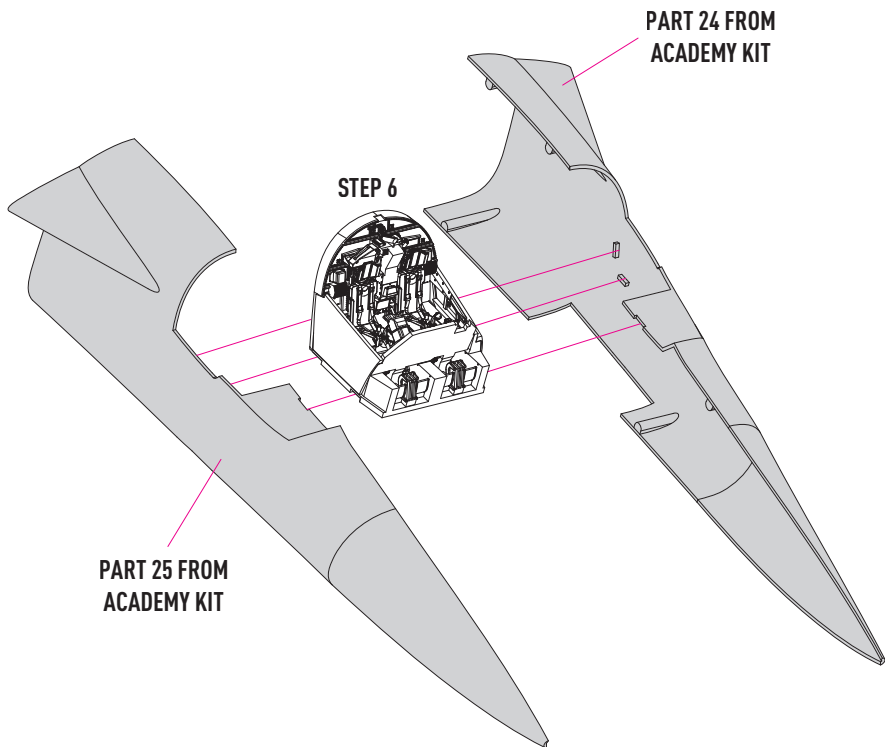
INTERIOR COLOR

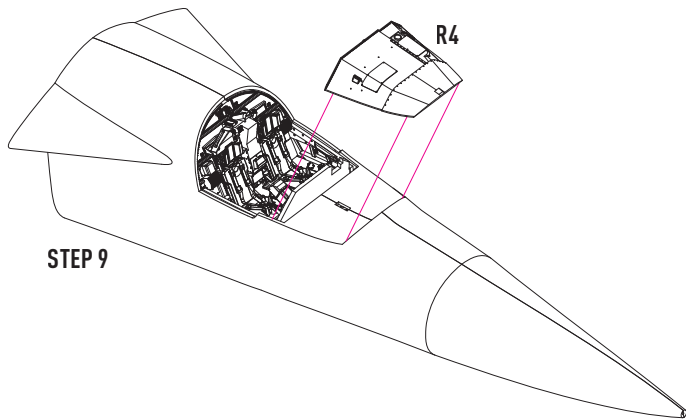
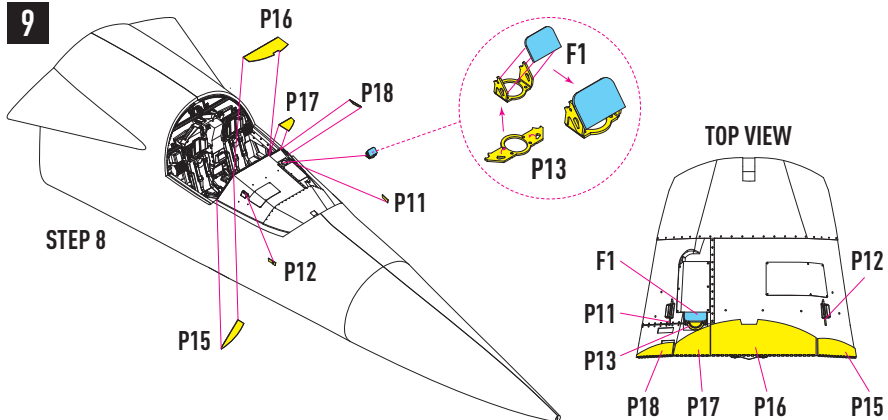




7

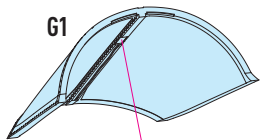
**AT THIS STAGE OF ASSEMBLY, ALSO
FOLLOW THE INSTRUCTIONS IN PARAGRAPH 4
OF THE ACADEMY KIT INSTRUCTION**



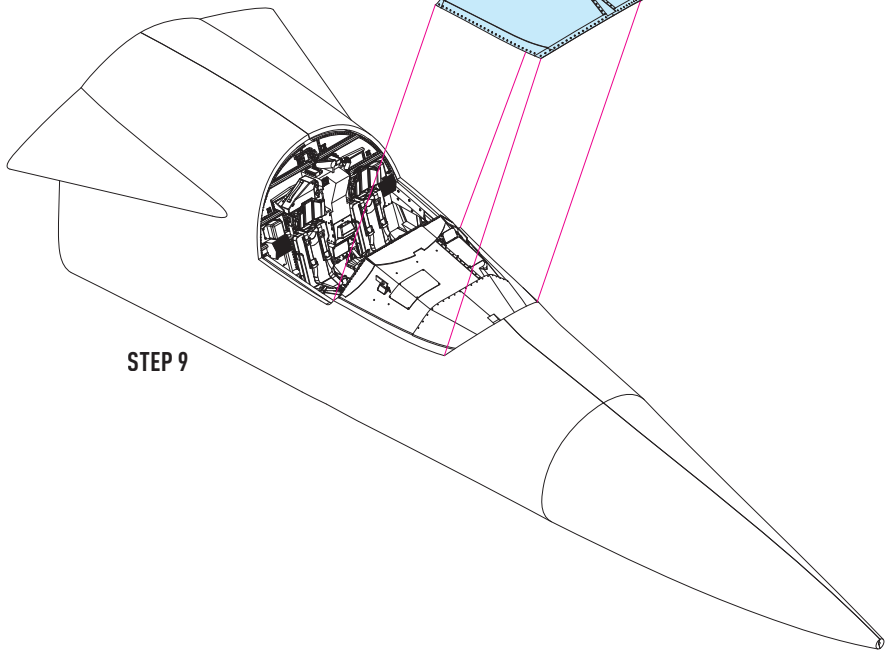
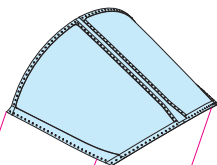
8**9**

10

G1

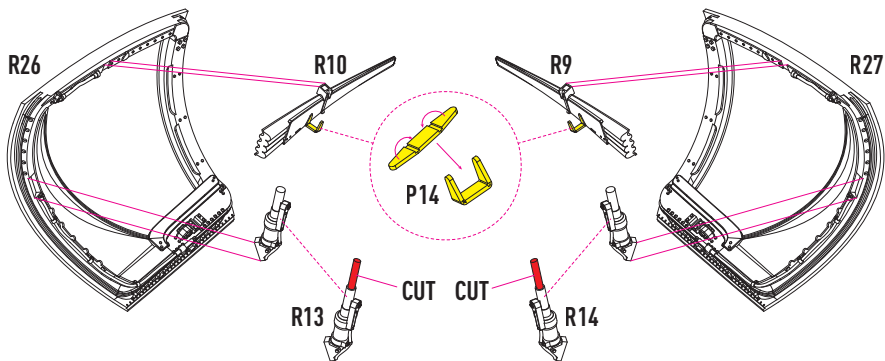


R19

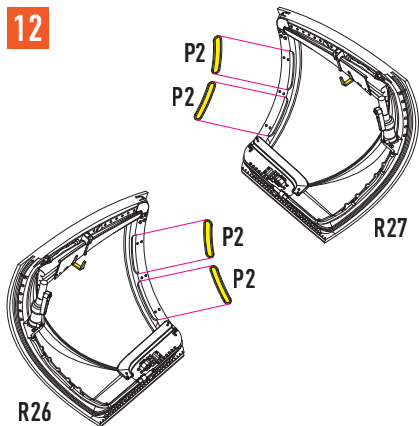


STEP 9

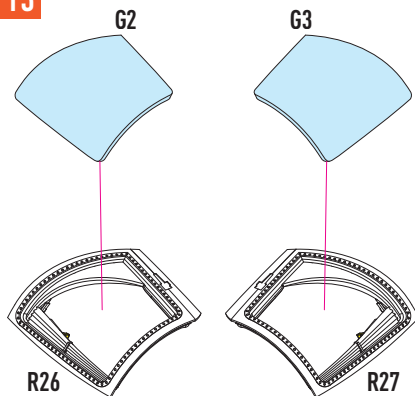
11 FOR CLOSED LANTERN

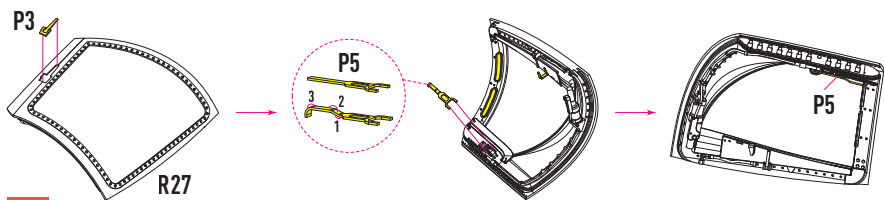


12

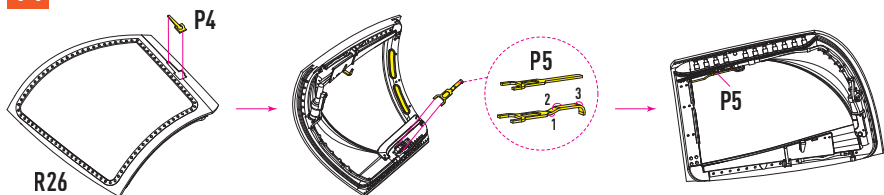


13

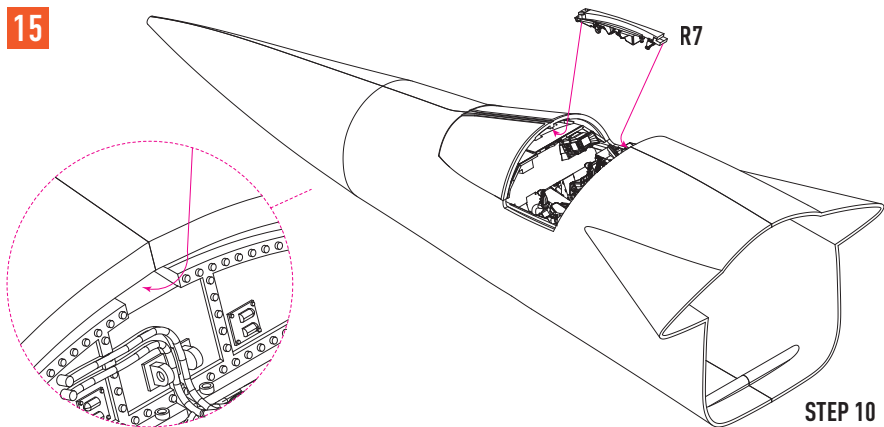




14

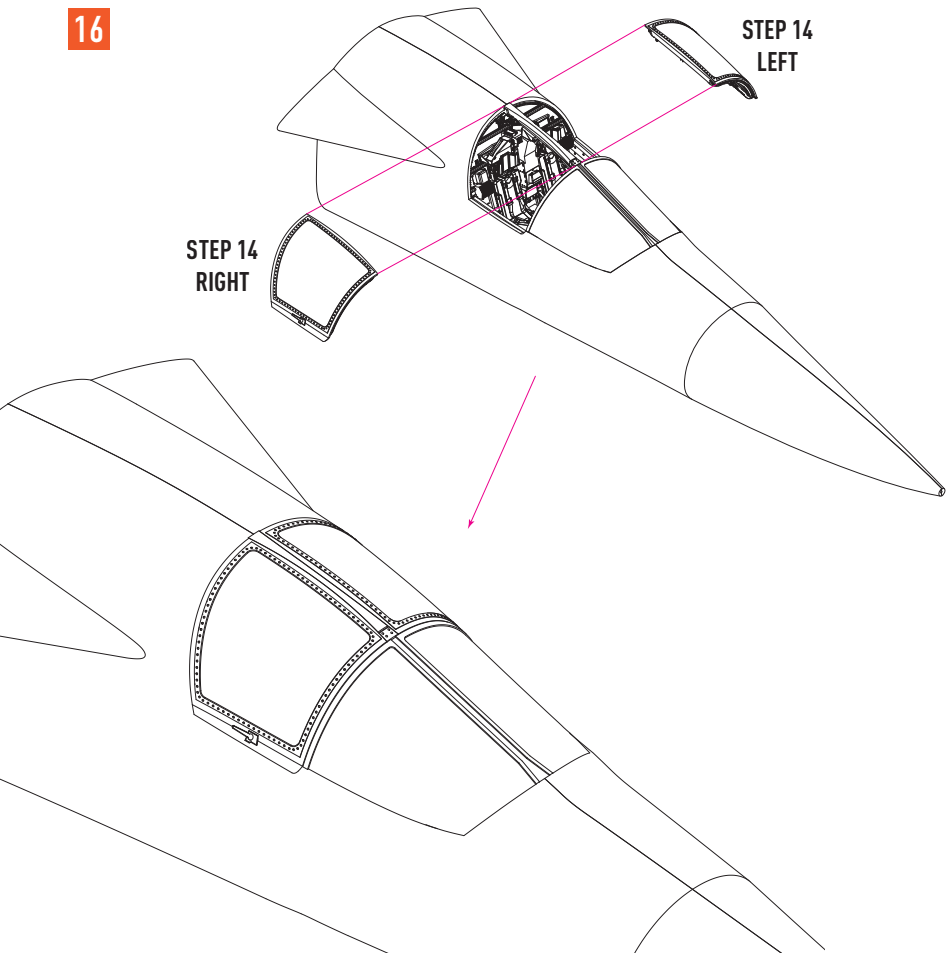


15

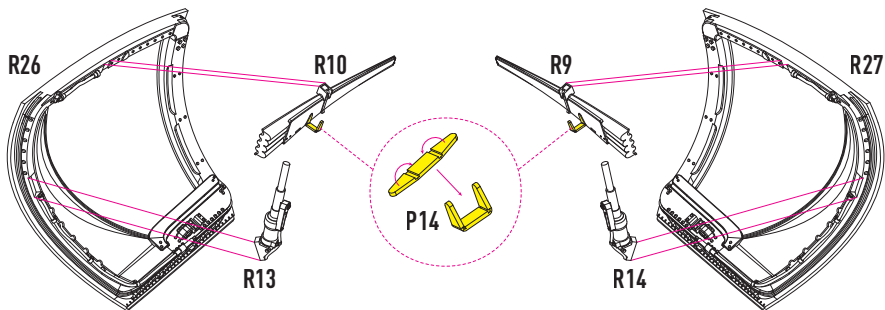


STEP 14
LEFT

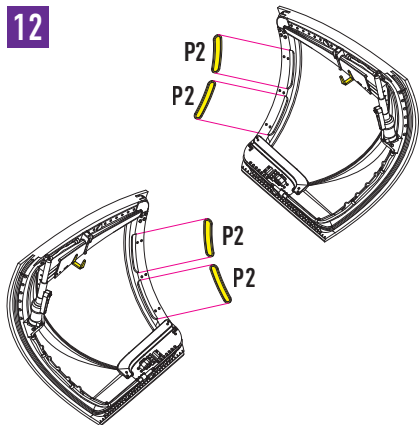
STEP 14
RIGHT



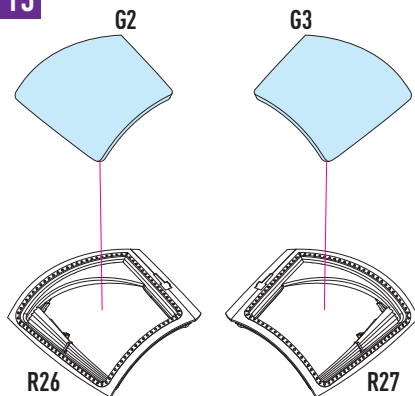
11 FOR OPEN LANTERN

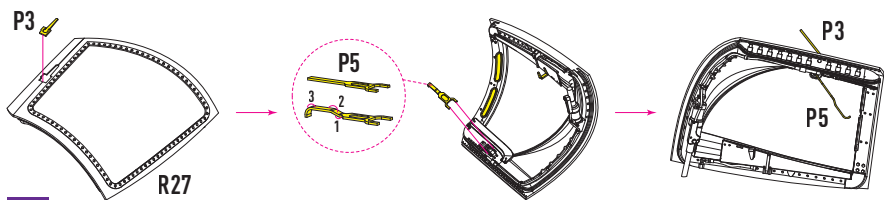


12

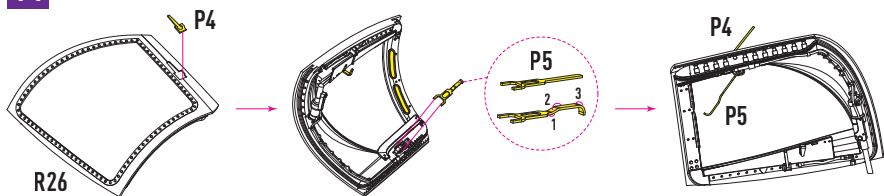


13

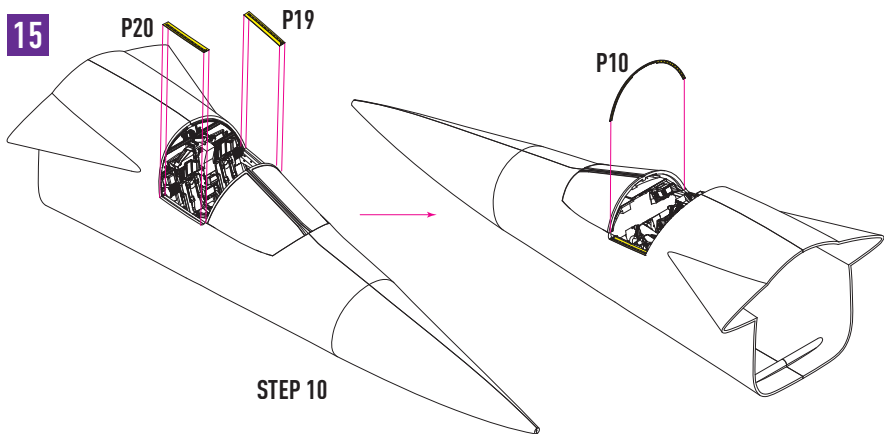




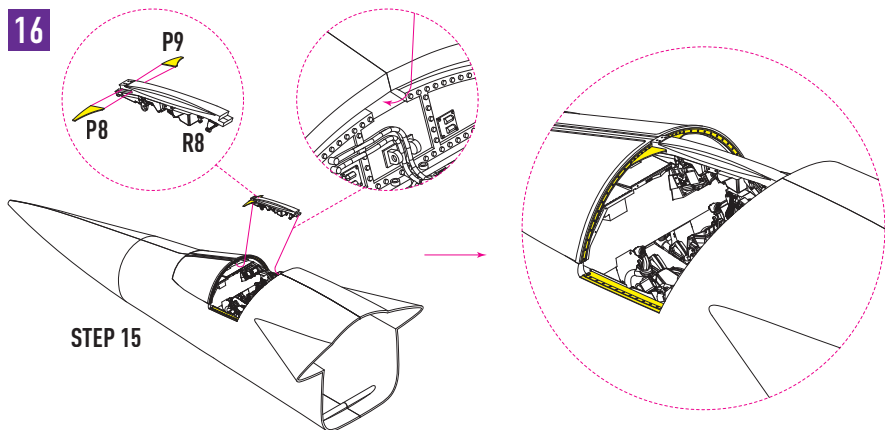
14



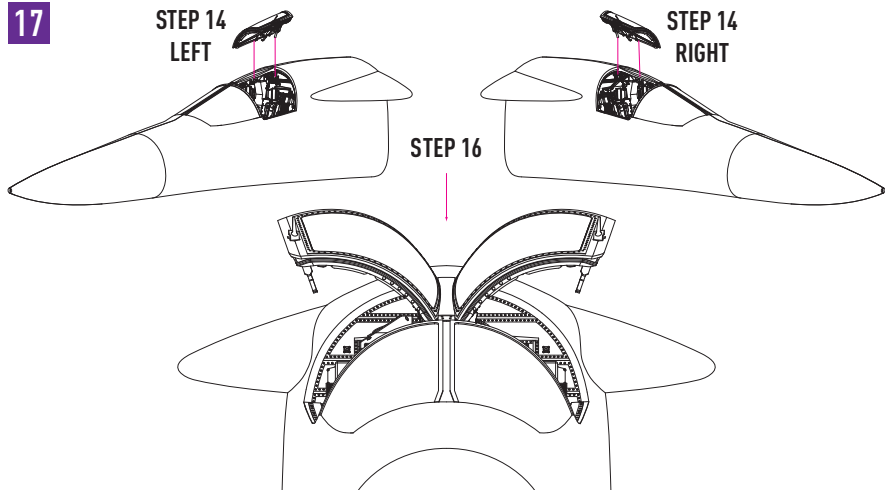
15



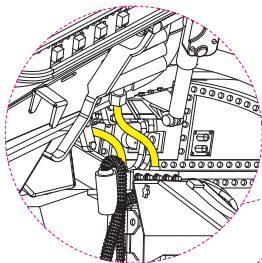
16



17



18



USE WIRE
D: 0.3 MM, L: 5 MM

