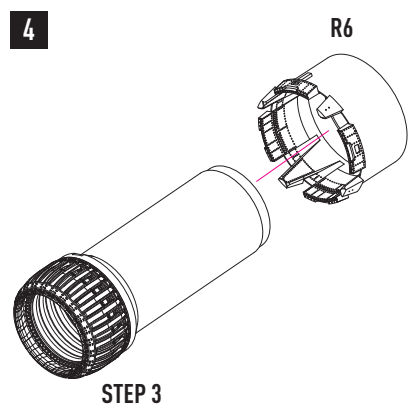
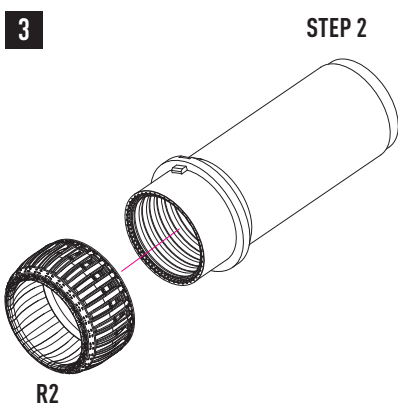
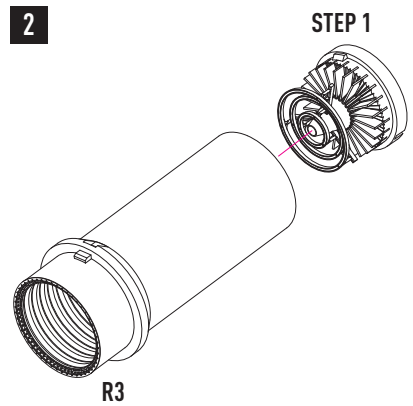
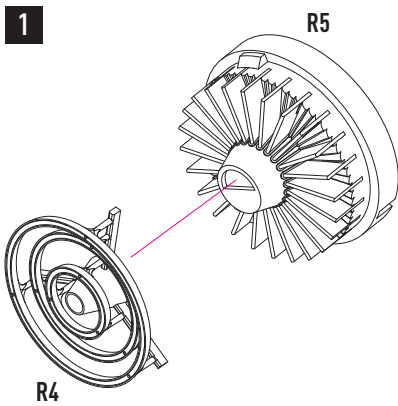
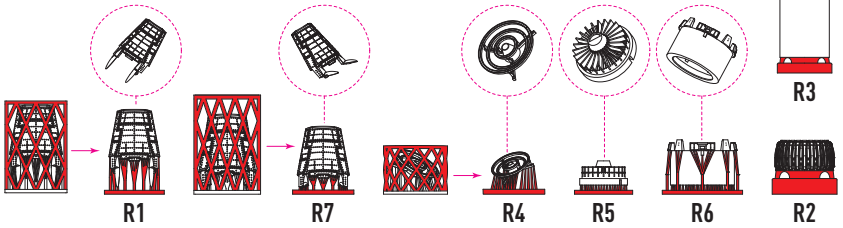


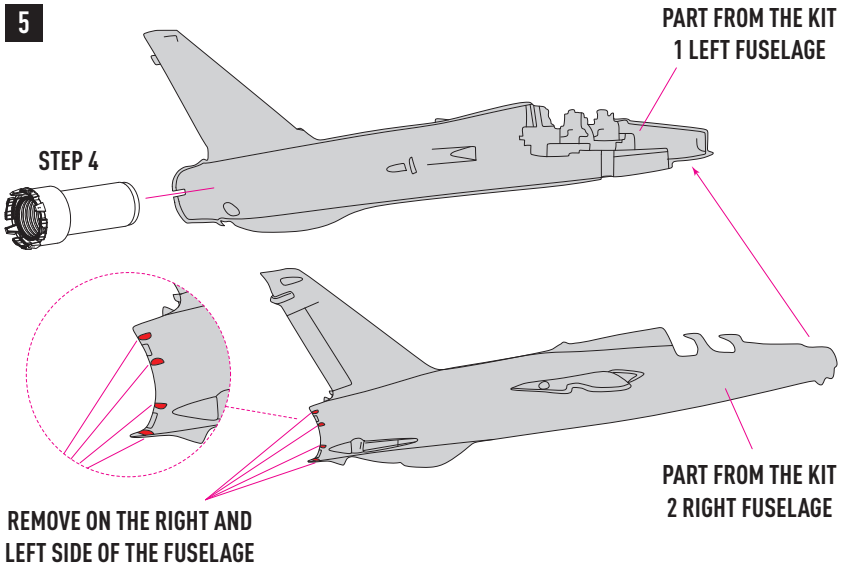
CUT

USE A SAW TO REMOVE SUPPORTS
FROM 3D PRINTED PARTS

REMOVE PROTECTIVE COVER

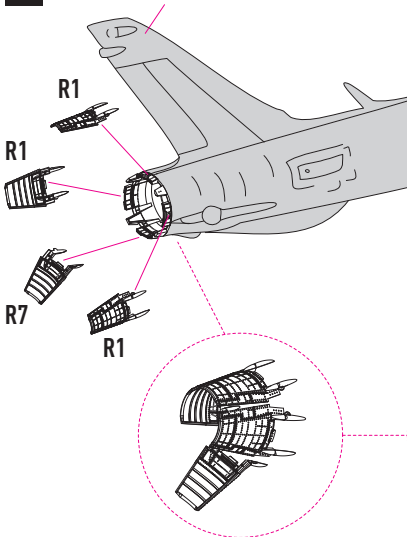


5



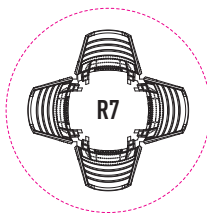
6

PART FROM THE KIT (FUSELAGE)

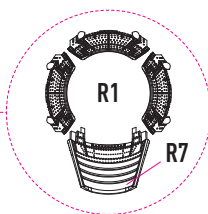


**POSITION OF THE FLAPS
OF THE OUTER NOZZLE:**

OPEN



HALF CLOSED



CLOSED

