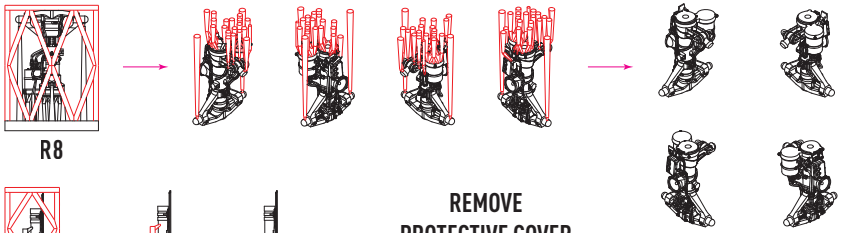
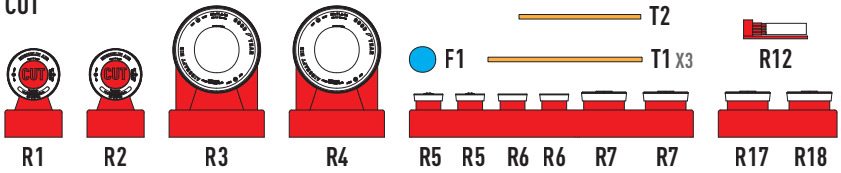
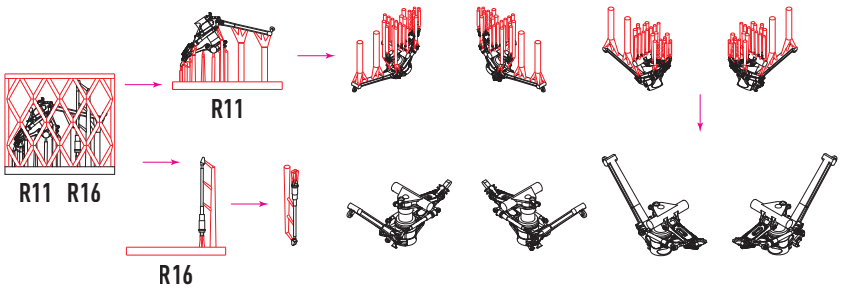
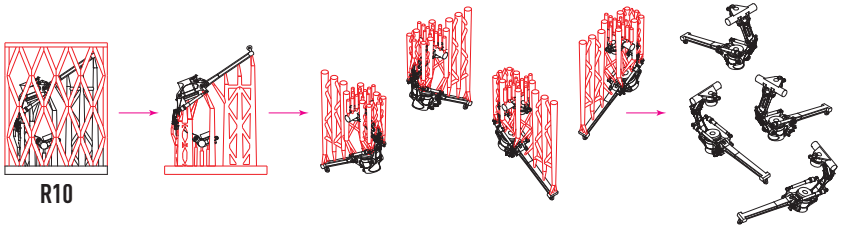
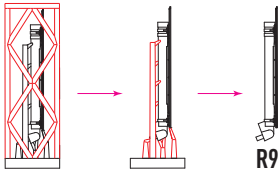


CUT

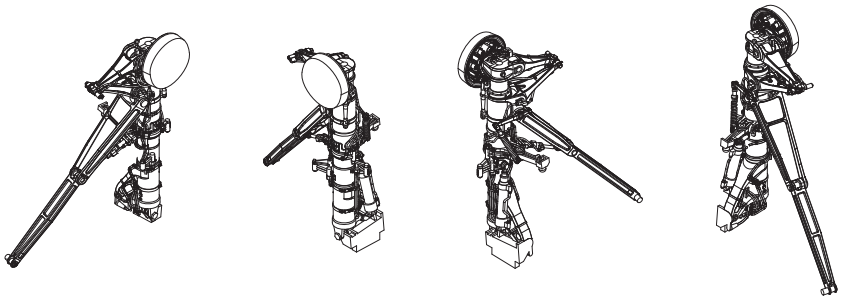
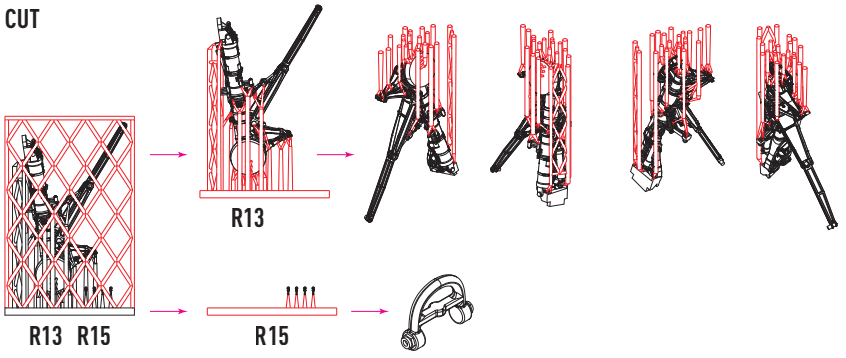


REMOVE
PROTECTIVE COVER

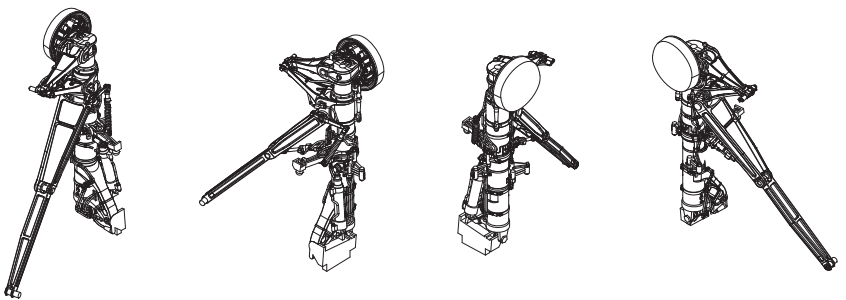
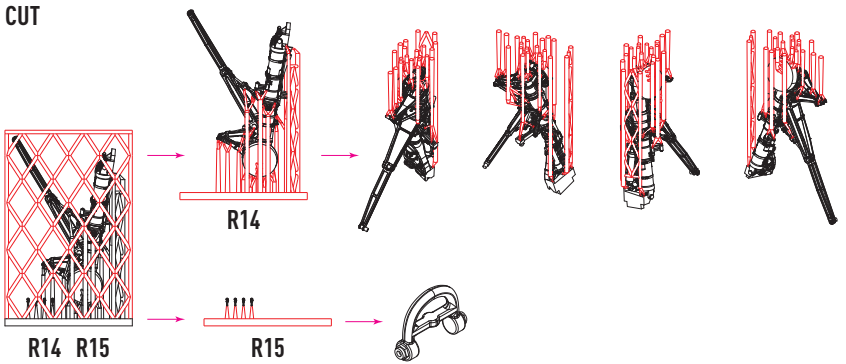
USE A SAW TO REMOVE SUPPORTS
FROM 3D PRINTED PARTS

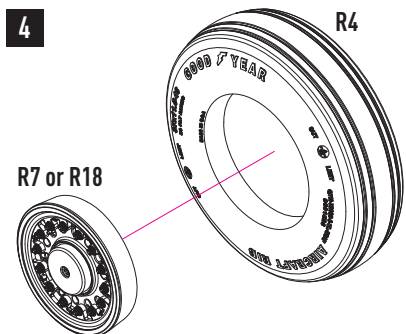
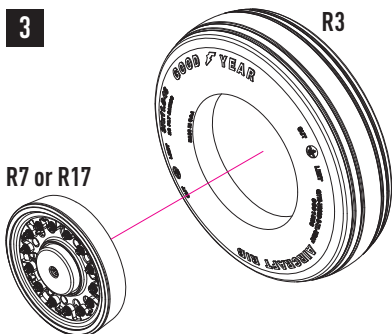
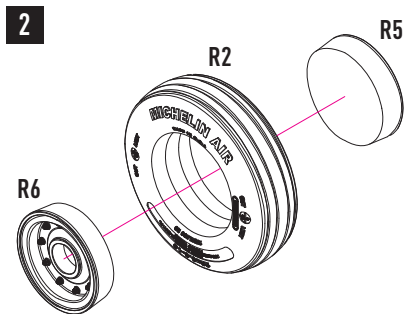
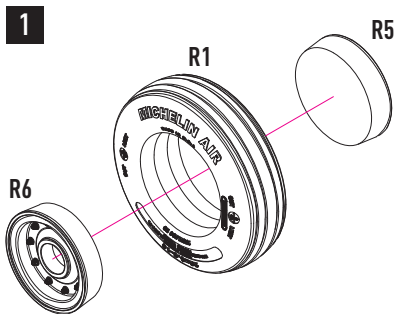


CUT

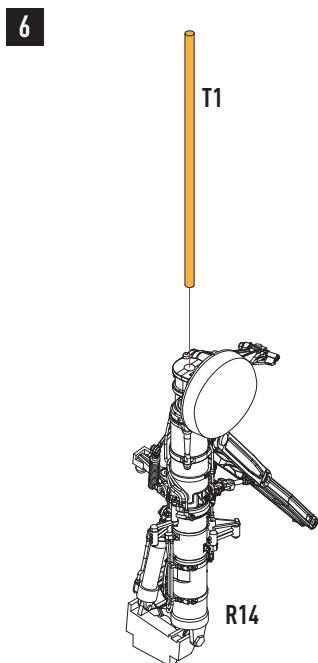
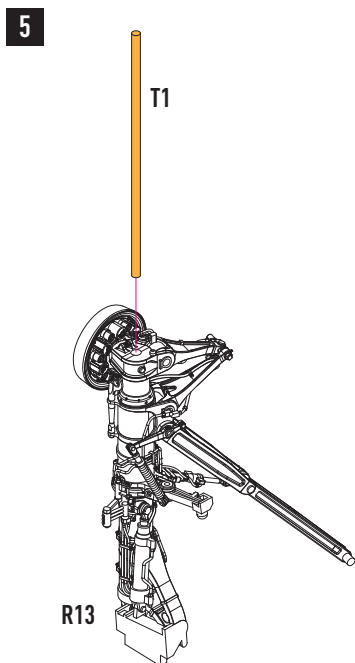


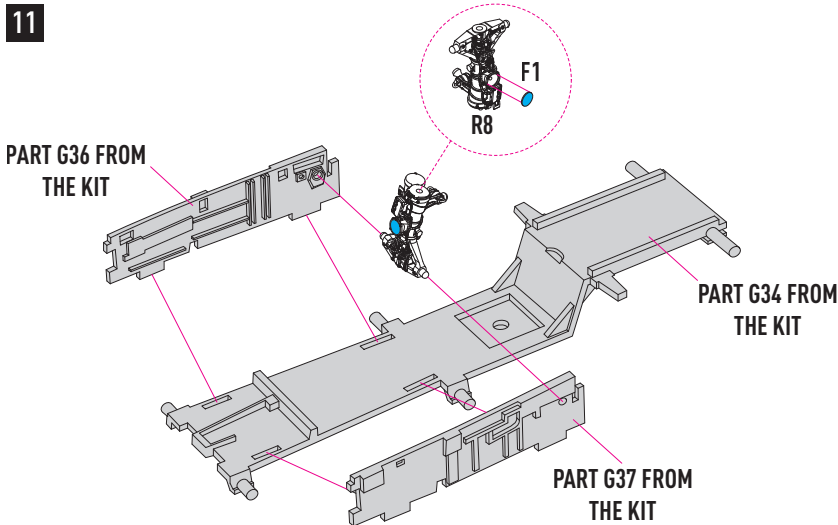
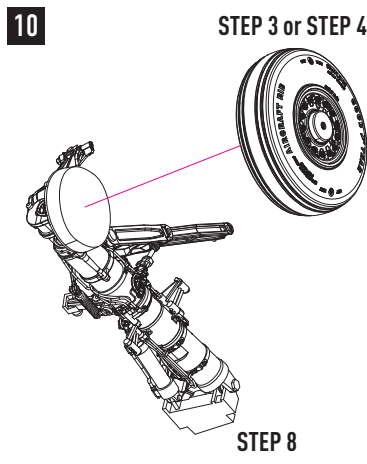
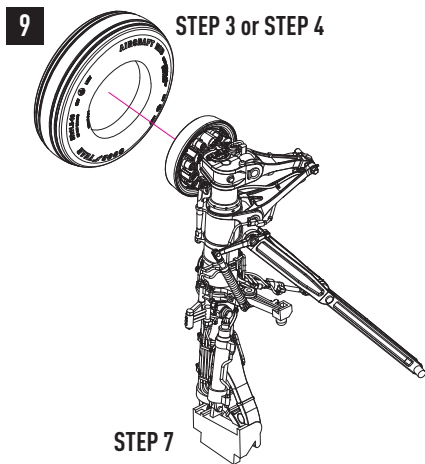
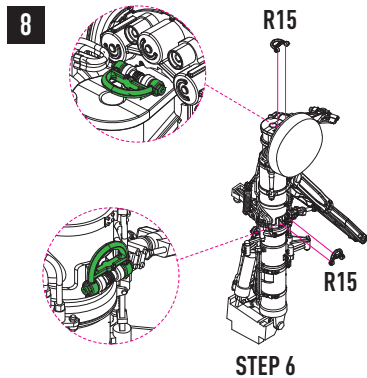
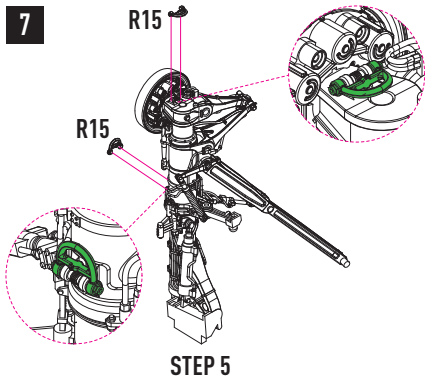
CUT



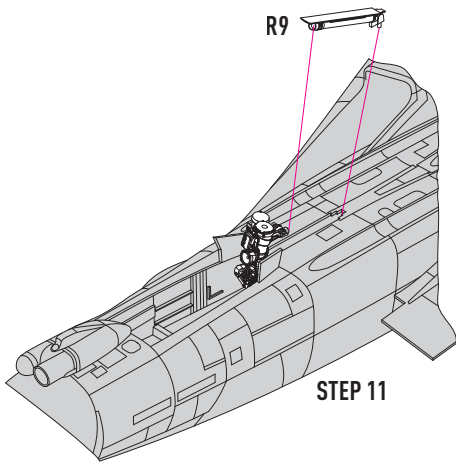


USE R7 FOR F-14D MODIFICATION / R17 AND R18 FOR F-14 (A, B) MODIFICATION

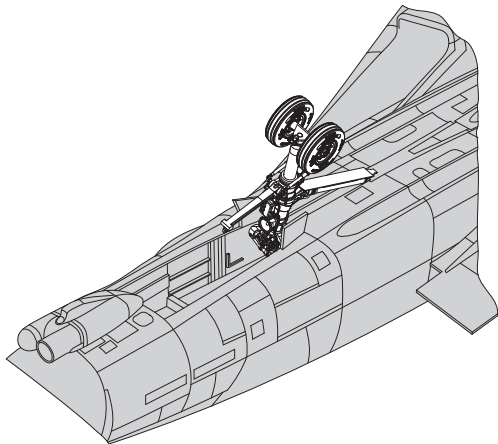
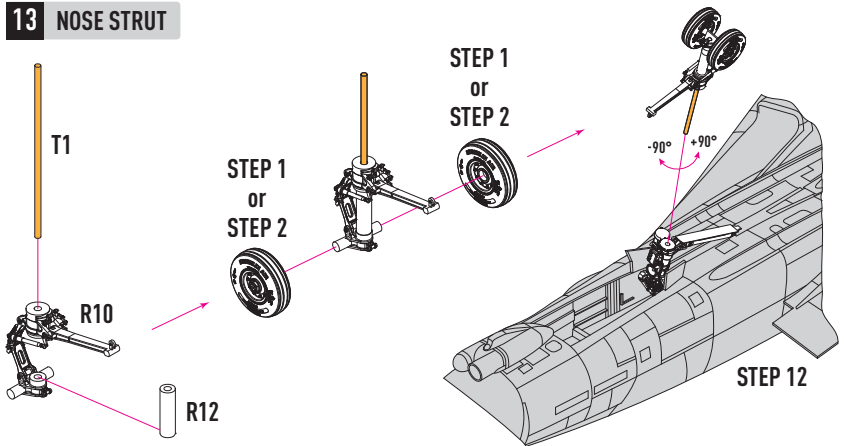




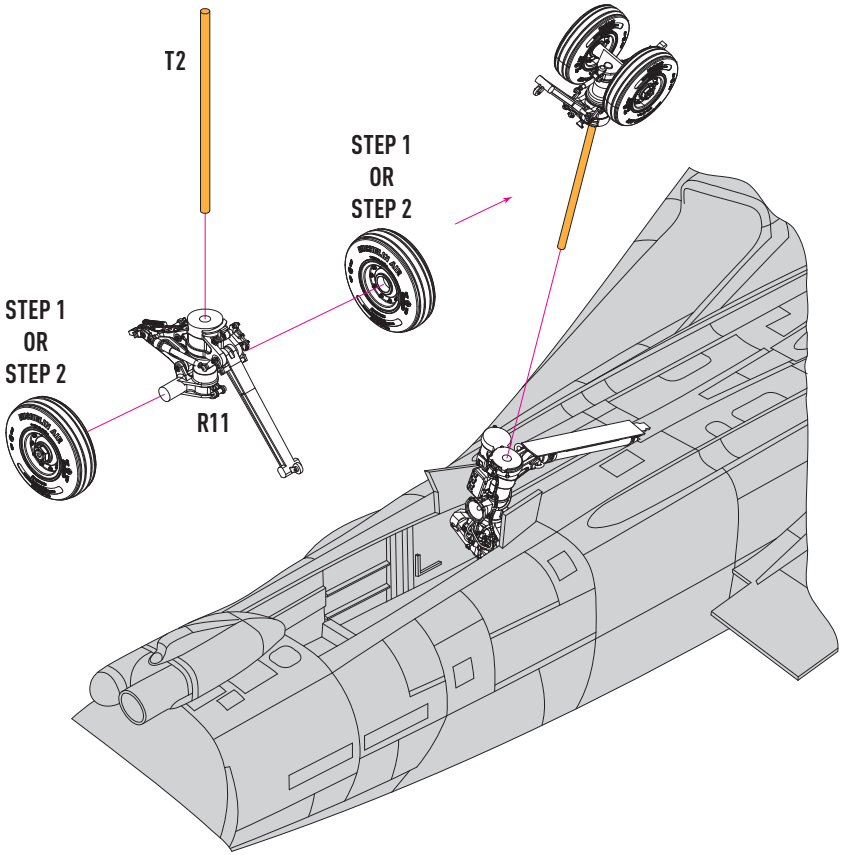
12



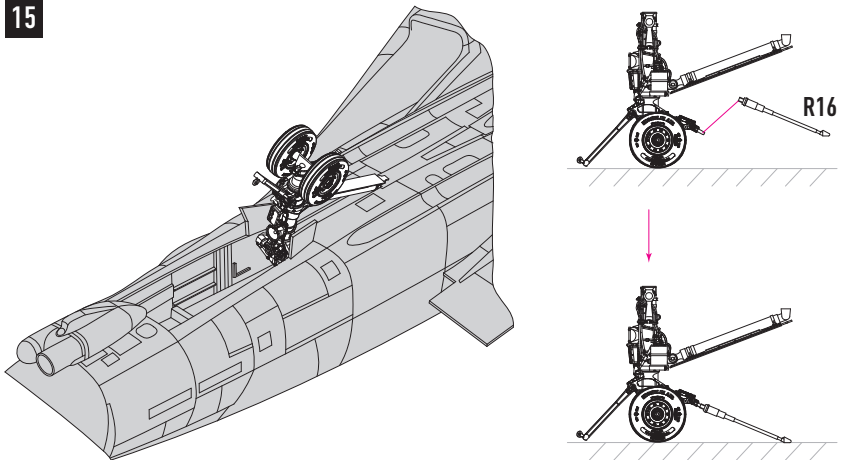
13 NOSE STRUT

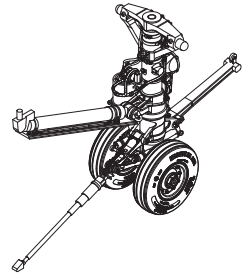
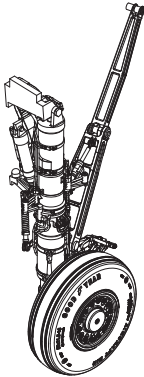
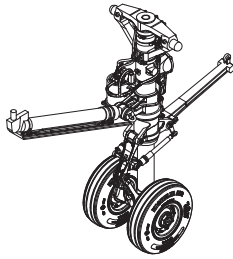
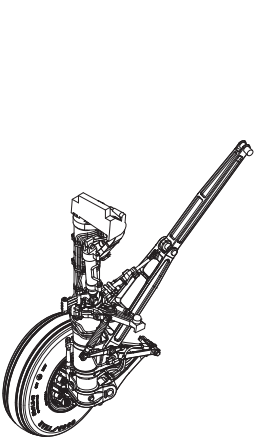
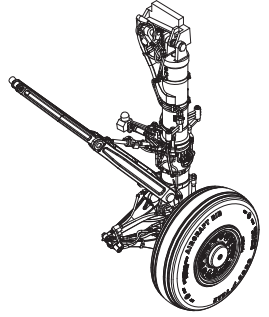
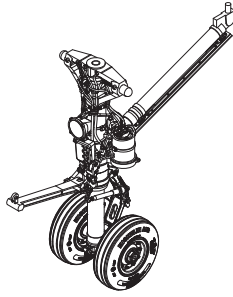
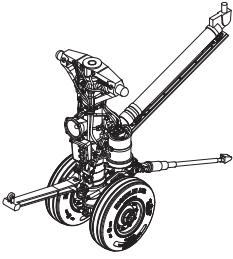
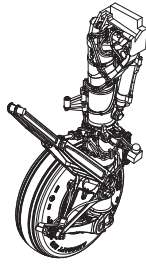


14 NOSE STRUT POSITION ON THE CATAPULT

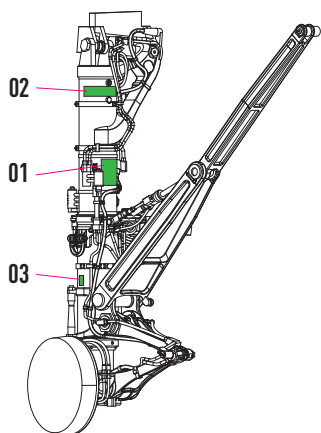


15

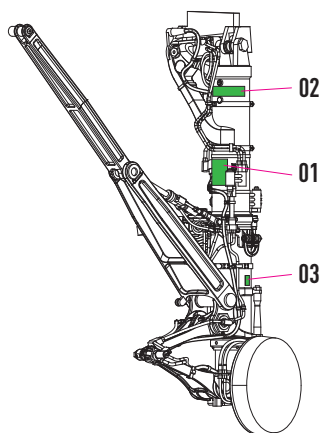




DECAL INSTRUCTION



R13



R14

