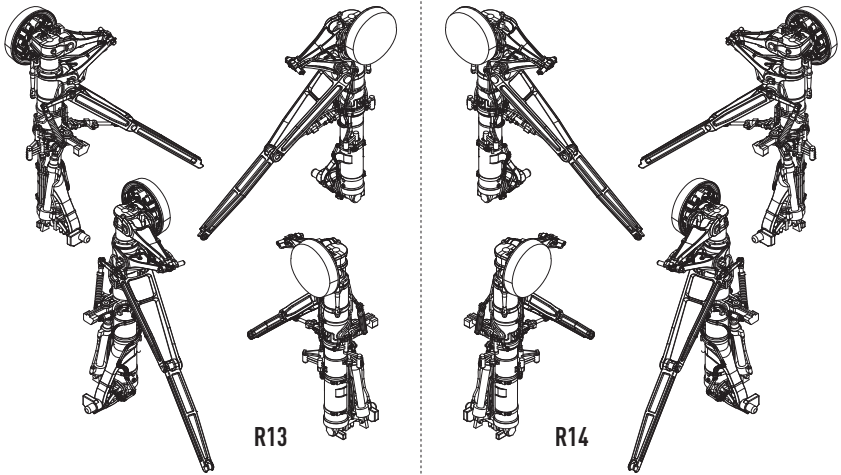
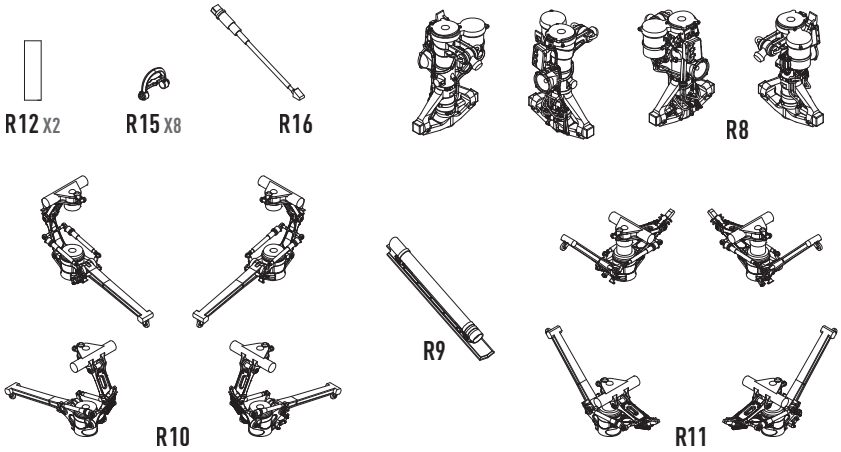
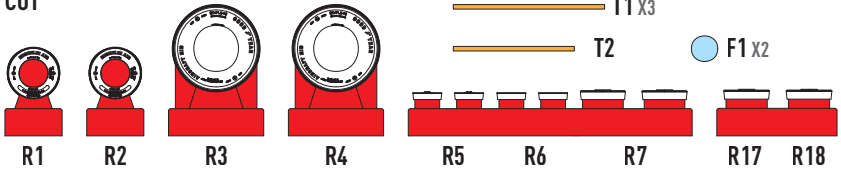
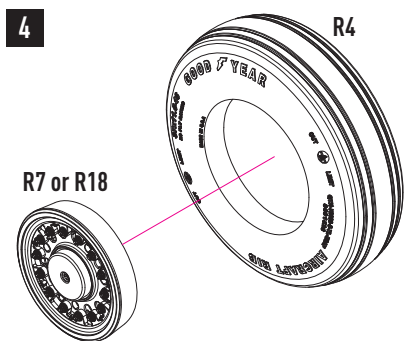
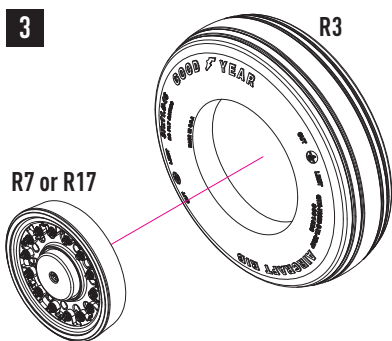
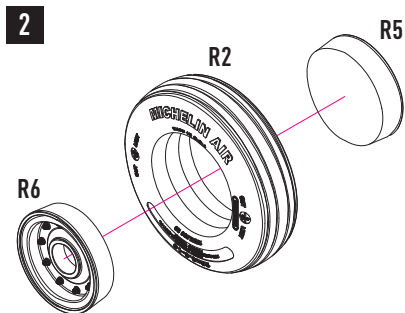
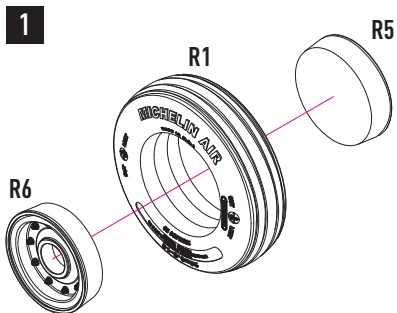
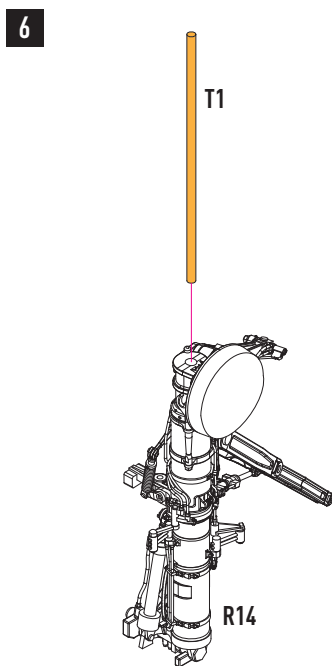
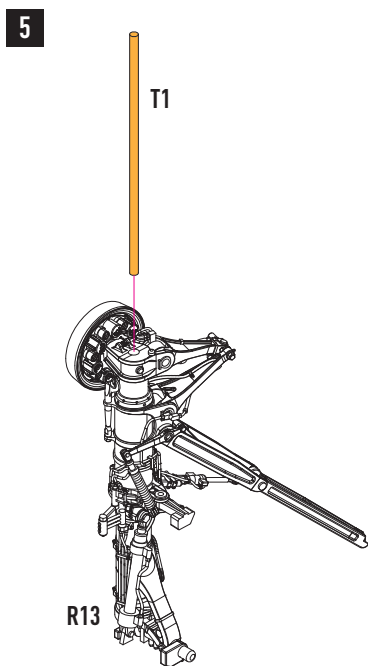


CUT

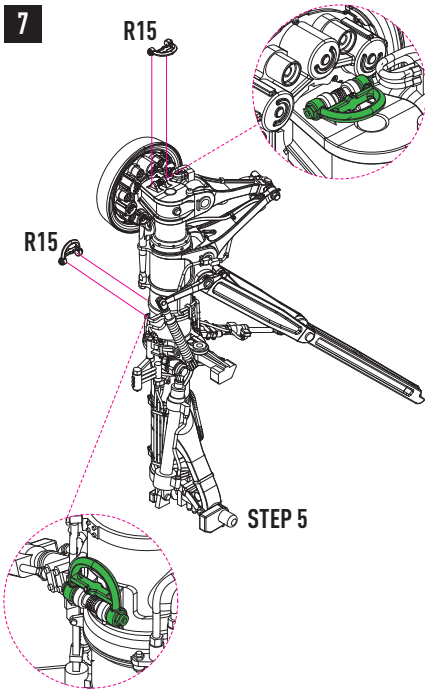




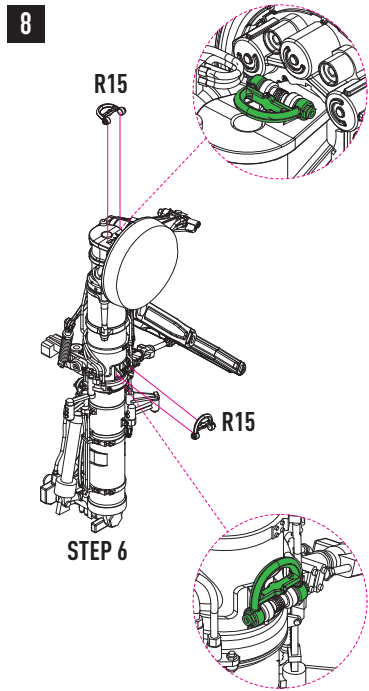
USE R7 FOR F-14D / USE R17, R18 FOR F-14A/B



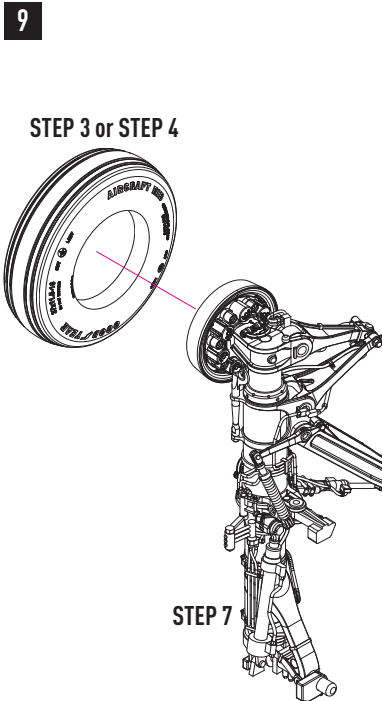
7



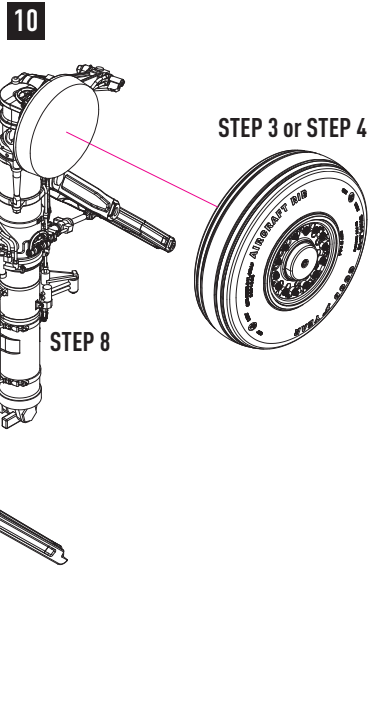
8



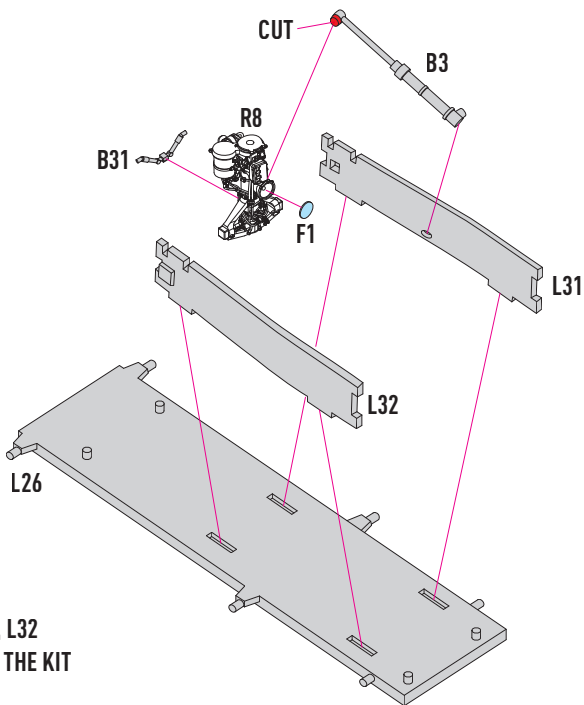
9



10

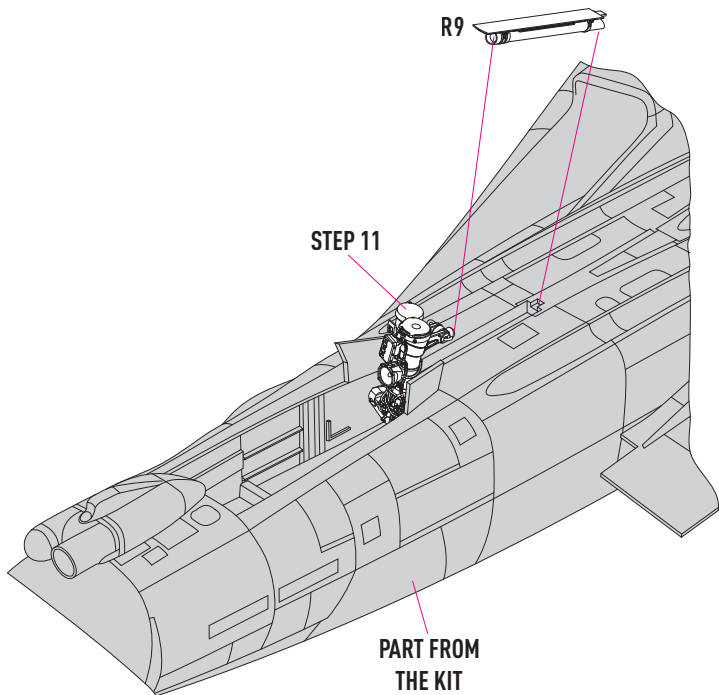


11

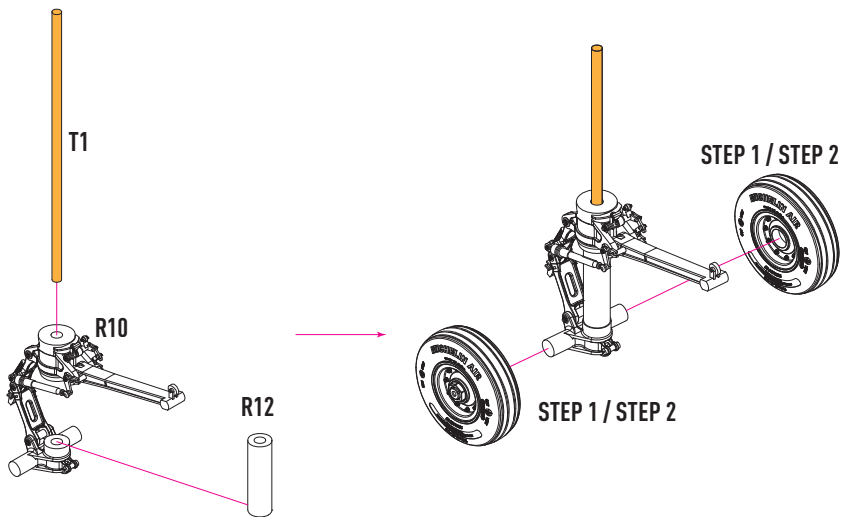


B3, B31, L31, L32
PARTS FROM THE KIT

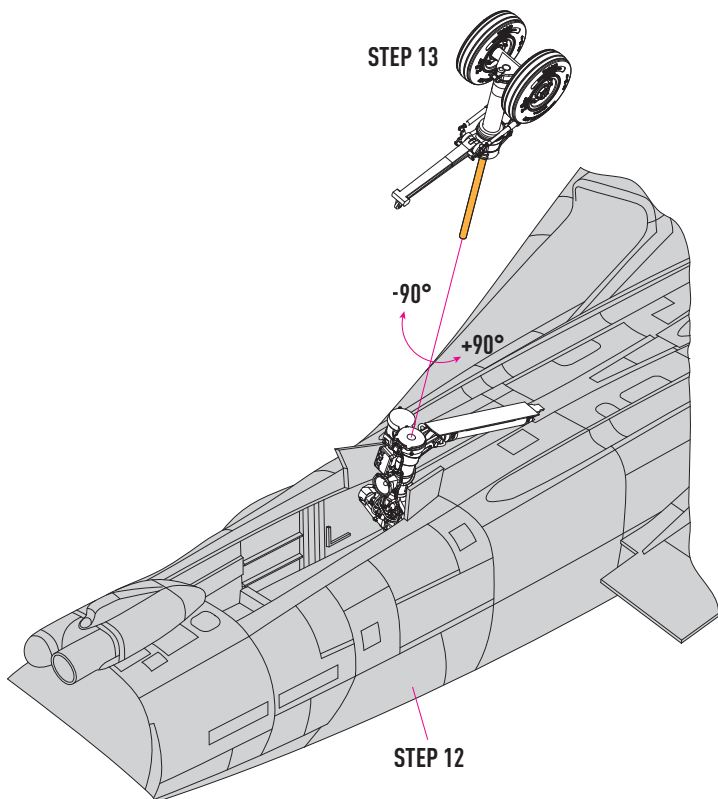
12



13 NOSE STRUT

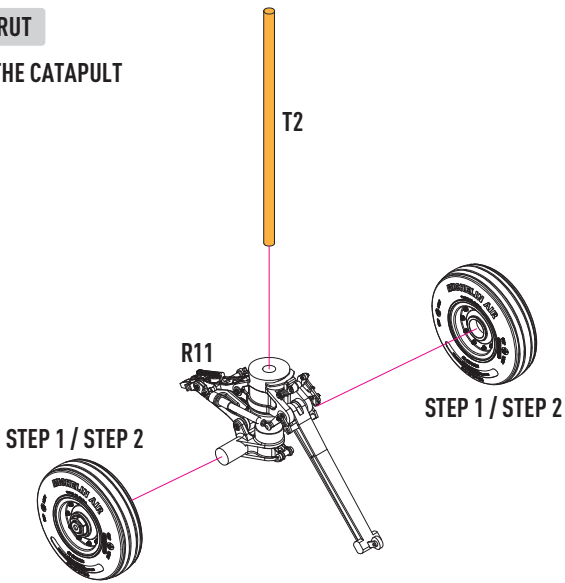


14

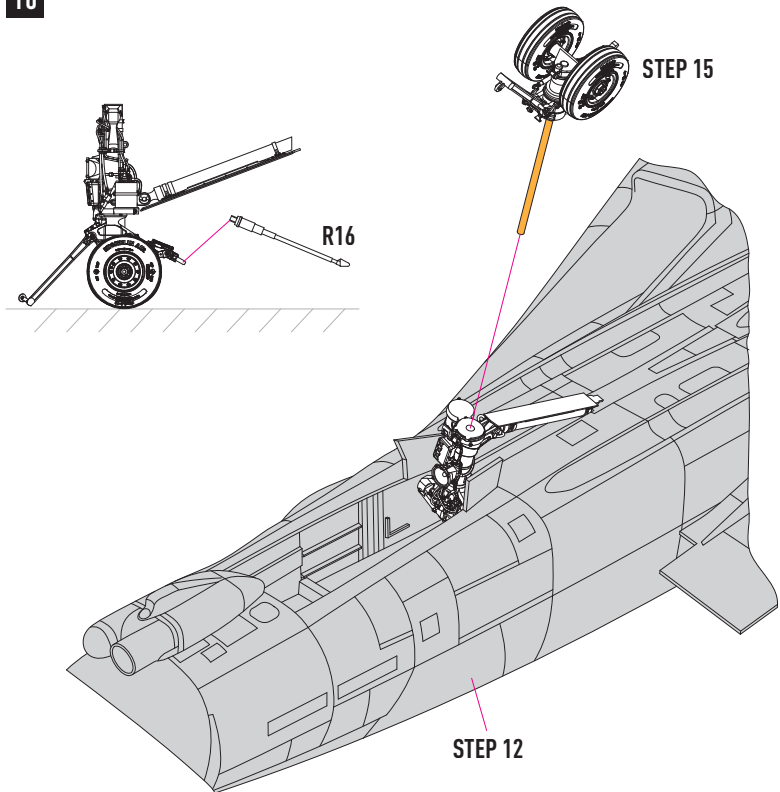


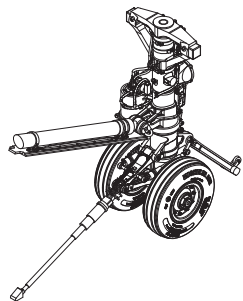
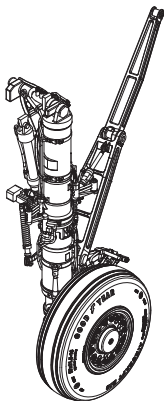
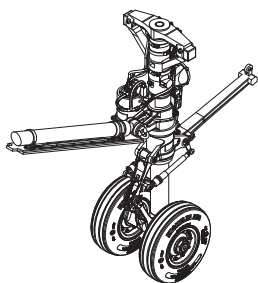
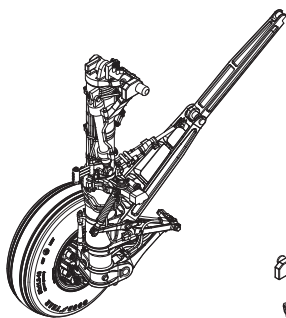
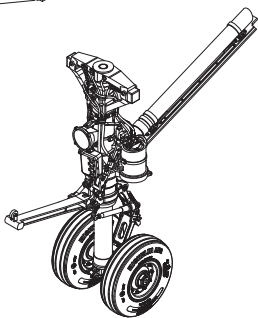
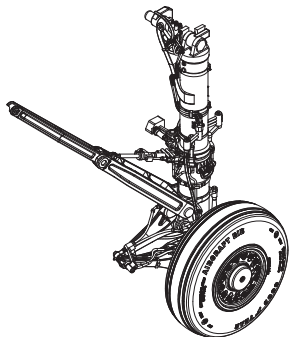
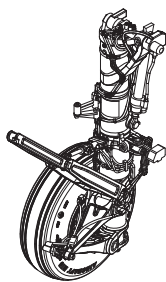
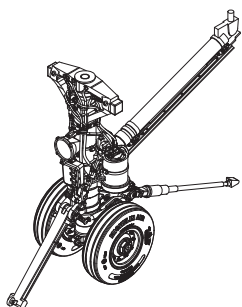
15 NOSE STRUT

POSITION ON THE CATAPULT

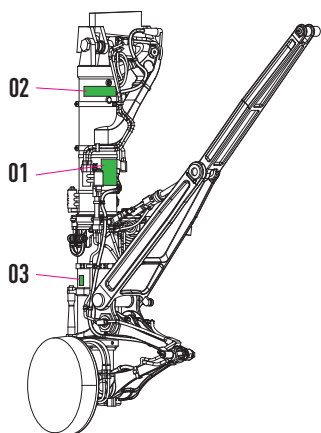


16

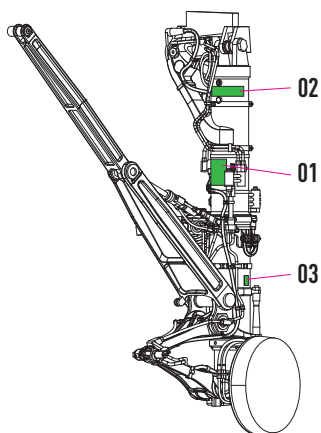




DECAL INSTRUCTION



R13



R14

