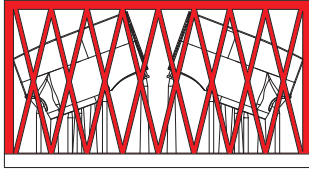
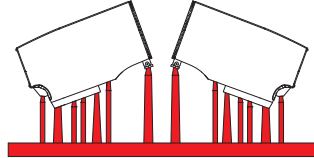


CUT

**REMOVE
PROTECTIVE COVER**



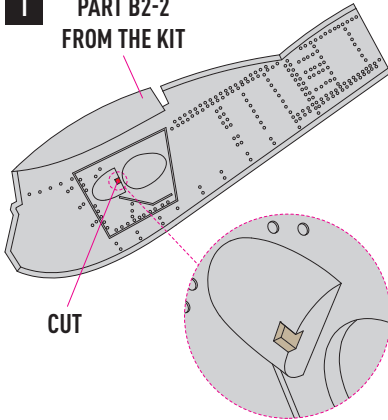
USE A SAW TO REMOVE SUPPORTS
FROM 3D PRINTED PARTS



R1

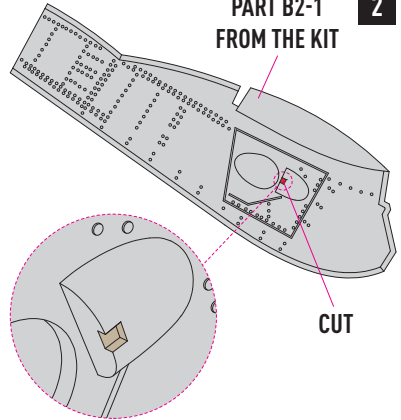
R1

1 PART B2-2
FROM THE KIT



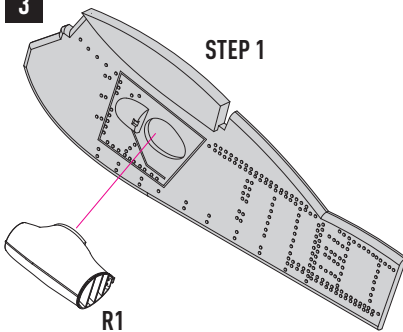
CUT

2 PART B2-1
FROM THE KIT



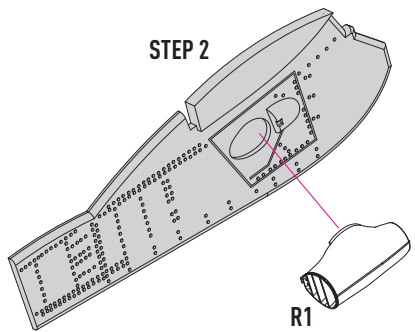
CUT

3 STEP 1



R1

STEP 2



R1