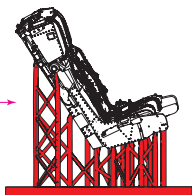
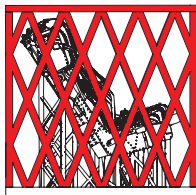
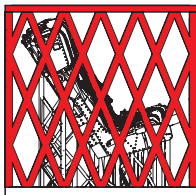
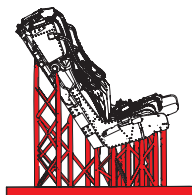


**REMOVE
PROTECTIVE COVER**

**USE A SAW TO REMOVE SUPPORTS
FROM 3D PRINTED PARTS**



R1 (FIRST PILOT)



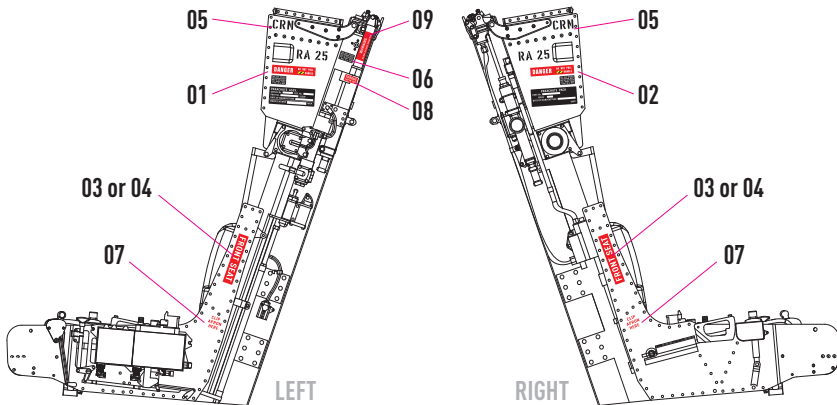
R2 (SECOND PILOT)



RESIN PARTS
FOR SCALE PLASTIC KITS

EJECTION SEATS MB MK.10B FOR HAWK T.1A

DECAL INSTRUCTION **RSU48-0269**



general issues: info@reskit.com.ua / claim resolution: claims@reskit.com.ua

RESKIT-MODELS.COM

fb.com/reskit.official

instagram.com/reskit_official

pinterest.com/reskit_official