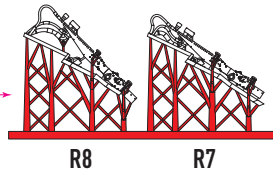
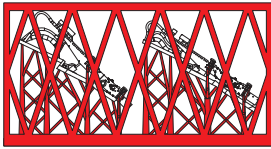
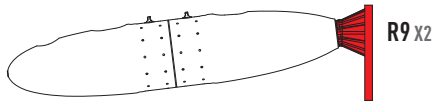
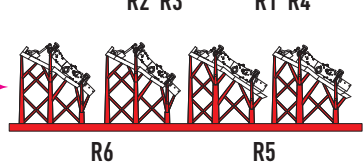


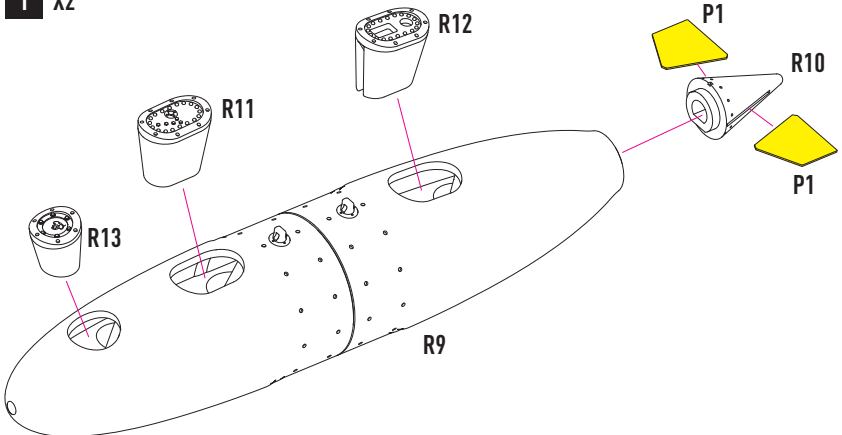
CUT

REMOVE PROTECTIVE COVER

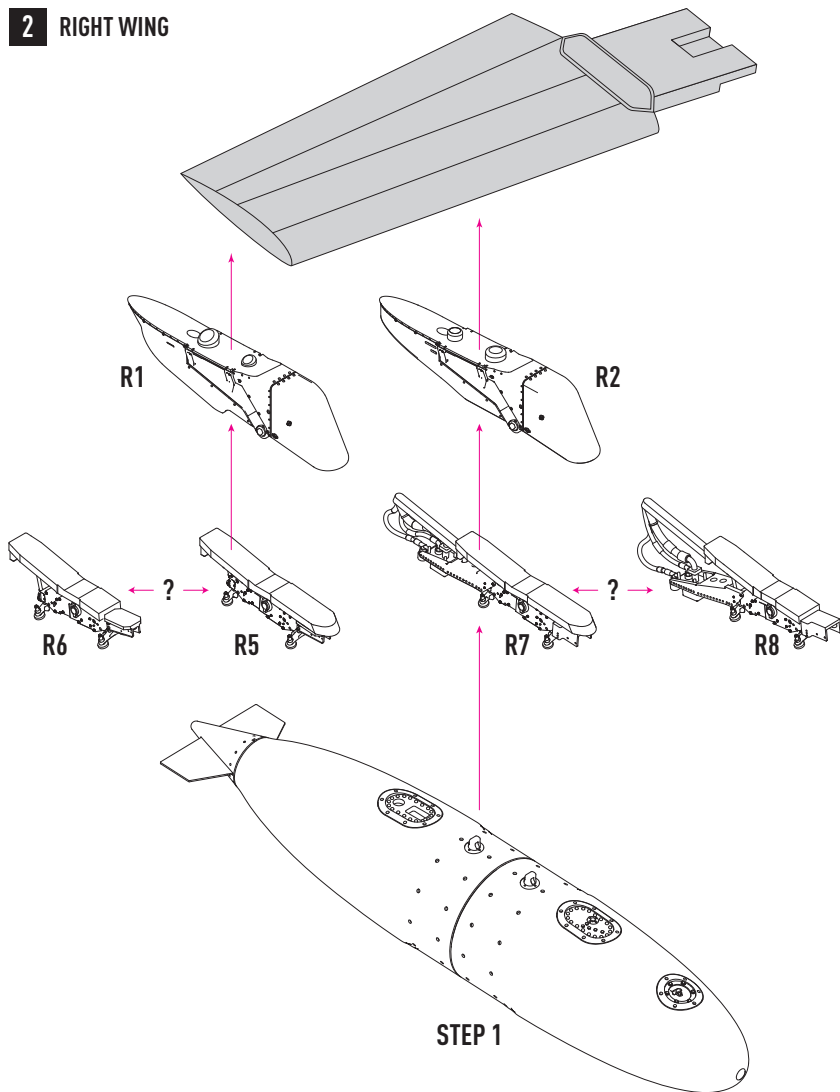
USE A SAW TO REMOVE SUPPORTS
FROM 3D PRINTED PARTS



1 X2

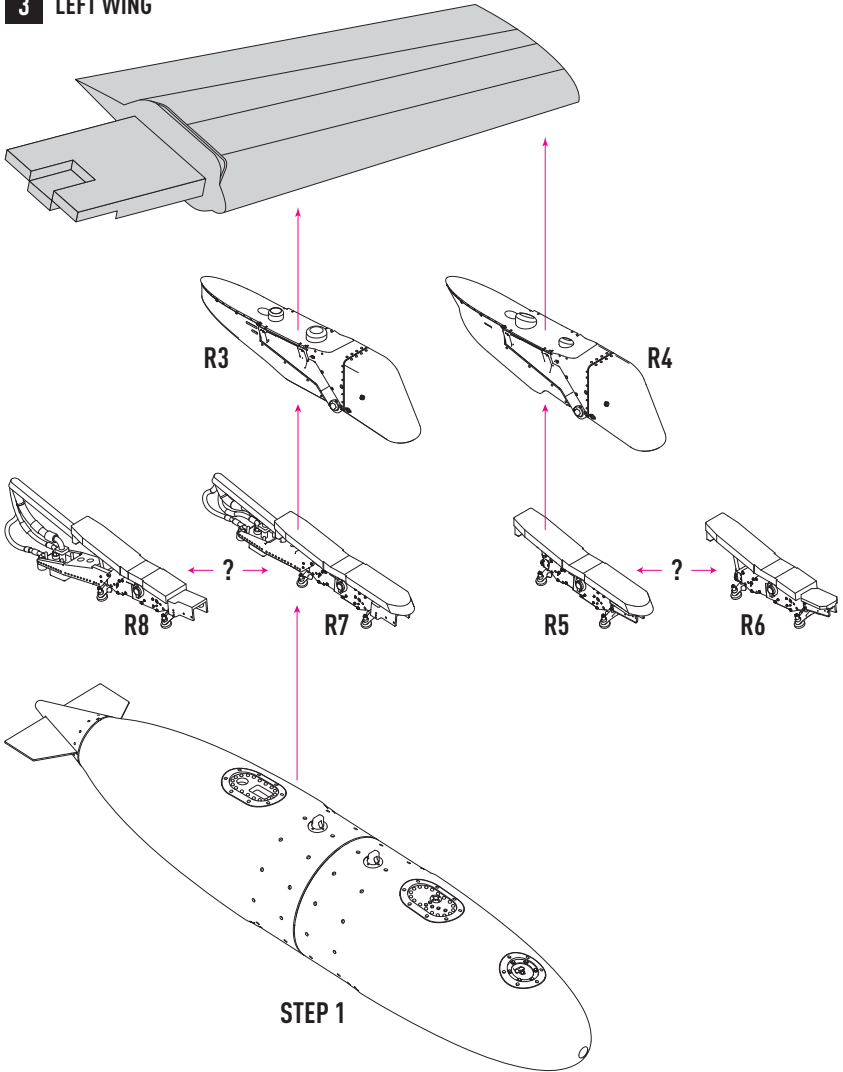


2 RIGHT WING



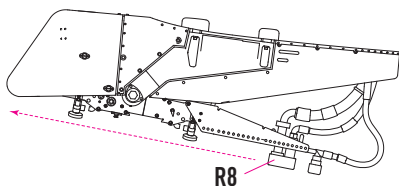
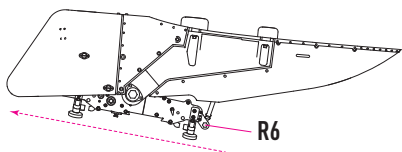
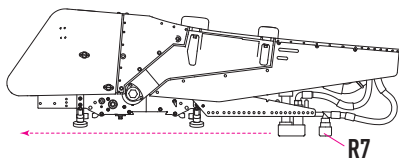
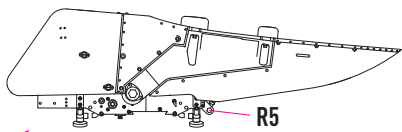
R5 - LOADING WEAPONS, R6 - LOADED IN PARKING POSITION
R7 - LOADING WEAPONS, R8 - LOADED IN PARKING POSITION FOR FUEL TANKS

3 LEFT WING



R5 - LOADING WEAPONS, R6 - LOADED IN PARKING POSITION
R7 - LOADING WEAPONS, R8 - LOADED IN PARKING POSITION FOR FUEL TANKS

LEFT VIEW



COLORS	QUINZE / ABOUSS	QUINZE / MR.COLOR	FEDERAL STANDARD
OLIVE DRAB	H304	C304	FS 34087
SILVER	H8	C8	
RED	H3	C3	

DECAL AND PAINT INSTRUCTION

