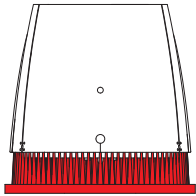
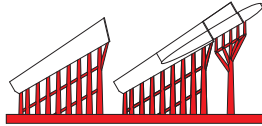


### CUT

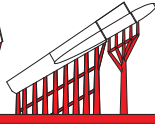
 USE A SAW TO REMOVE SUPPORTS FROM 3D PRINTED PARTS



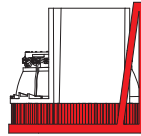
R1



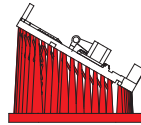
R2



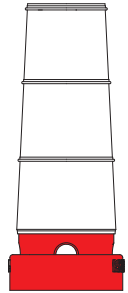
R3



R5

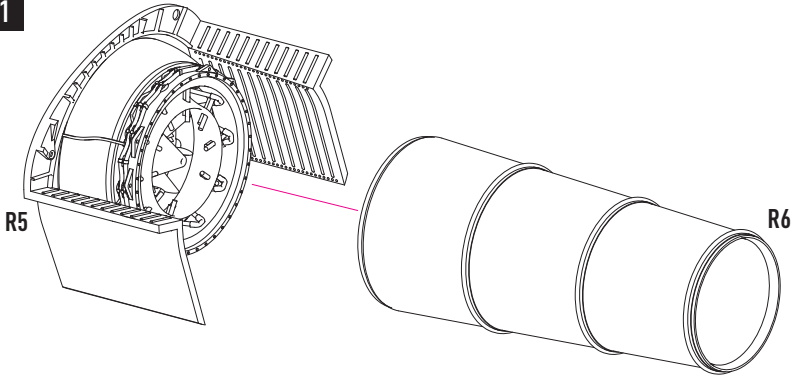


R4

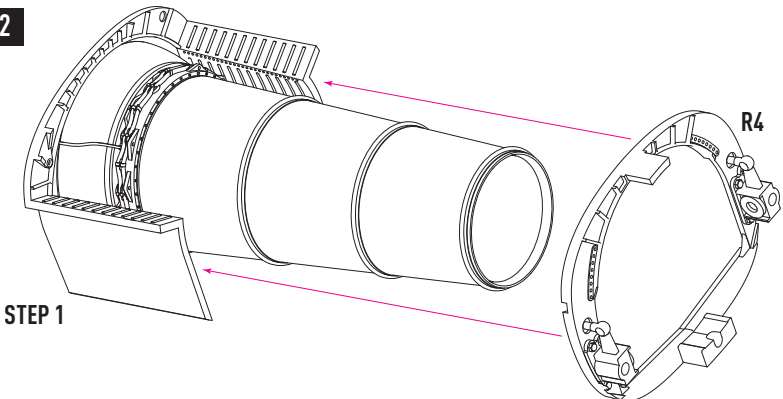


R6

### 1



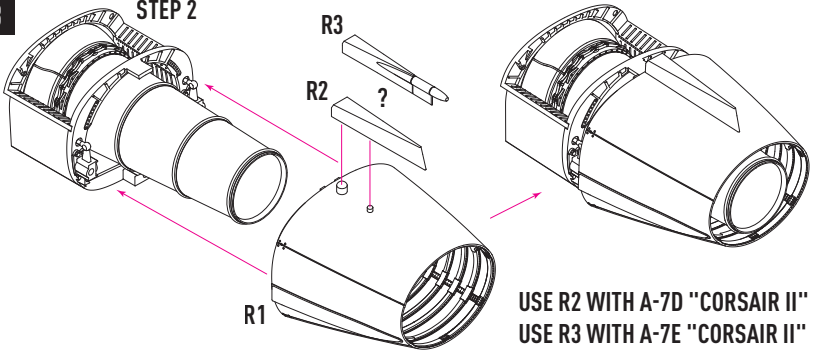
### 2



### STEP 1

**3**

**STEP 2**



USE R2 WITH A-7D "CORSAIR II"  
USE R3 WITH A-7E "CORSAIR II"

