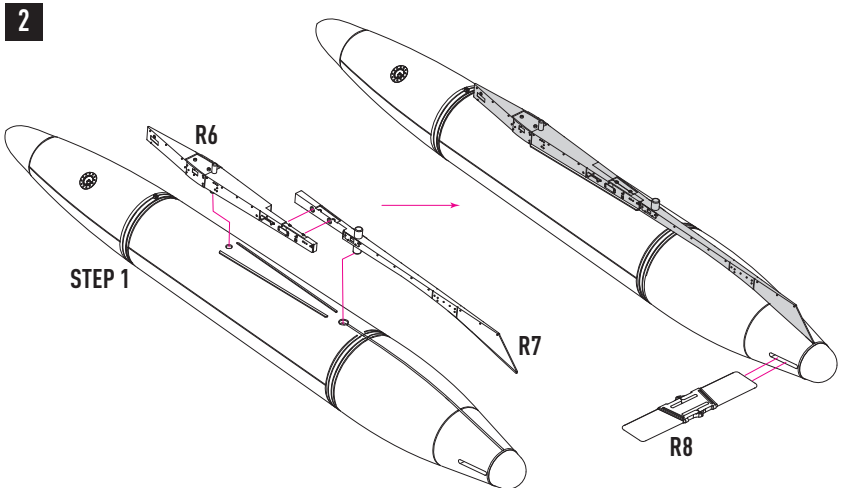
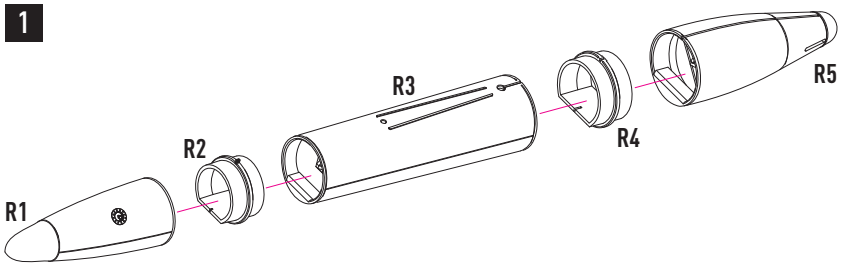
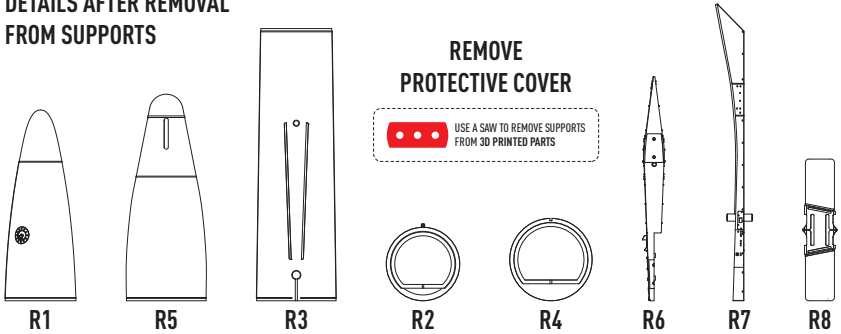


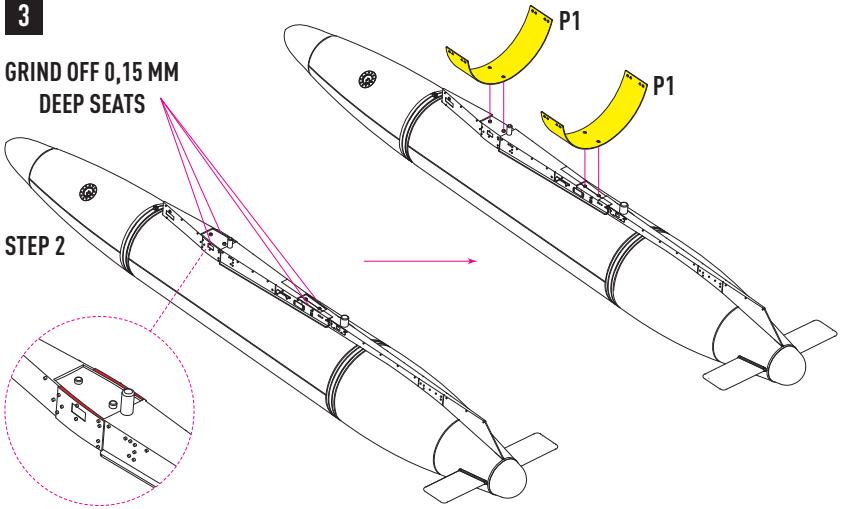
DETAILS AFTER REMOVAL FROM SUPPORTS



3

**GRIND OFF 0,15 MM
DEEP SEATS**

STEP 2



02

03

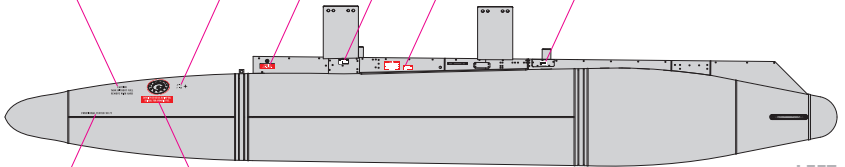
05

06

07

08

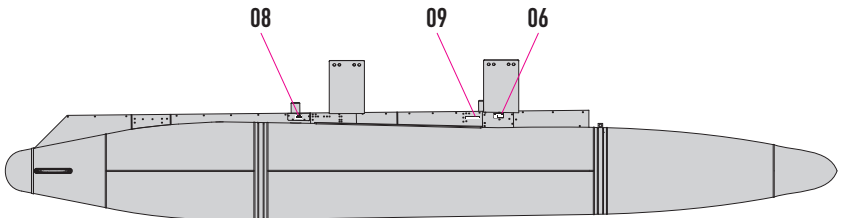
DECAL INSTRUCTION



LEFT

04

01



RIGHT

PAINT FUEL TANK IN THE COLOR OF THE AIRCRAFT