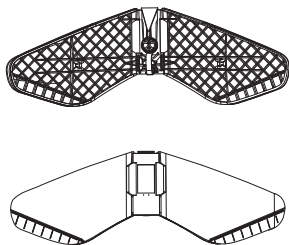
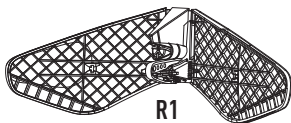
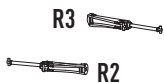
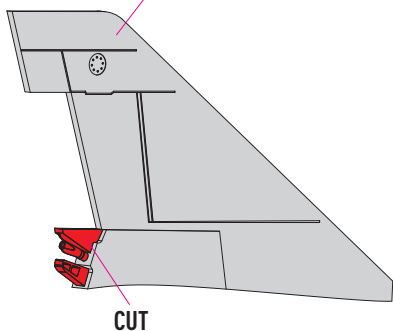


### DETAIL AFTER REMOVAL FROM SPRUES

USE A SAW TO REMOVE SUPPORTS  
FROM 3D PRINTED PARTS



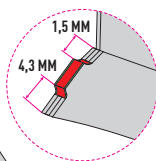
### 1 1-2 PARTS FROM THE KIT



### 2

#### STEP 1

DRILL A THROUGH HOLE  
LEAVING A 0.6 MM EDGE



### 3

