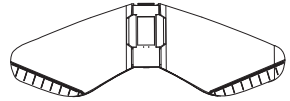
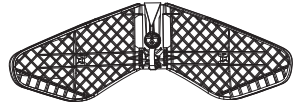
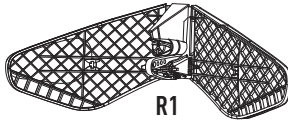


DETAIL AFTER REMOVAL
FROM SPRUES

USE A SAW TO REMOVE SUPPORTS
FROM 3D PRINTED PARTS

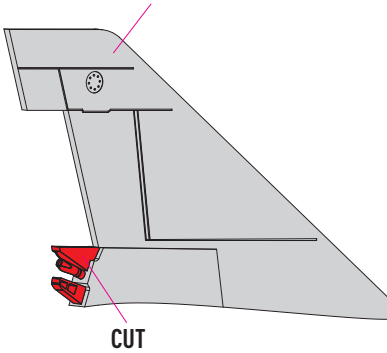


R2



R1

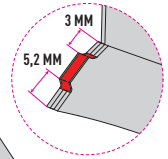
1 B15-B16 PARTS FROM
TRUMPETER KIT



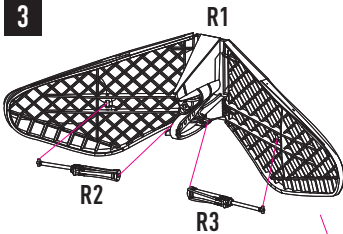
2

STEP 1

DRILL A THROUGH HOLE
LEAVING A 0.8 MM EDGE



3



STEP 2

