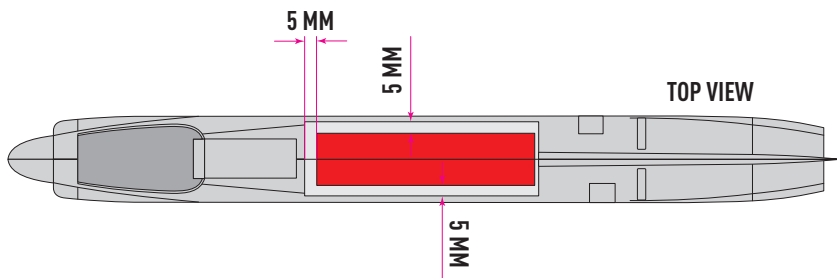
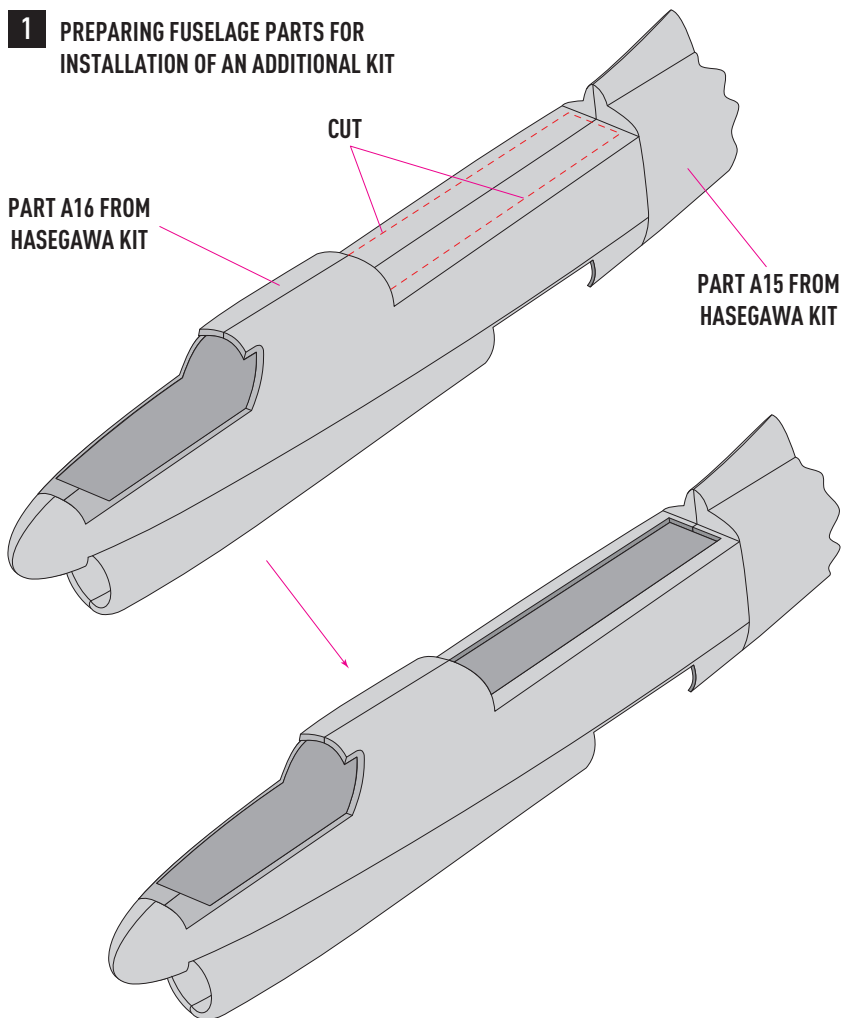


1 PREPARING FUSELAGE PARTS FOR
INSTALLATION OF AN ADDITIONAL KIT

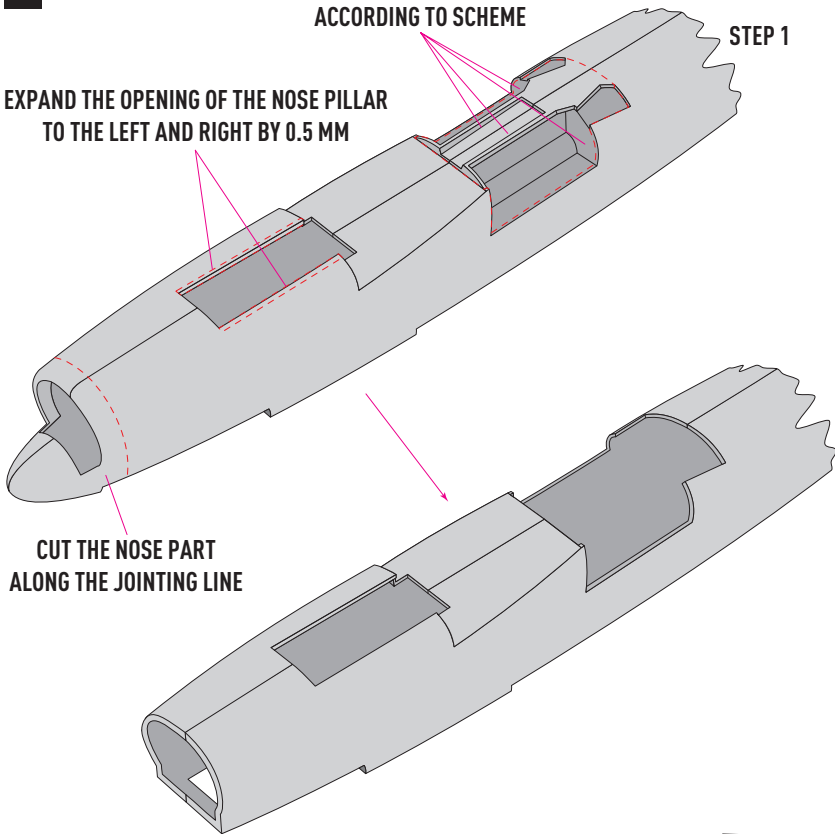


2

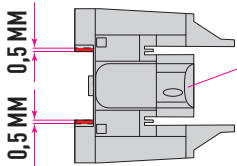
CUT OUT FRAGMENTS OF STERN NICHES
ACCORDING TO SCHEME

STEP 1

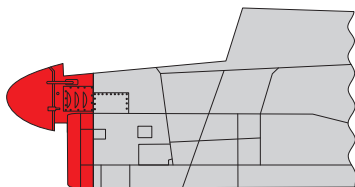
EXPAND THE OPENING OF THE NOSE PILLAR
TO THE LEFT AND RIGHT BY 0.5 MM



CUT THE NOSE PART
ALONG THE JOINTING LINE



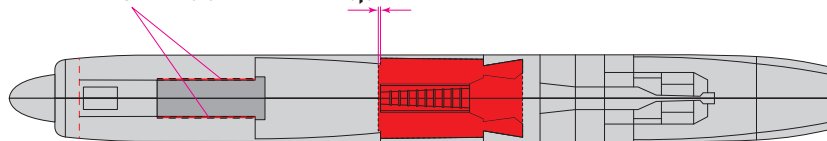
PART A19 FROM
HASEGAWA KIT



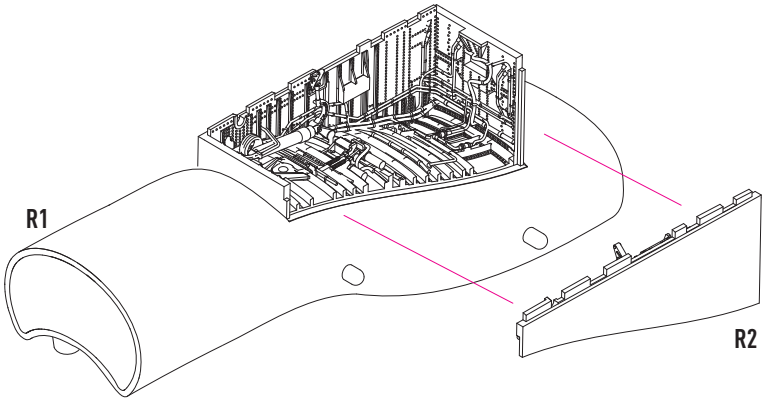
CUT THE NOSE PART
ALONG THE JOINTING LINE

WIDEN THE OPENING TO THE
LEFT AND RIGHT BY 0.5 MM

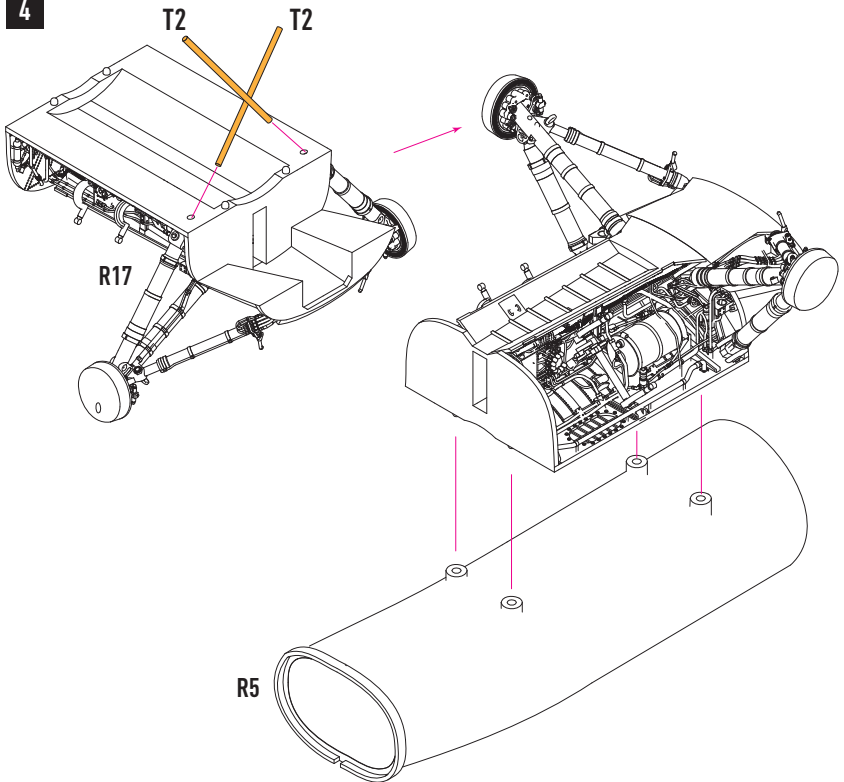
0,8 MM



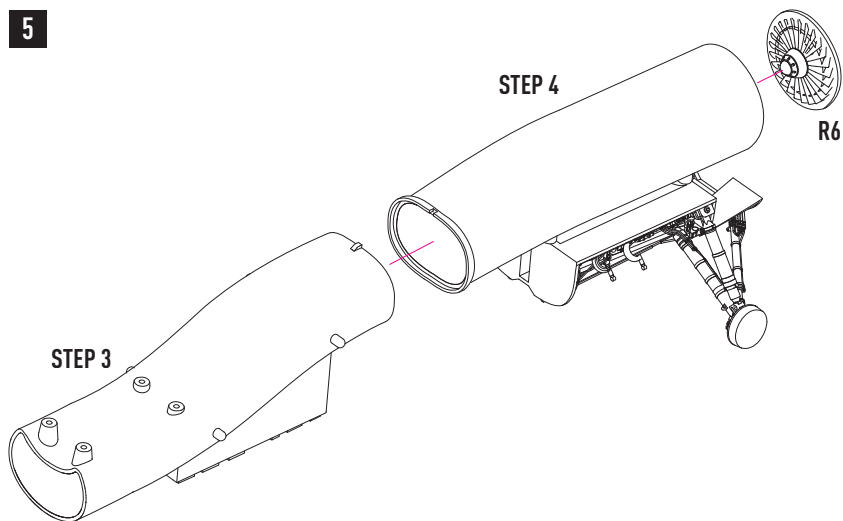
3



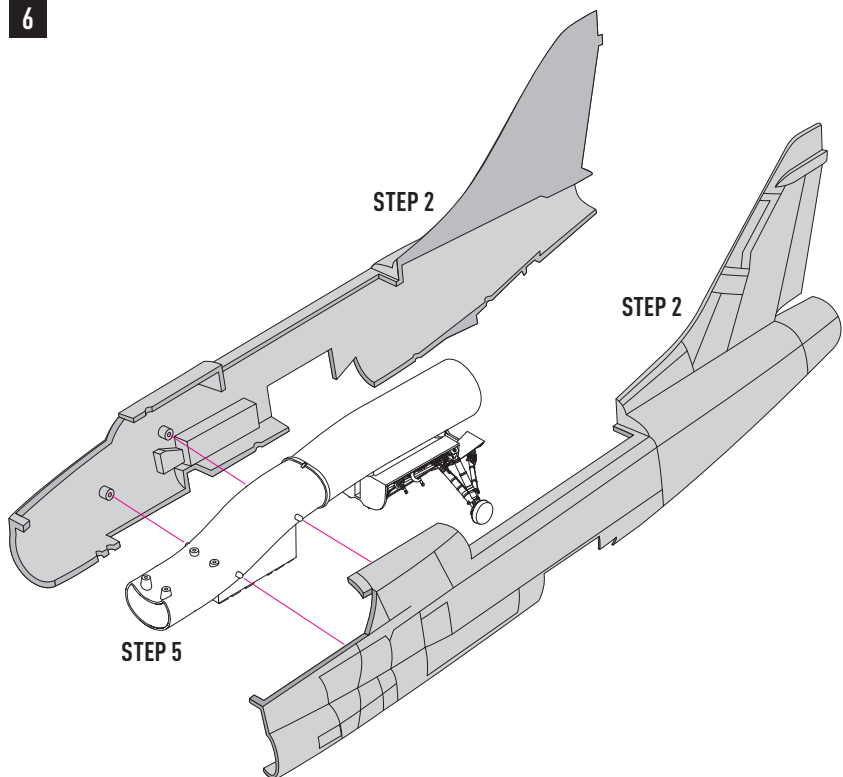
4



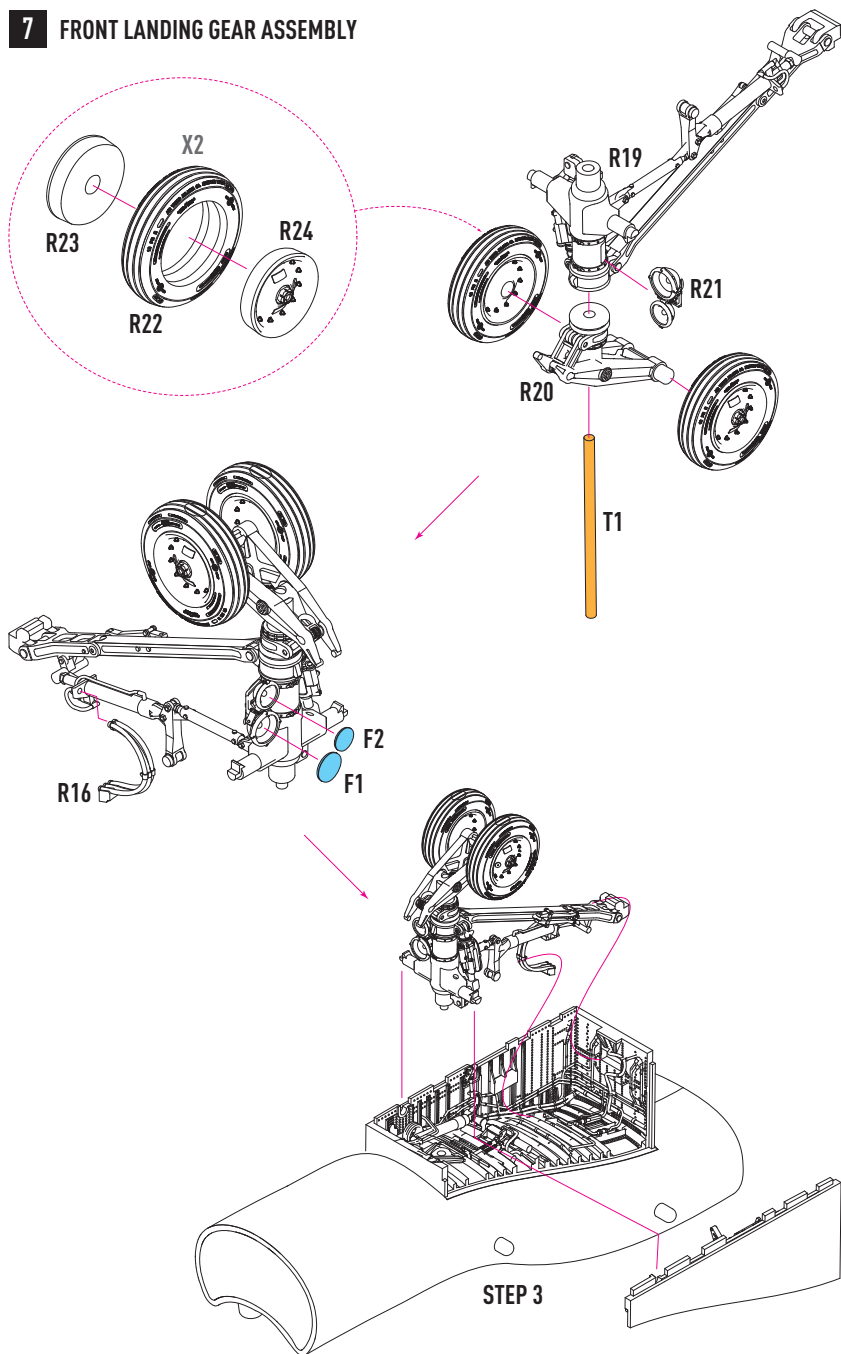
5

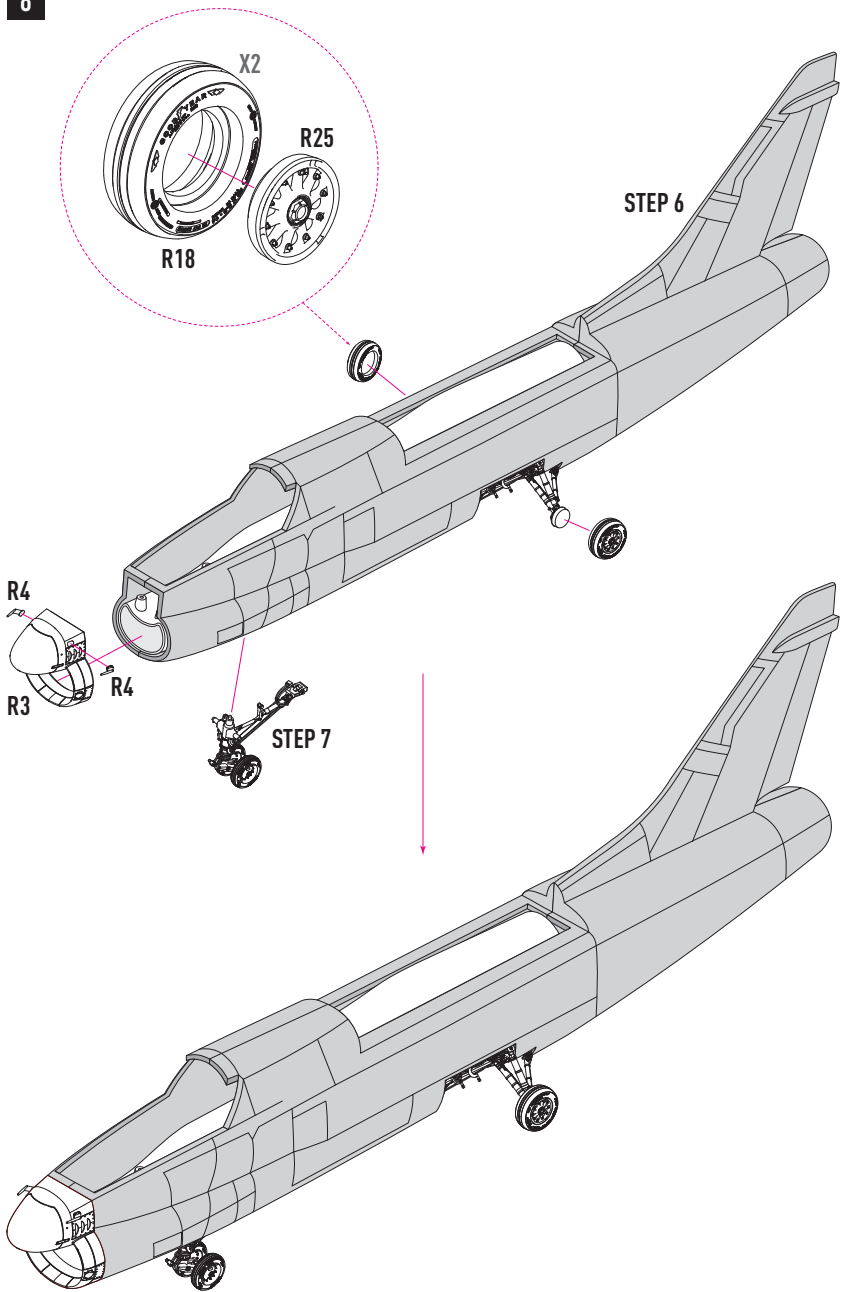


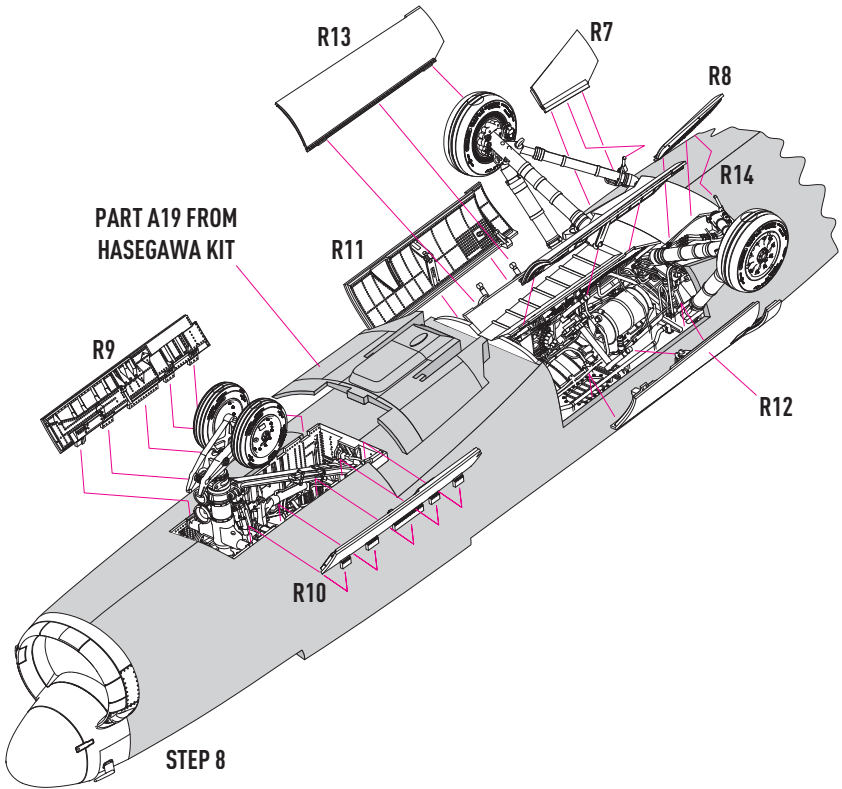
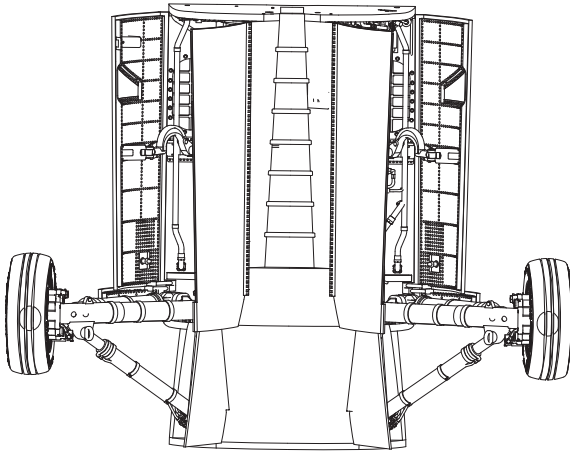
6

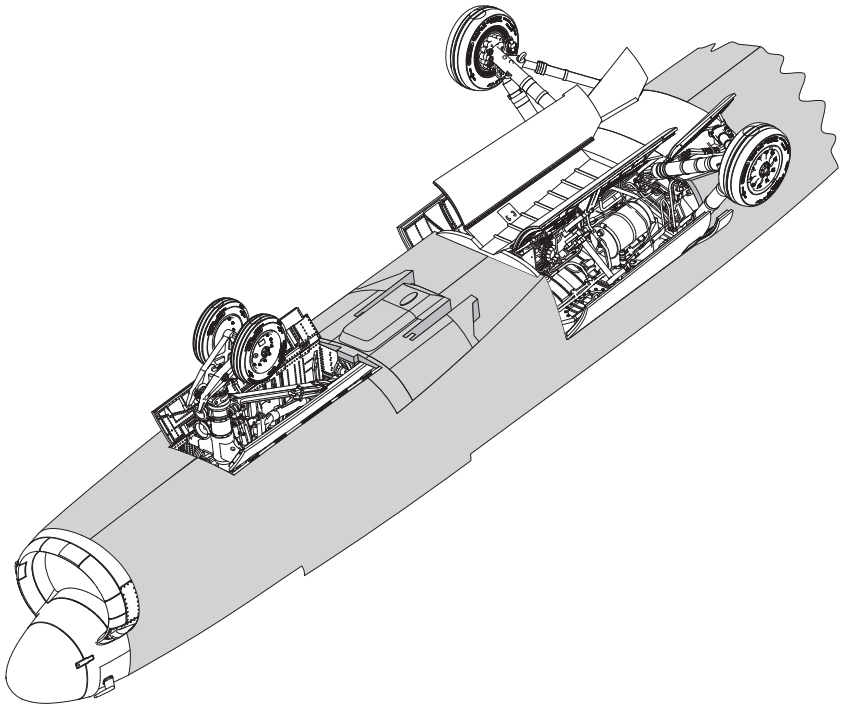
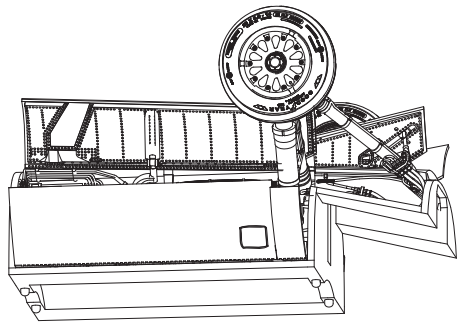
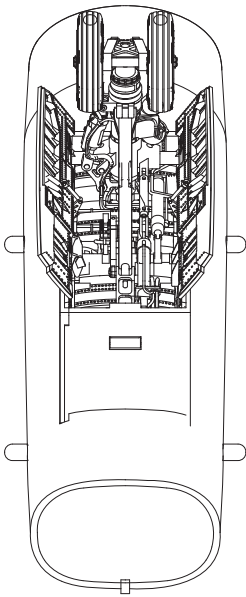


7 FRONT LANDING GEAR ASSEMBLY









general issues: info@reskit.com.ua / claim resolution: claims@reskit.com.ua

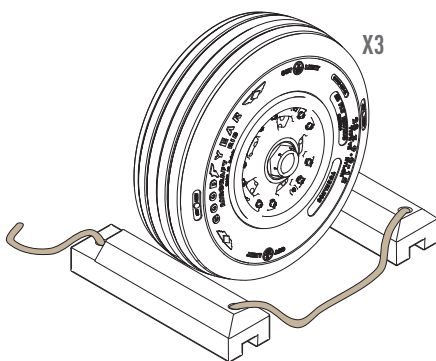
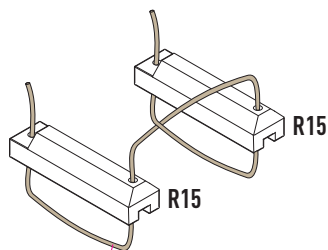
RESKIT-MODELS.COM

[fb.com/reskit.official](https://www.facebook.com/reskit.official)

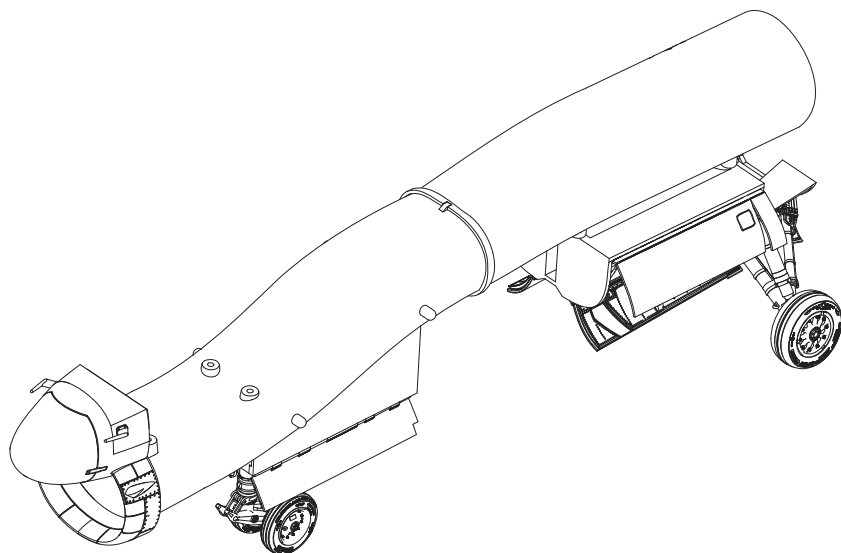
[@instagram.com/reskit_official](https://www.instagram.com/reskit_official)

[pinterest.com/reskit_official](https://www.pinterest.com/reskit_official)

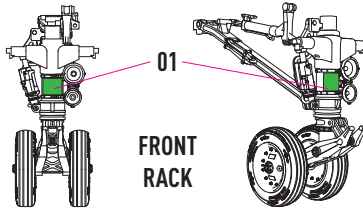
10 ASSEMBLY AND INSTALLATION OF PARKING BLOCKS



INSERT A THREAD 60 MM LONG



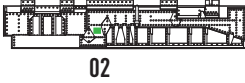
**DECAL
INSTRUCTION**



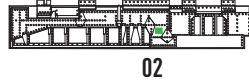
**FRONT
RACK**

FRONT RACK DOORS

LEFT SIDE



02

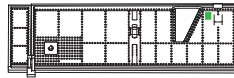
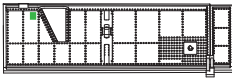


02

RIGHT SIDE

03 UPPER DOORS OF THE REAR RACK 03

LEFT SIDE



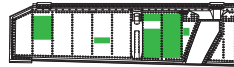
RIGHT SIDE

LOWER DOORS OF THE REAR RACK

LEFT SIDE

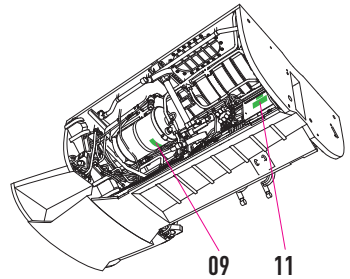
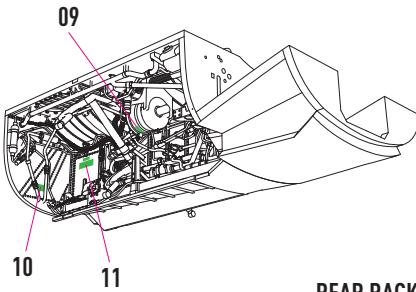


04 07 05 06

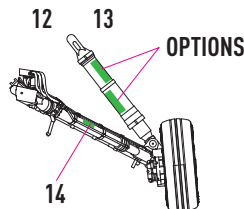
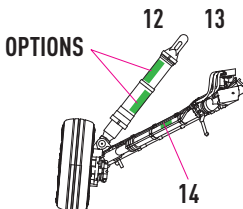


06 05 08 04

RIGHT SIDE



REAR RACK REAR VIEW



YOU CAN FIND INSTRUCTIONS
IN PDF FORMAT ON THE WEBSITE

RESKIT-MODELS.COM

General Issues: info@reskit.com.ua

Wholesales: sales@reskit.com.ua

Claim Resolution: claims@reskit.com.ua