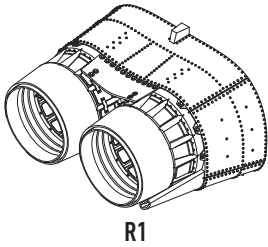
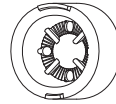
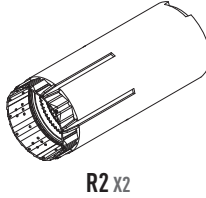


DETAILS AFTER REMOVAL FROM SUPPORTS

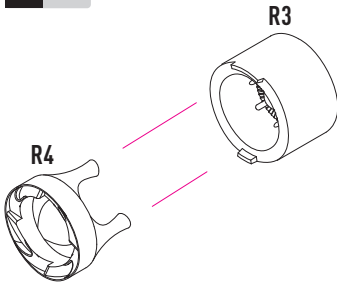


REMOVE PROTECTIVE COVER

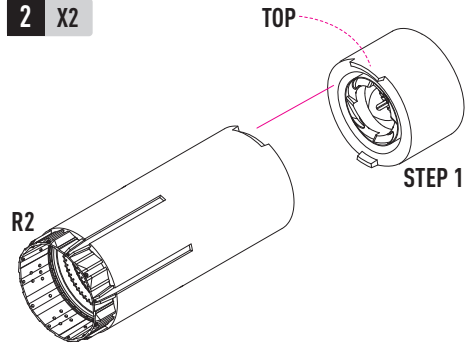
USE A SAW TO REMOVE SUPPORTS
FROM 3D PRINTED PARTS



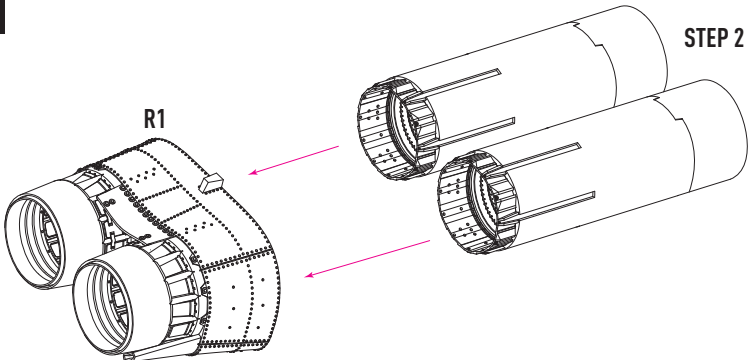
1 X2



2 X2

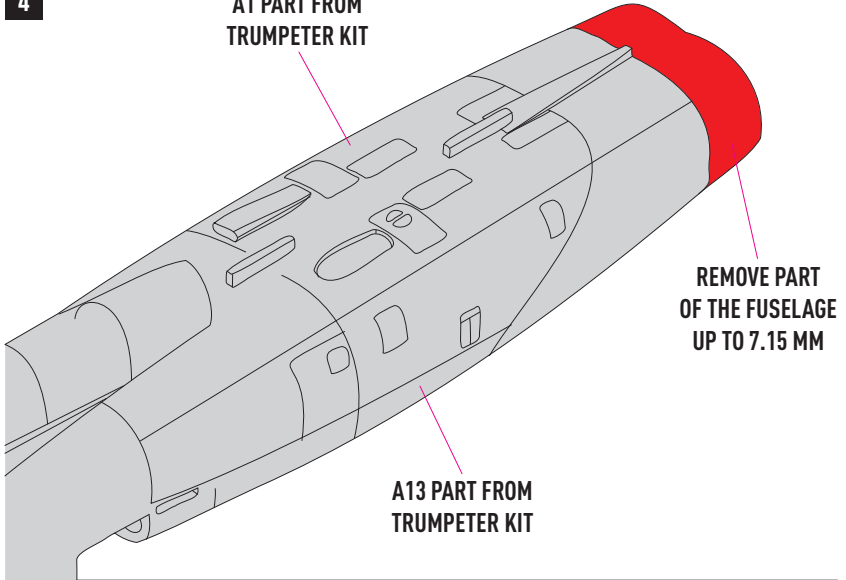


3



4

A1 PART FROM
TRUMPETER KIT



5

