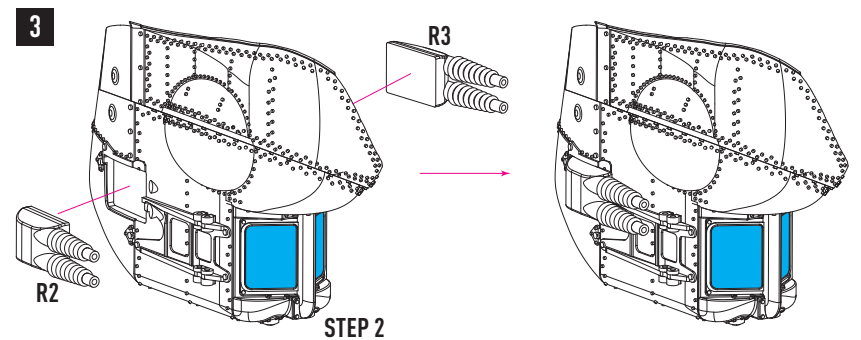
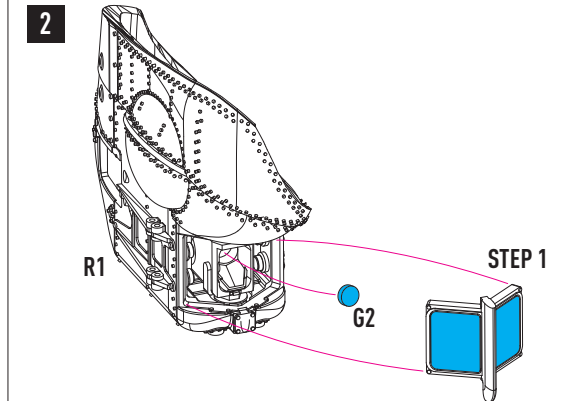
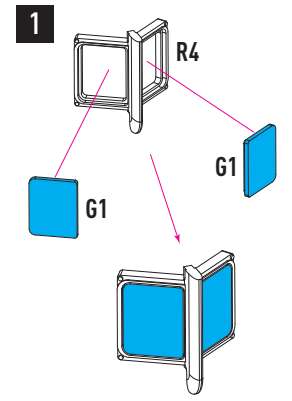
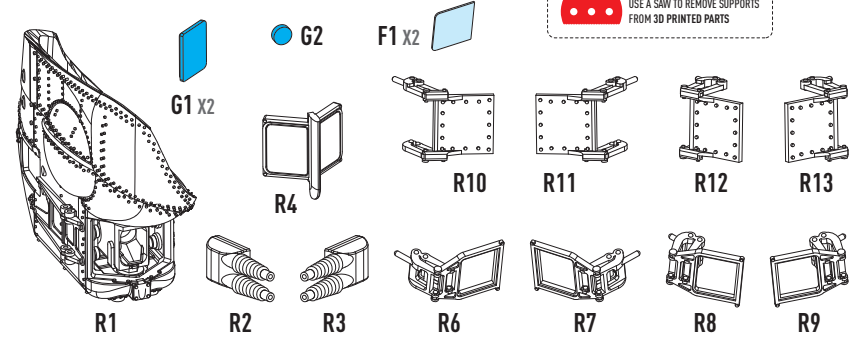
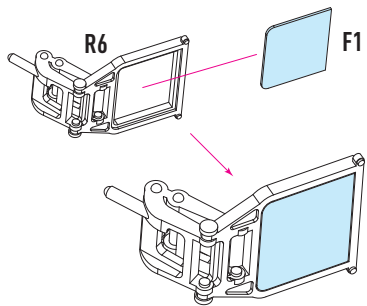


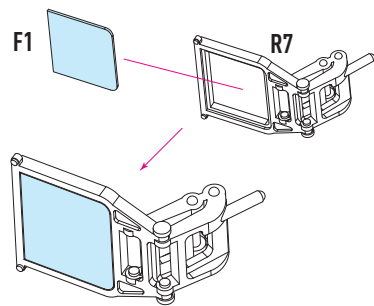
DETAILS AFTER REMOVAL FROM SUPPORTS



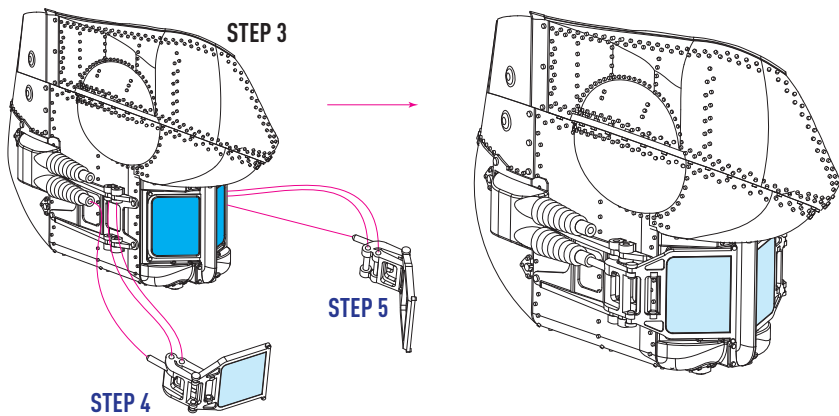
4 V1/V2



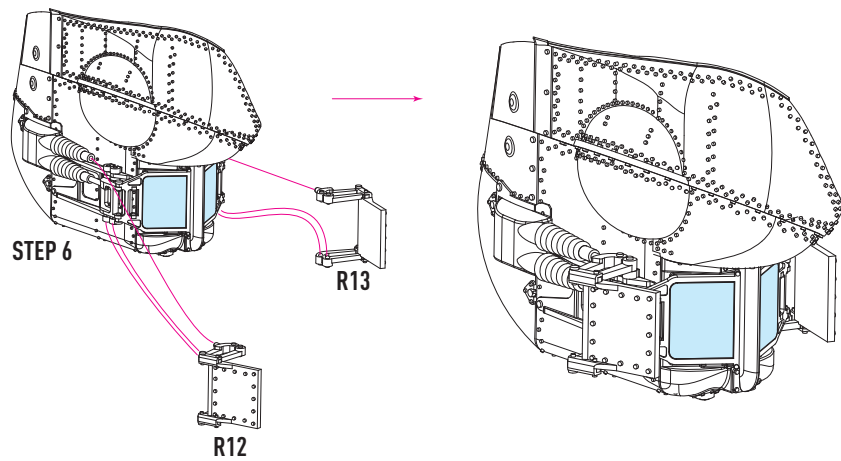
5 V1/V2



6 V1/V2



7 V2



7 V1

