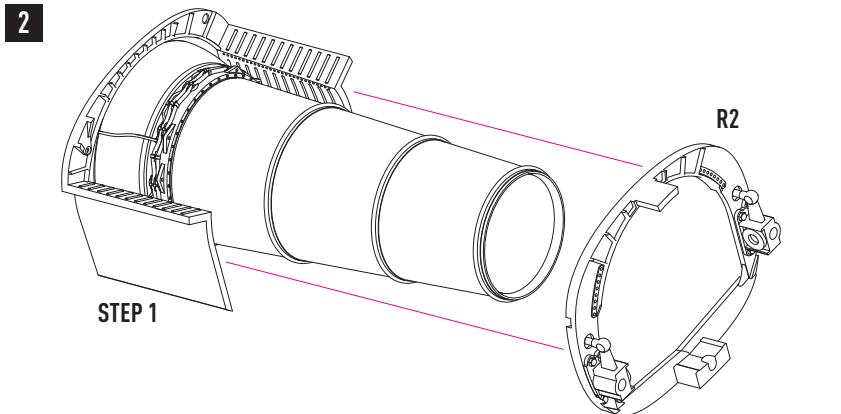
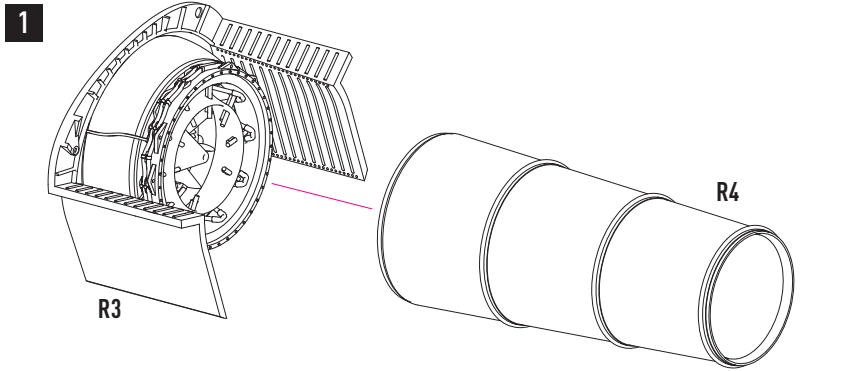
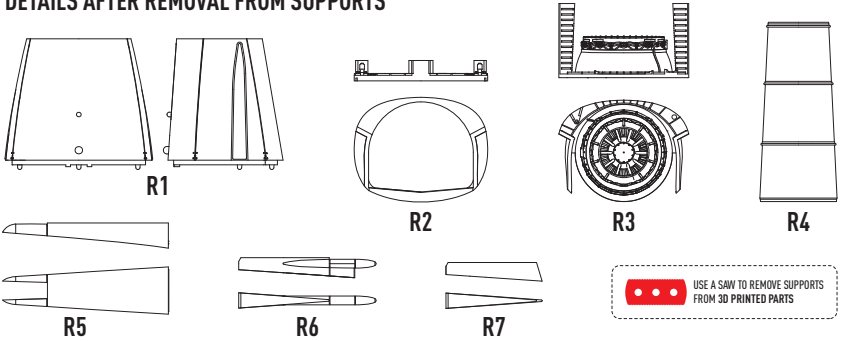
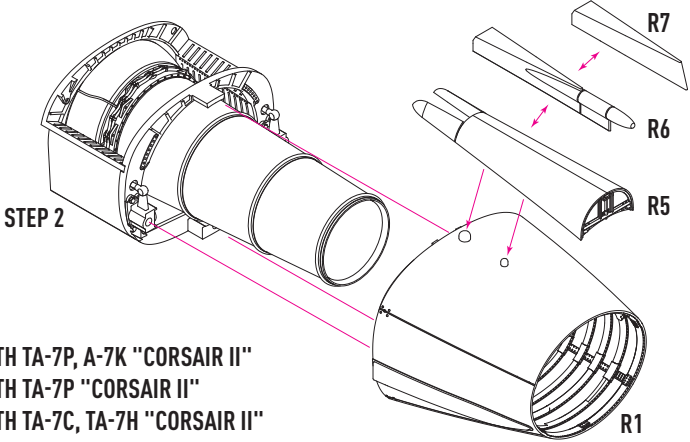


### DETAILS AFTER REMOVAL FROM SUPPORTS



3



USE R7 WITH TA-7P, A-7K "CORSAIR II"  
USE R6 WITH TA-7P "CORSAIR II"  
USE R5 WITH TA-7C, TA-7H "CORSAIR II"

