

DETAILS AFTER REMOVAL FROM SPRUES

USE A SAW TO REMOVE SUPPORTS
FROM 3D PRINTED PARTS



R6



R7



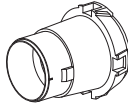
R8 X2



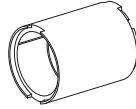
R1



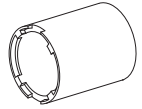
R2



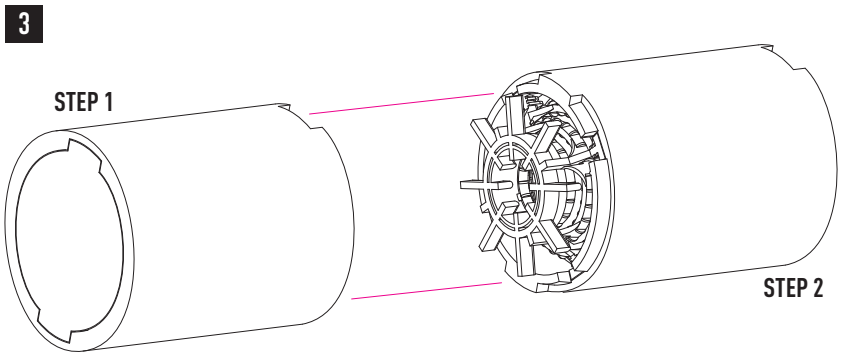
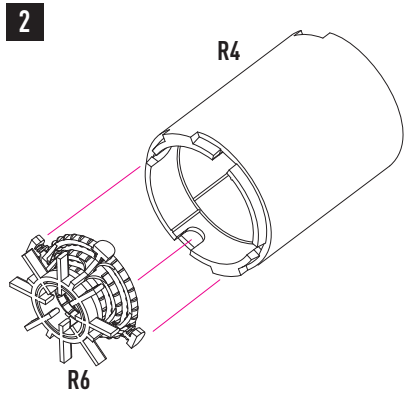
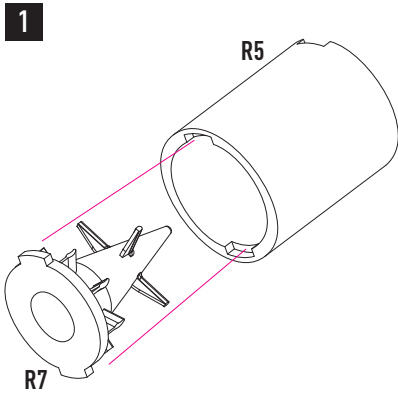
R3



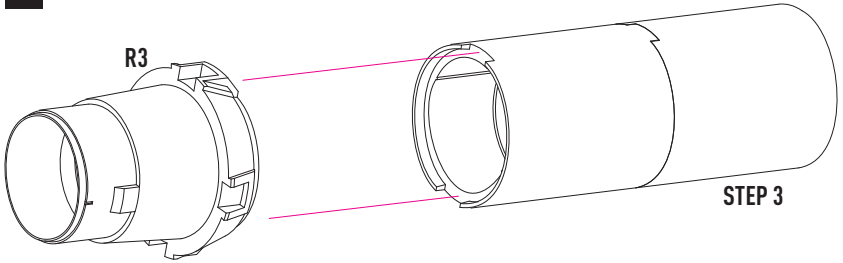
R4



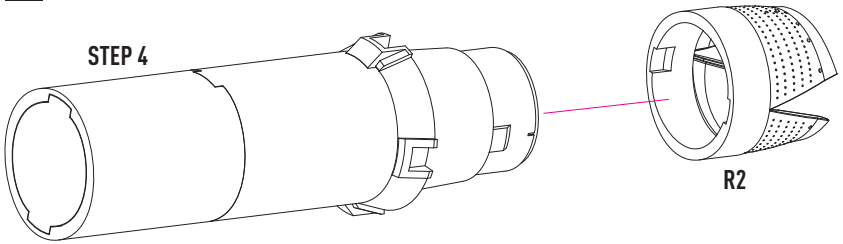
R5



4



5



6

