

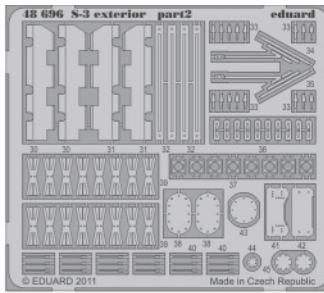
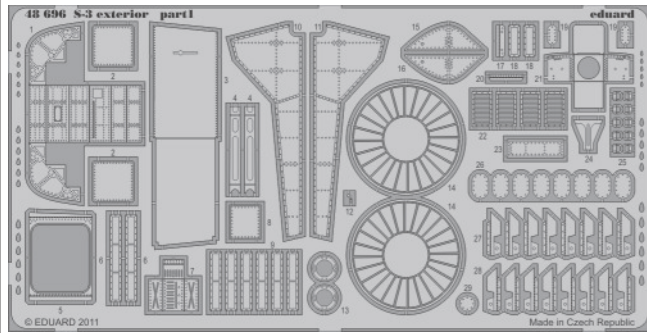


# S-3 exterior

eduard

48 696

1/48 scale detail set for Italeri kit • sada detailů pro model 1/48 Italeri



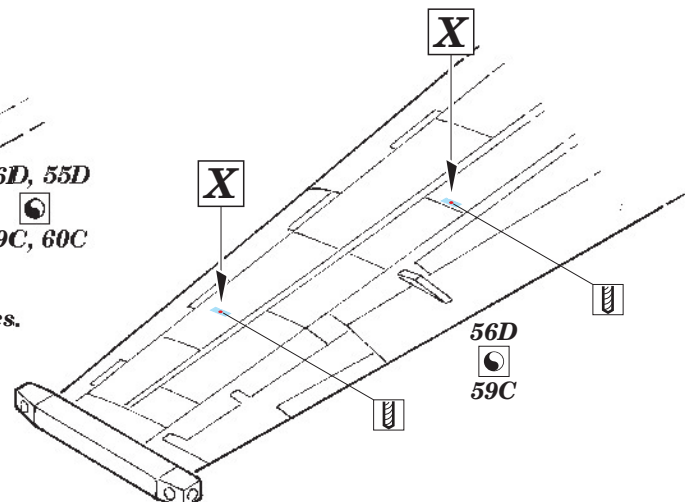
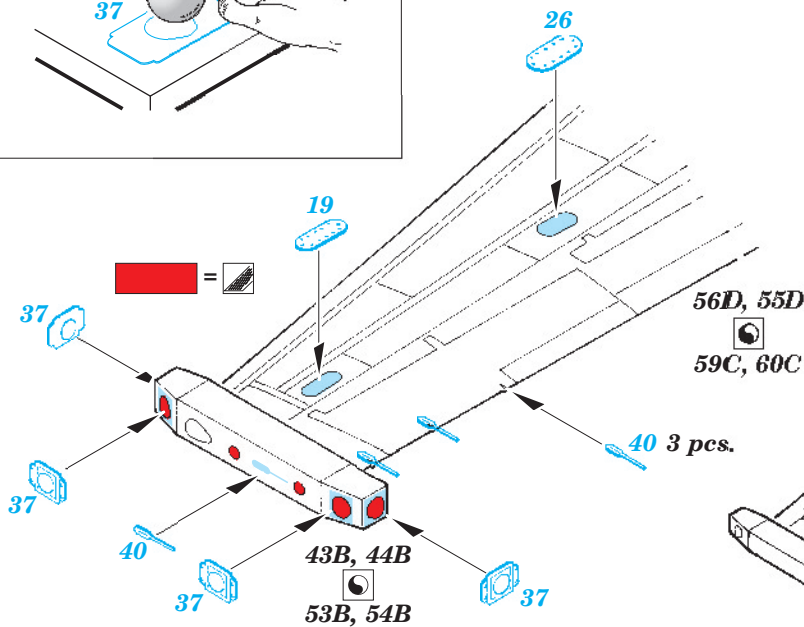
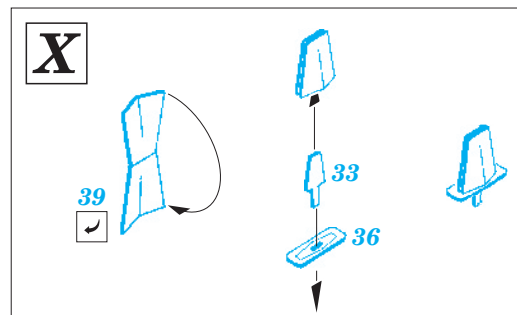
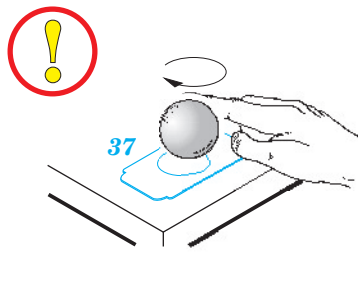
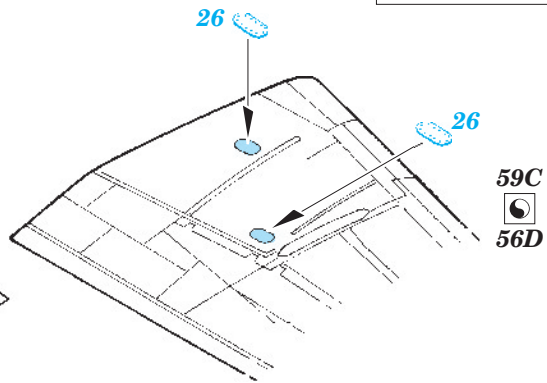
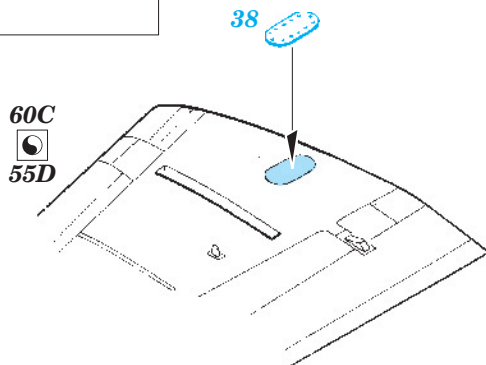
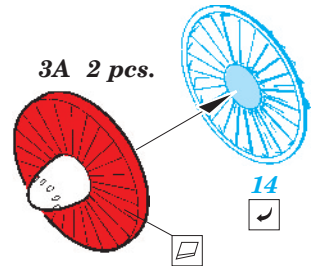
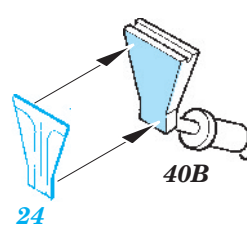
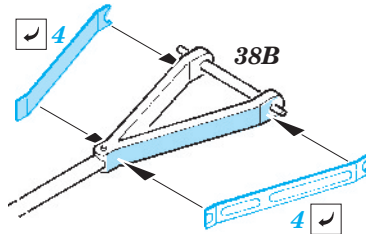
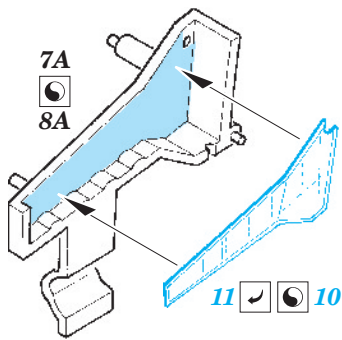
- APPLY EXPRESS MASK AND PAINT BEFORE GLUING  
POUŽIT EXPRESS MASK NABARVIT PŘED SLEPENÍM
- SYMETRICAL ASSEMBLY  
SYMETRICKÁ MONTÁŽ
- REMOVE  
ODSTRANIT
- GRIND  
OBROUSIT
- DRILL HOLE  
VRTAT OTVOR
- BEND  
OHNOUT
- OPTION  
VOLBA
- REPLACE  
NAHRADIT

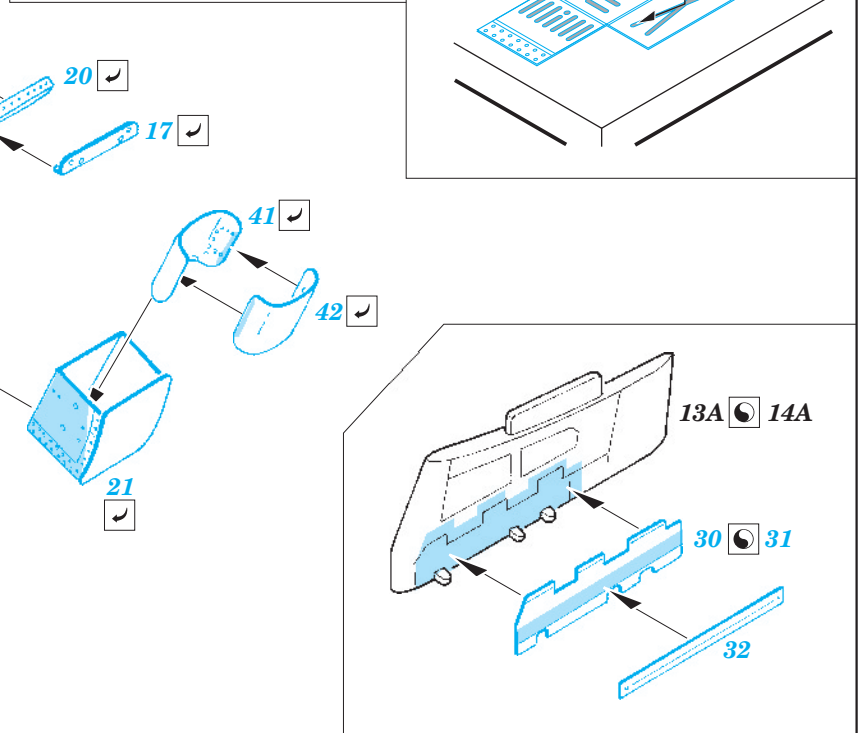
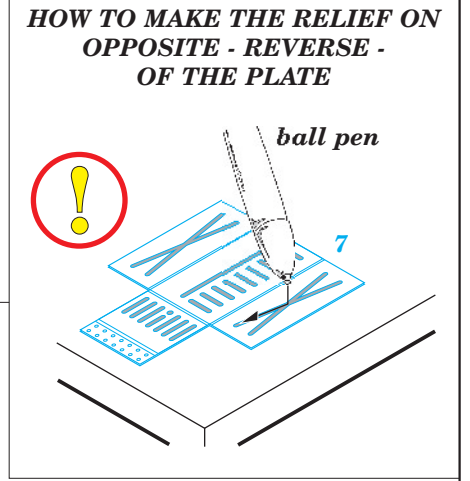
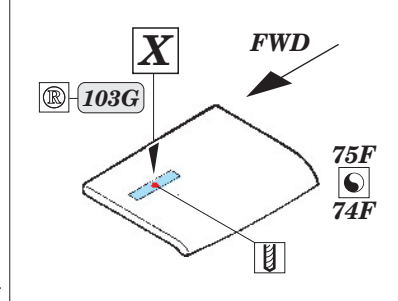
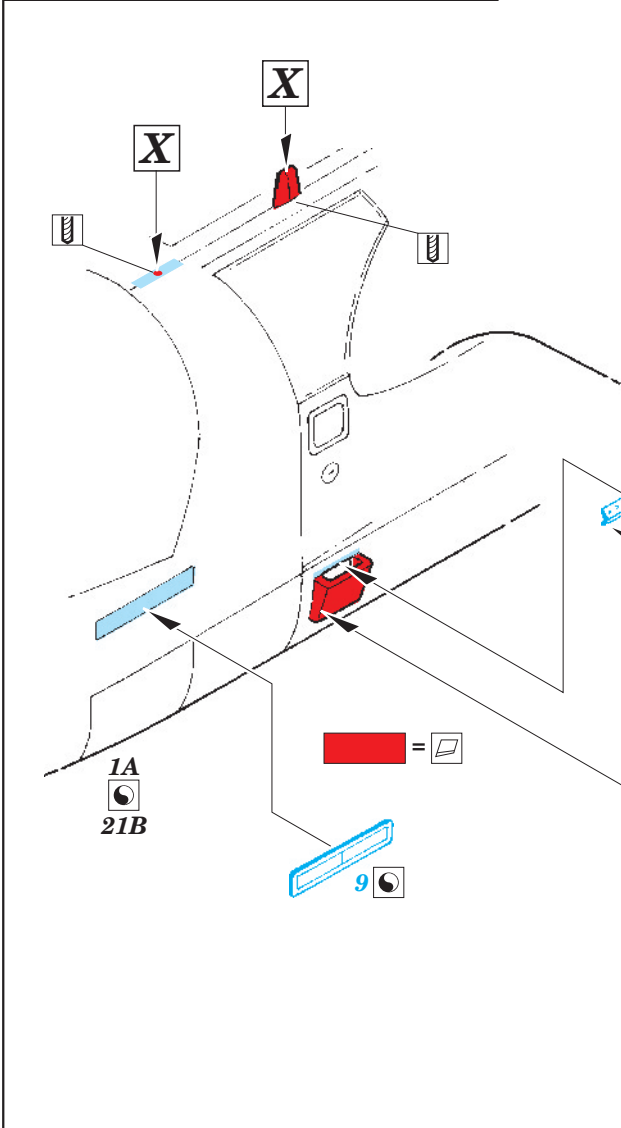
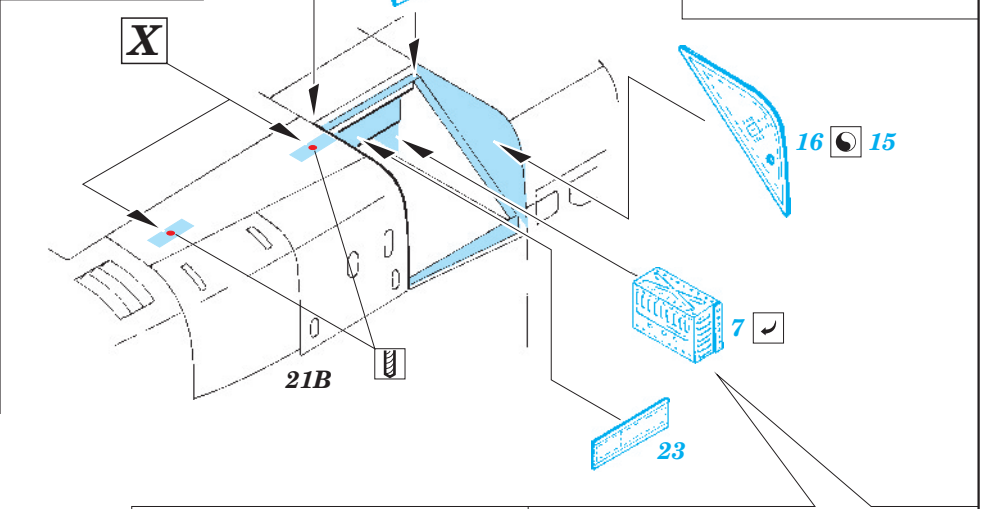
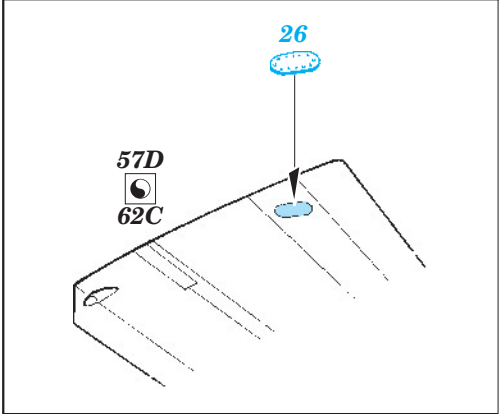
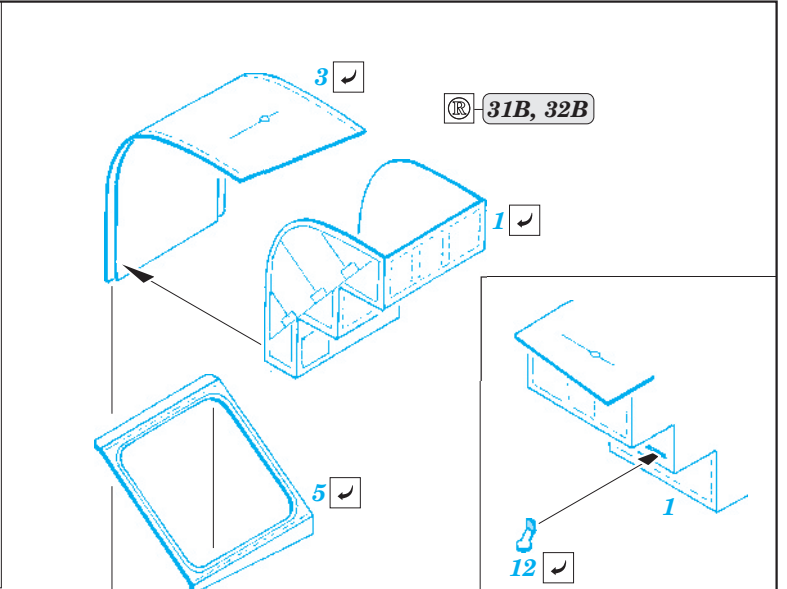
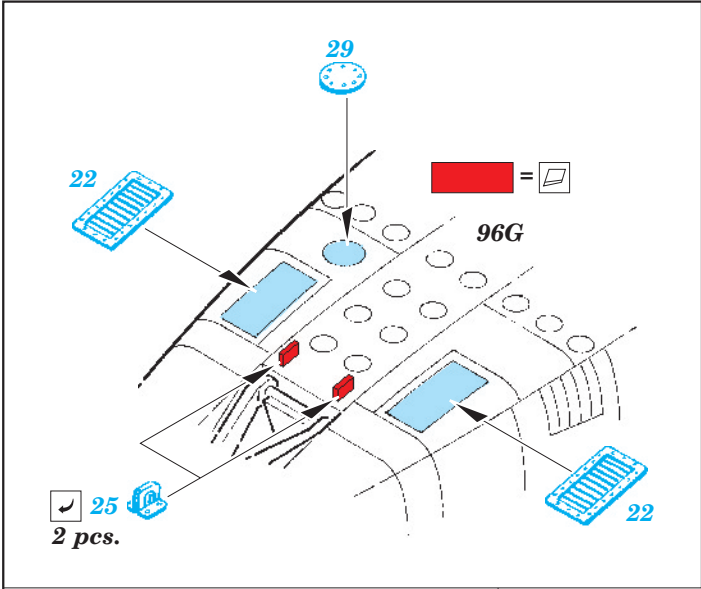
ORIGINAL KIT PARTS  
PŮVODNÍ DÍLY STAVEBNICE

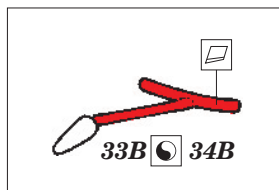
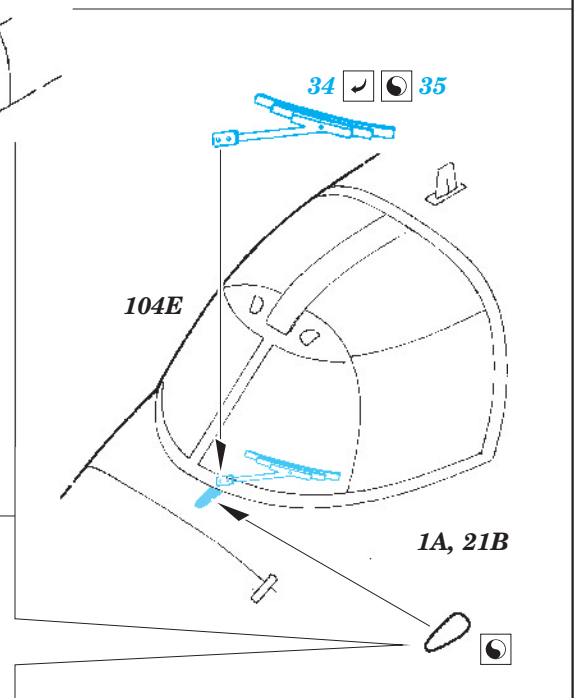
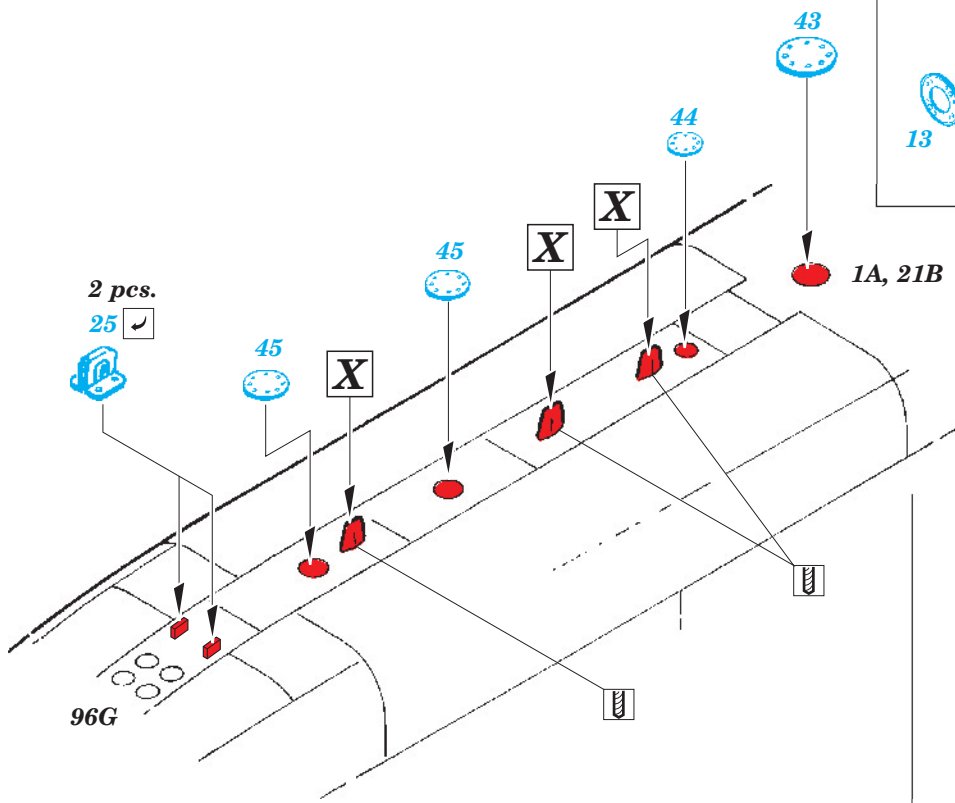
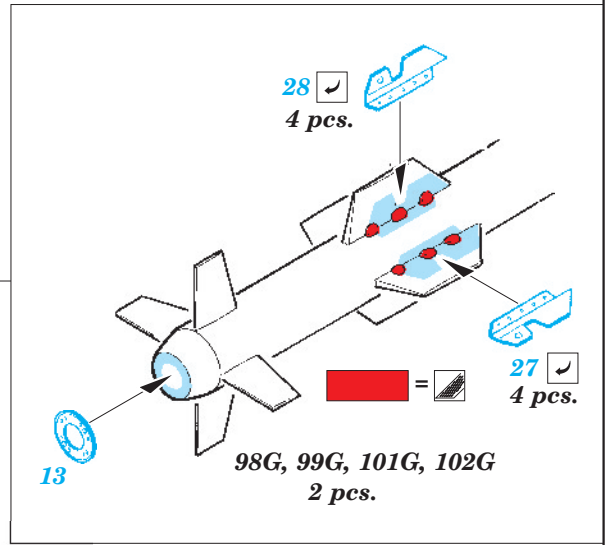
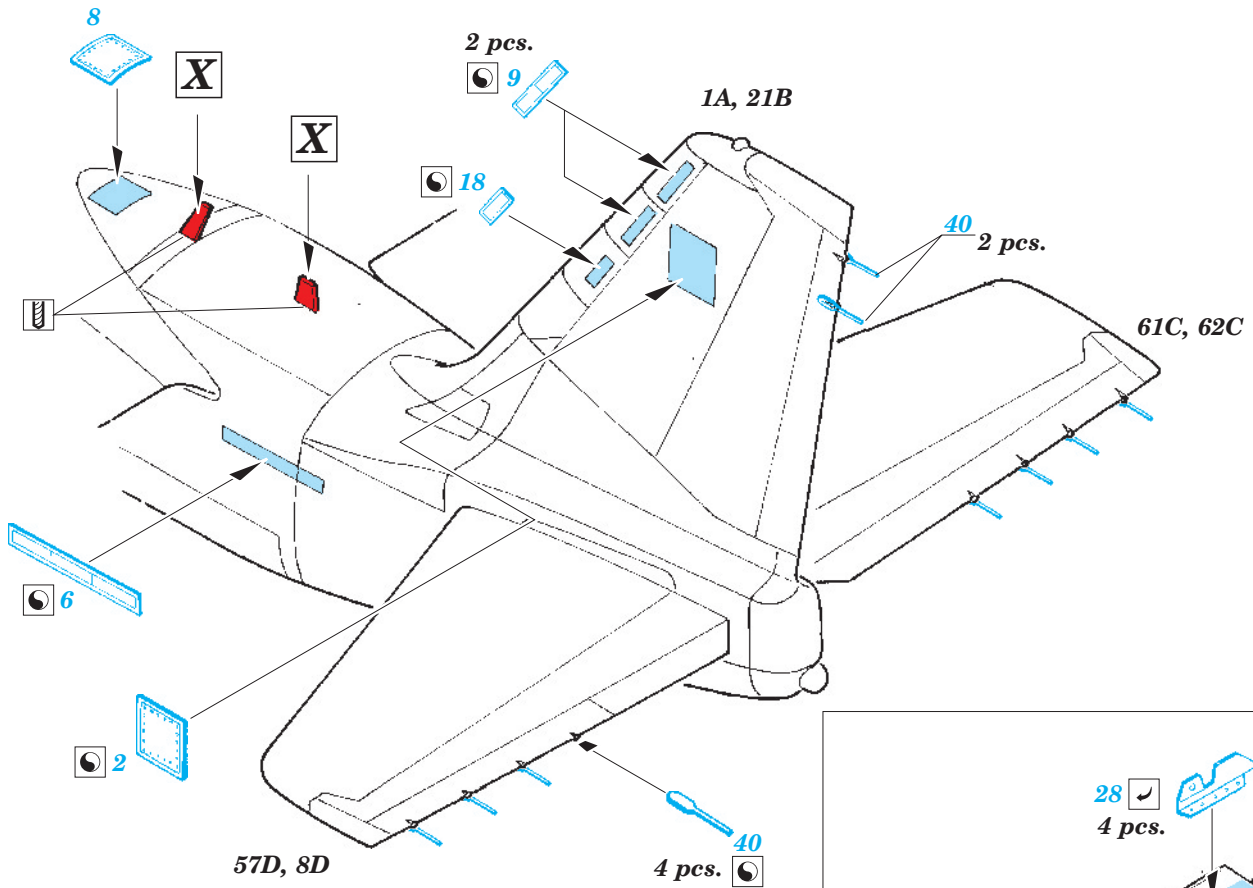
PHOTO-ETCHED PARTS  
LEPTANÉ DÍLY

PARTS TO BE REMOVED  
DÍLY K ODSTRANĚNÍ

FILL  
TMELIT

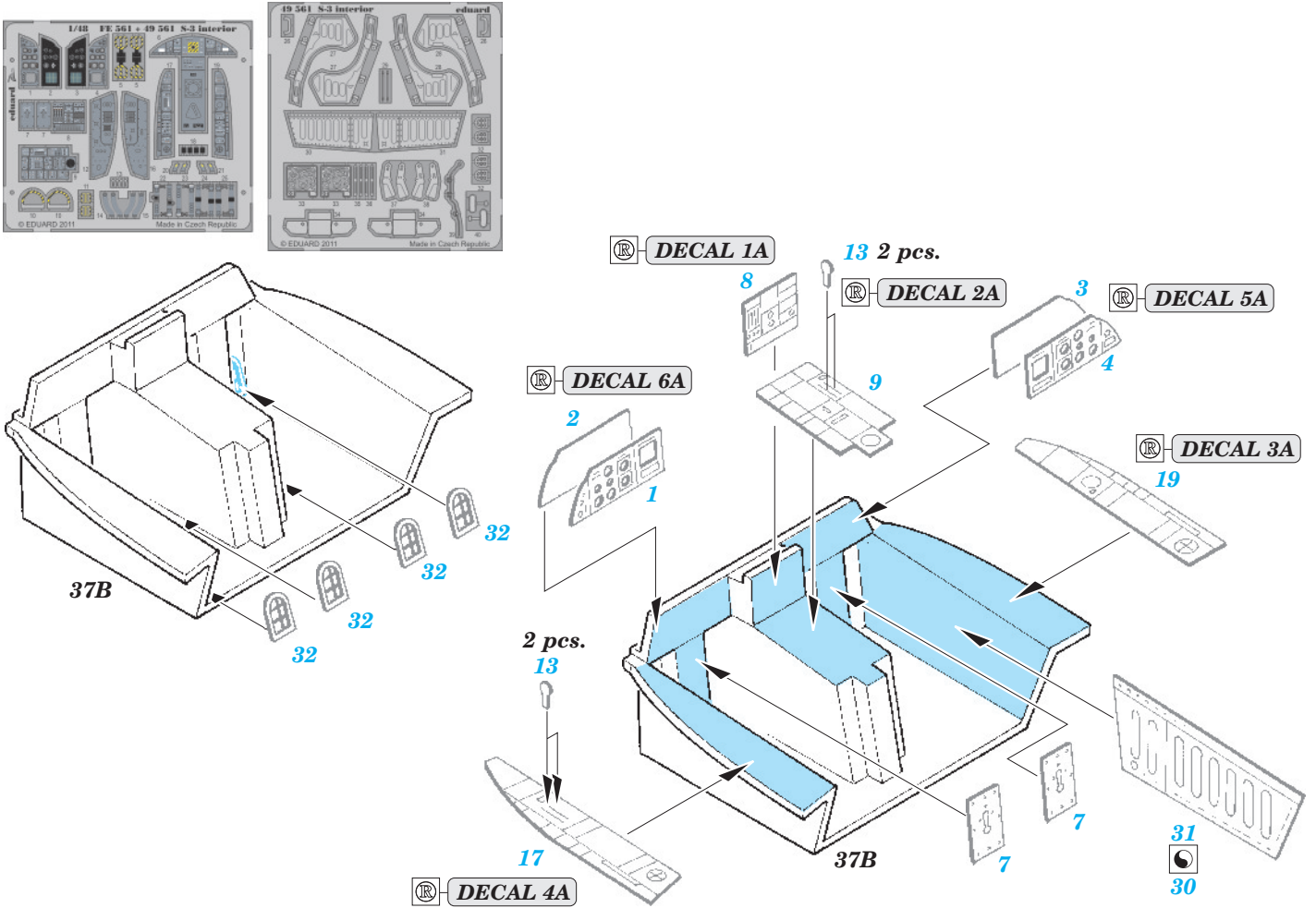








For further detail sets look for **eduard** 49 561 S-3 interior S.A.  
(not included in this set)



For further detail sets look for **eduard** 48 697 S-3 bomb bay  
(not included in this set)



For further detail sets look for **eduard** 48 698 undercarriage  
(not included in this set)

