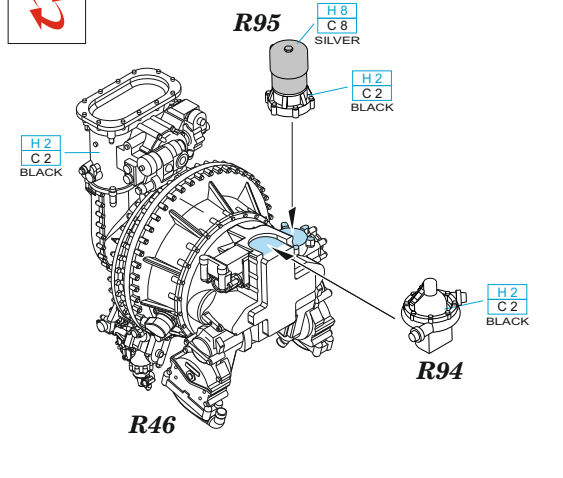
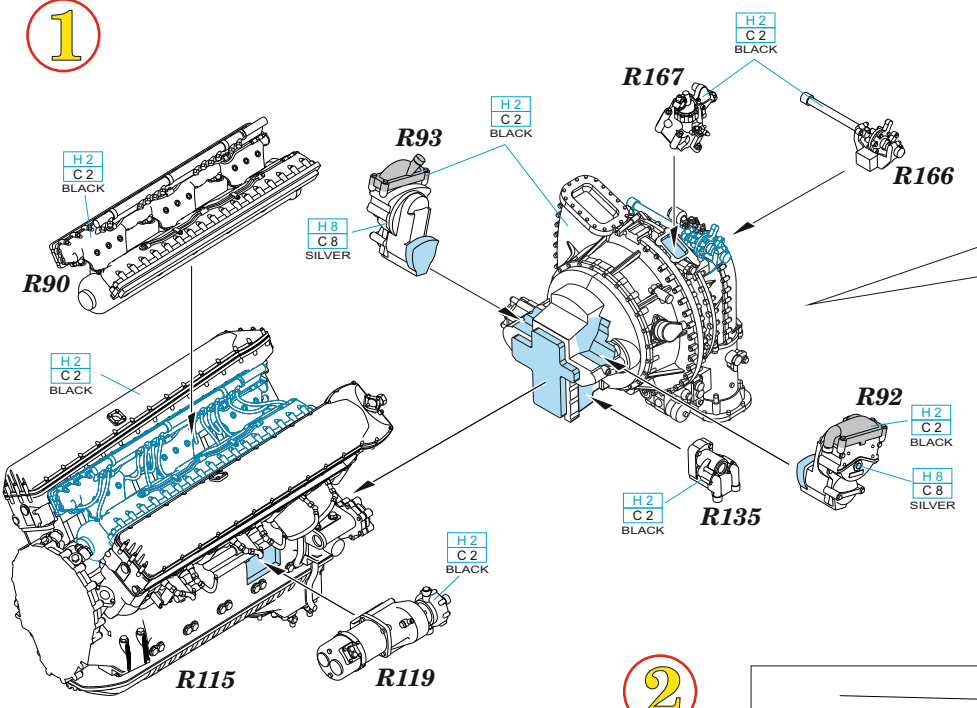



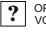





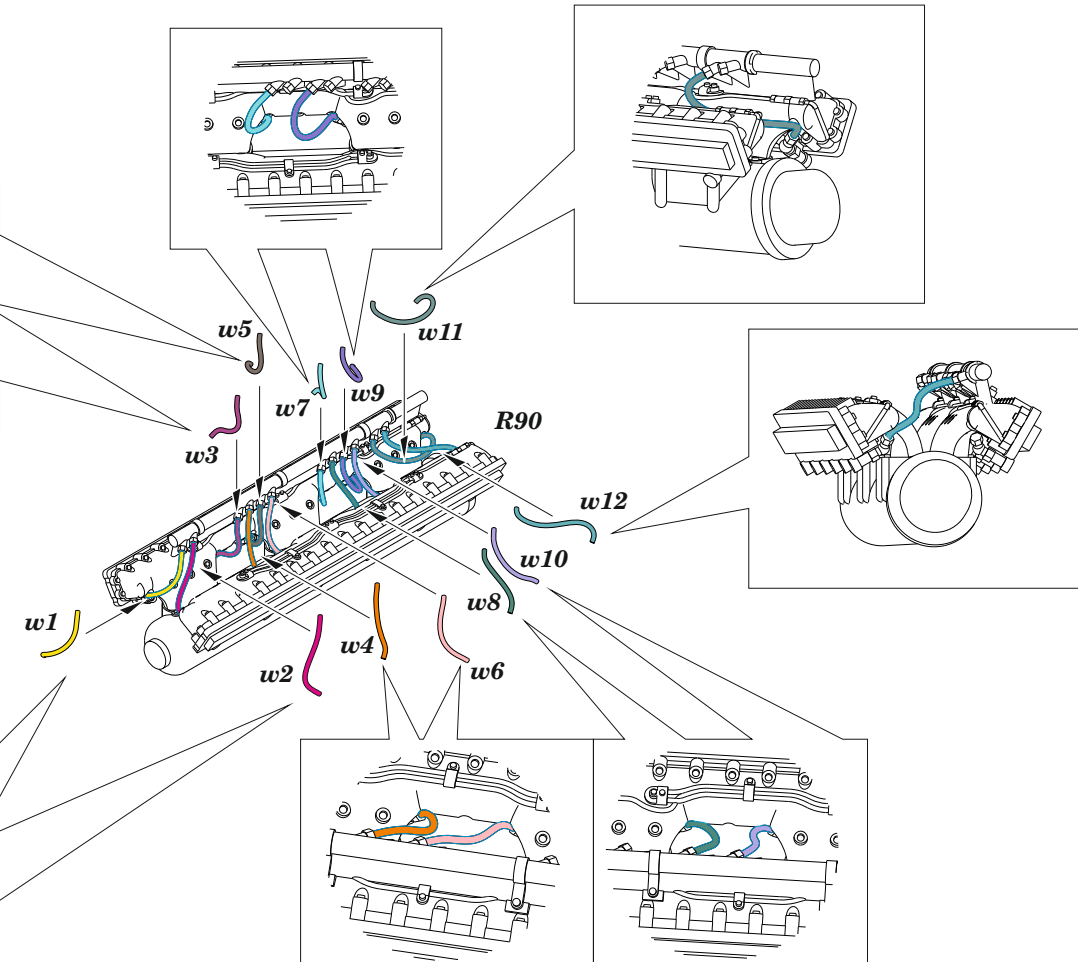
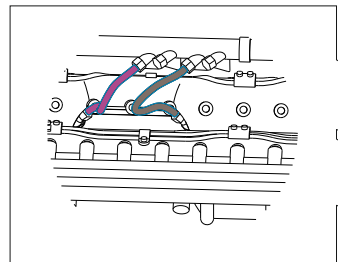


1



-  REMOVE ODSTRANIT
-  BEND OHNOUT
-  GRIND OBROUSIT
-  OPTION VOLBA
-  DRILL HOLE VRTAT OTVOR
-  REPLACE NAHRADIT
-  SYMMETRICAL ASSEMBLY SYMETRICKA MONTAZ
-  SCRIBE THE PANEL AND HOLES RYTI
-  REVERSE SIDE OTOCIT

2

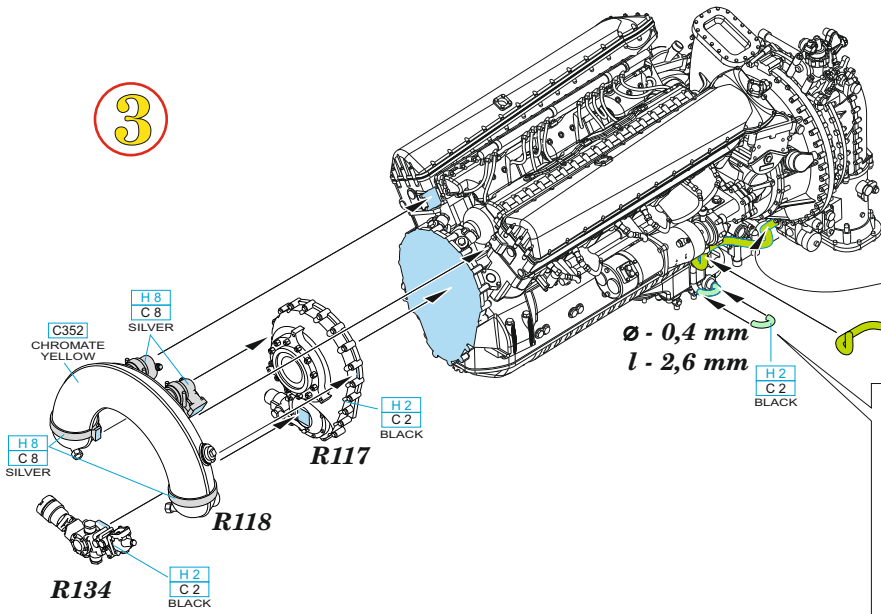


wires Ø - 0,2mm

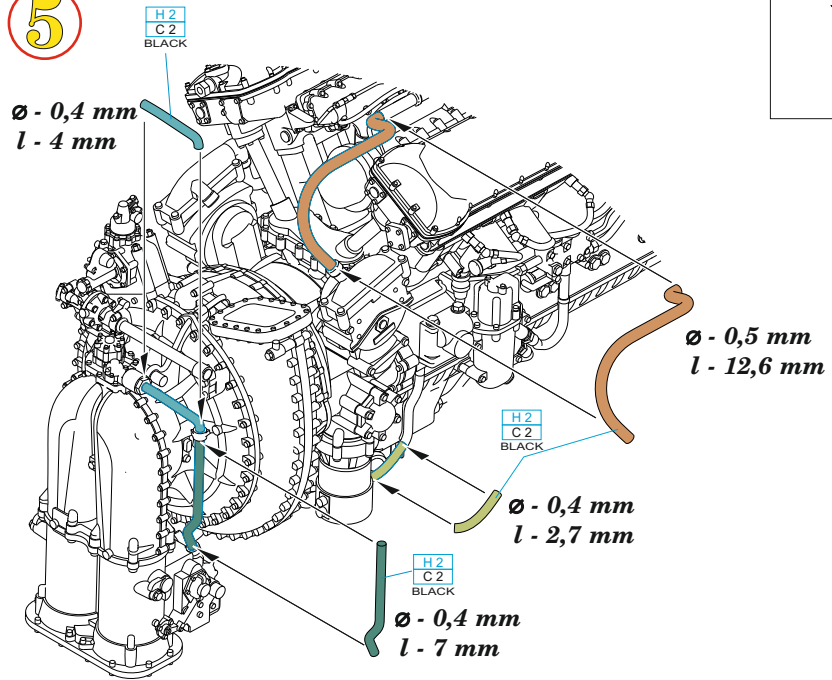
H12 C33 FLAT BLACK

w1	l - 4,2 mm	w7	l - 3,5 mm
w2	l - 4,7 mm	w8	l - 3,6 mm
w3	l - 3,4 mm	w9	l - 4 mm
w4	l - 4 mm	w10	l - 4 mm
w5	l - 4,5 mm	w11	l - 5,7 mm
w6	l - 4 mm	w12	l - 5,3 mm

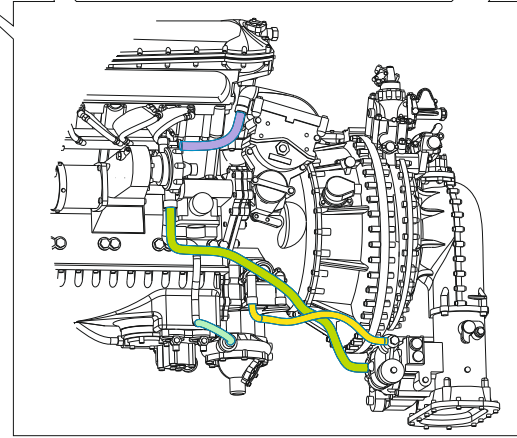
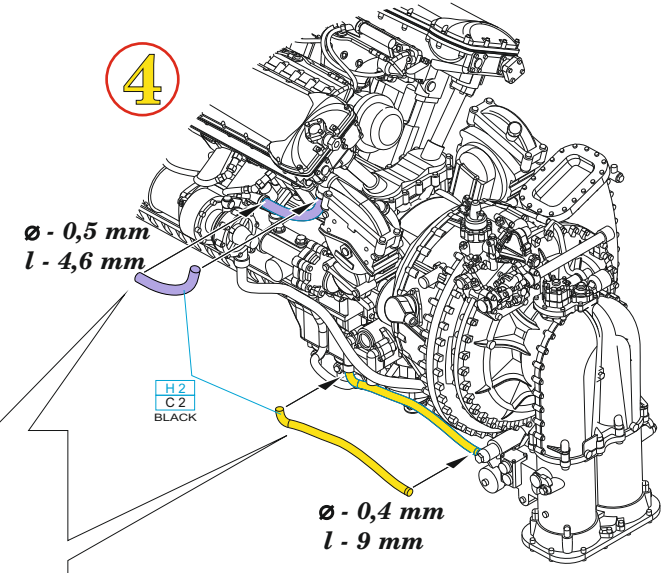
3



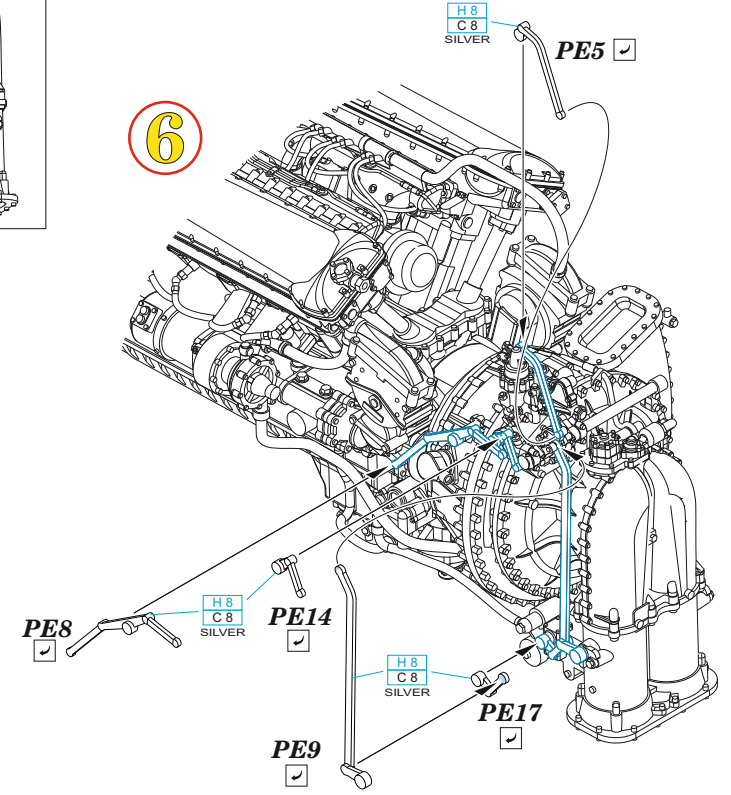
5

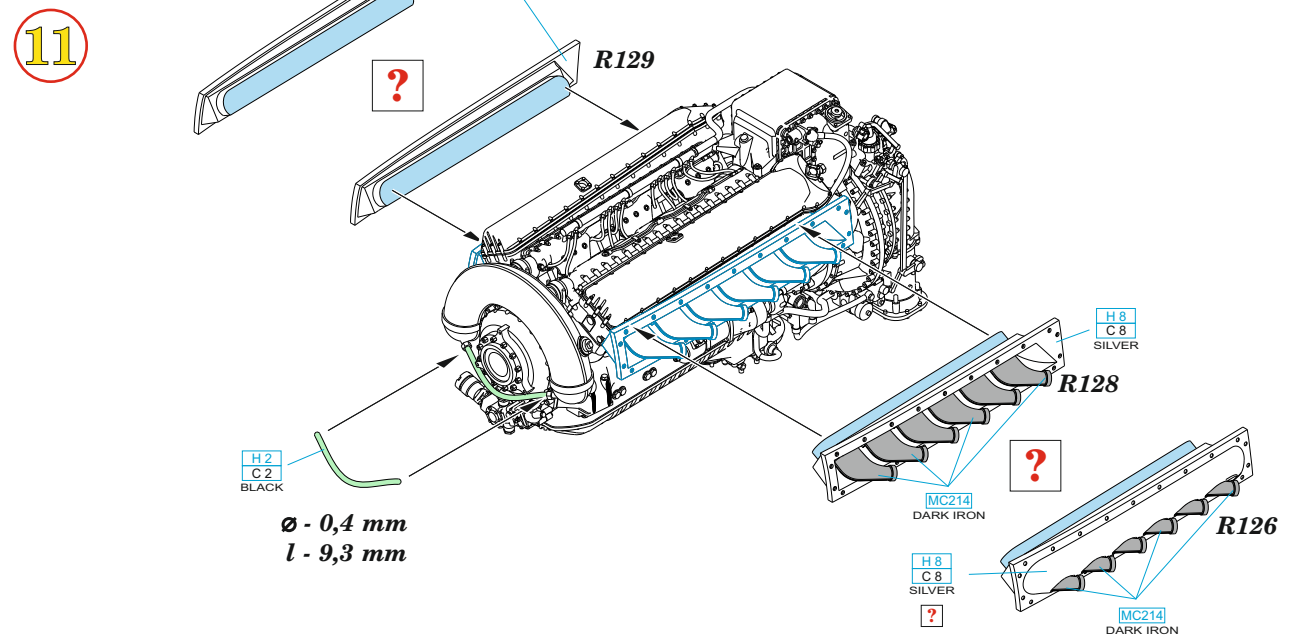
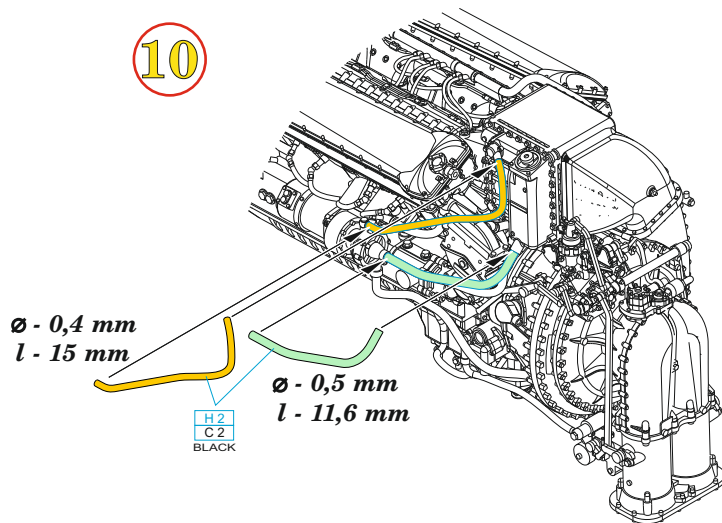
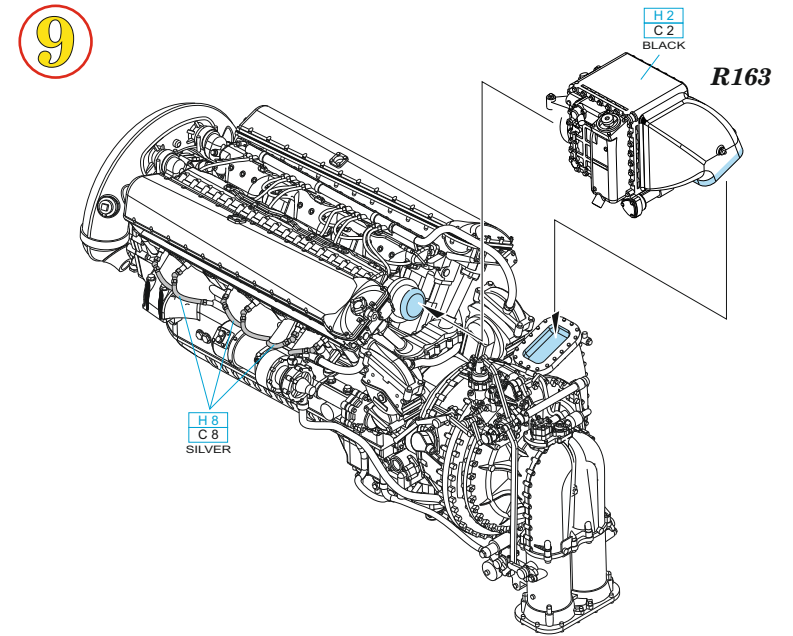
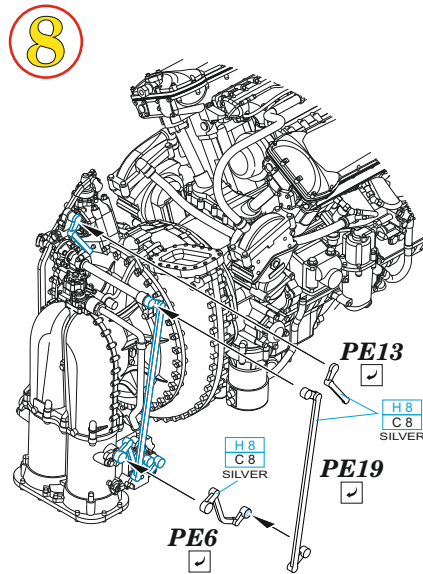
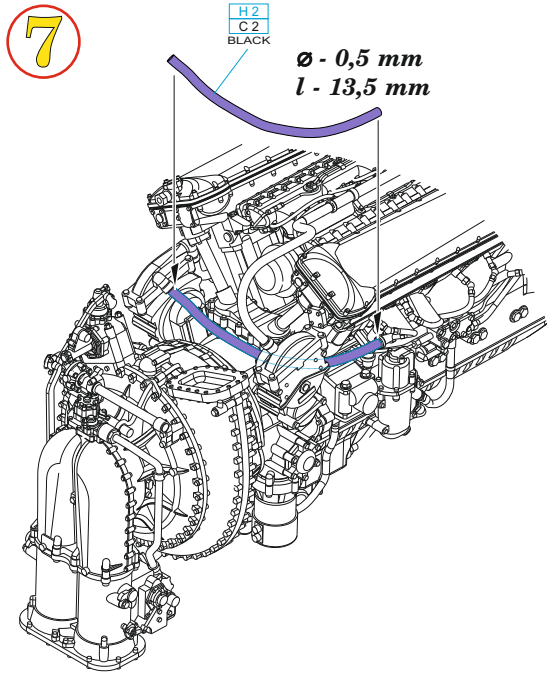


4

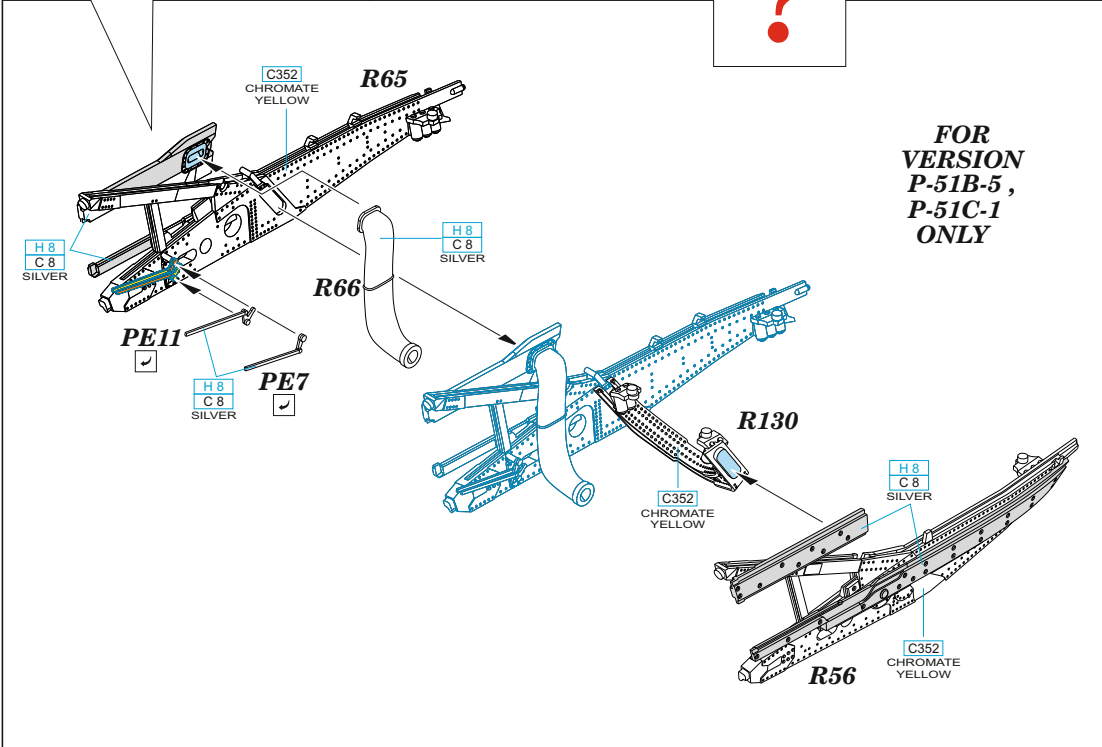
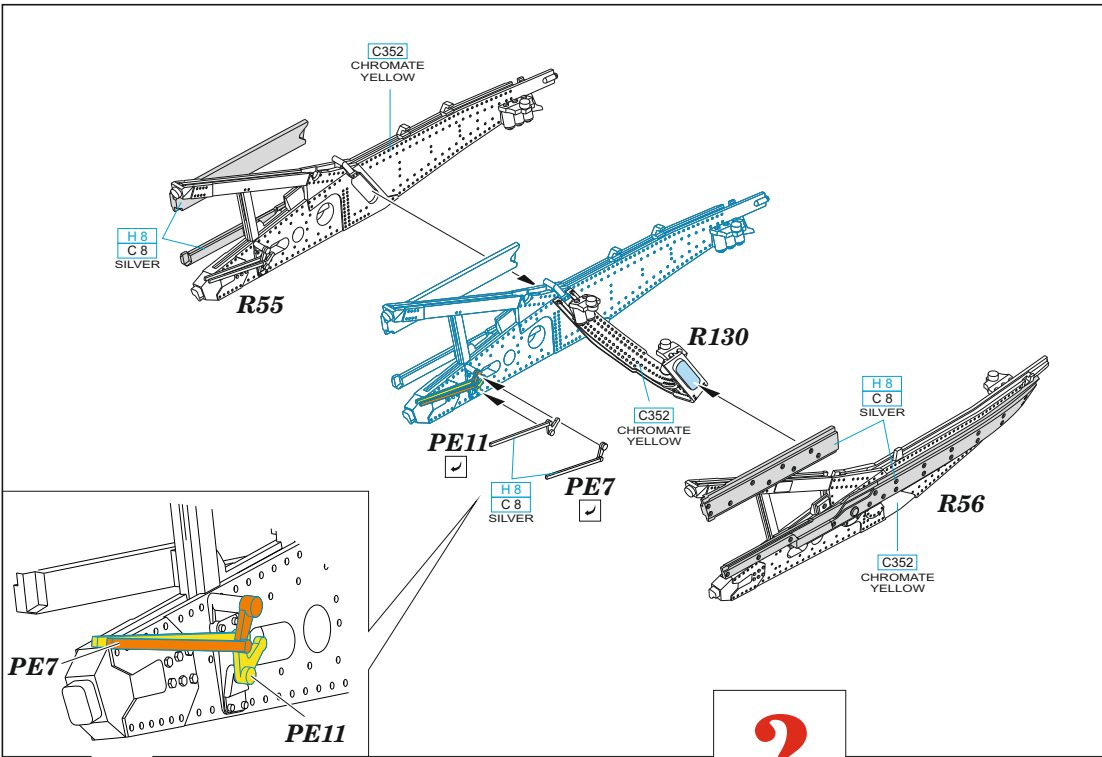


6



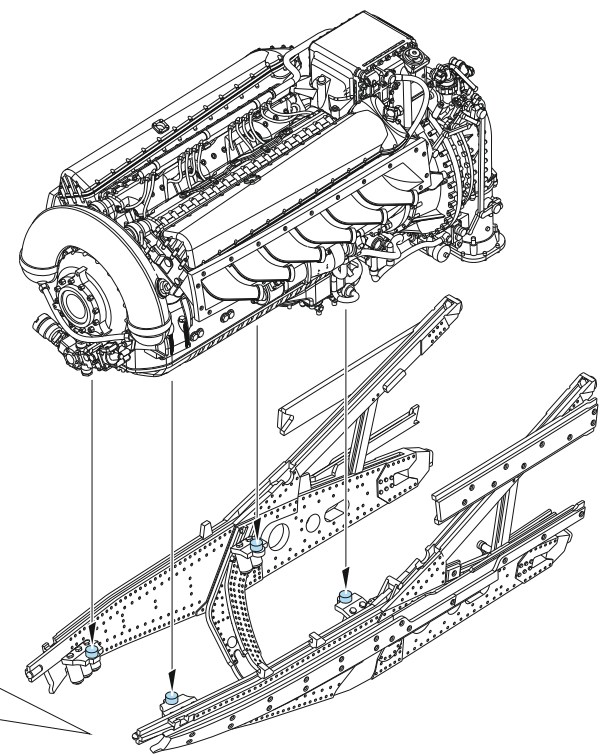


CAMOUFLAGE COLOR

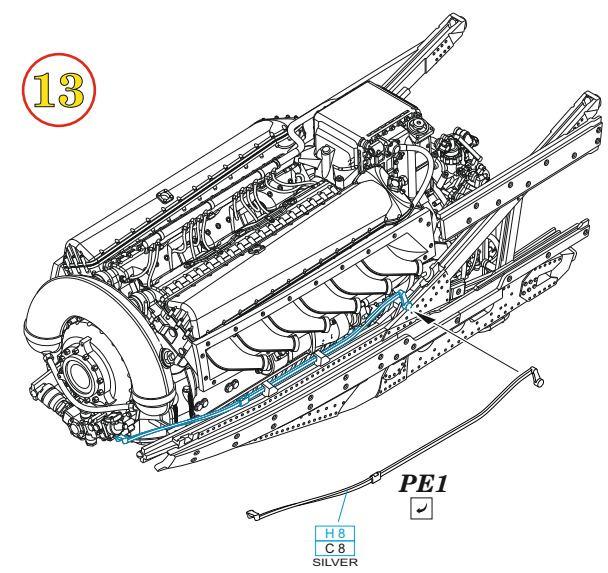


**FOR
VERSION
P-51B-5,
P-51C-1
ONLY**

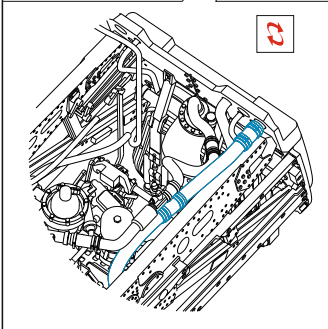
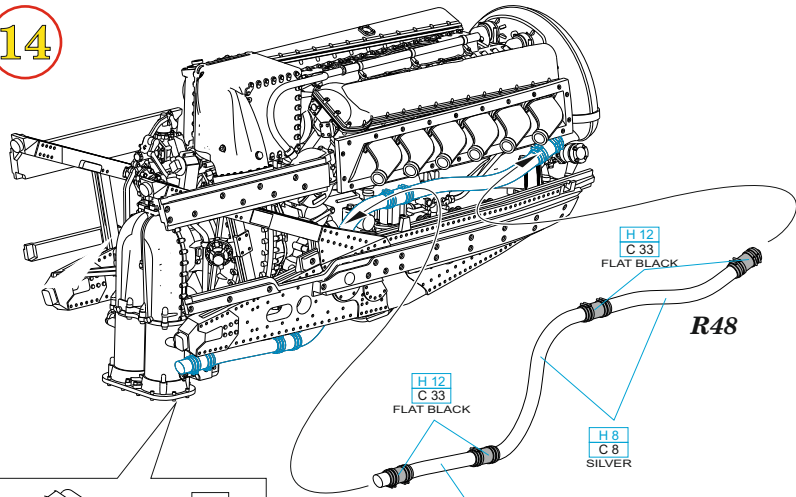
12



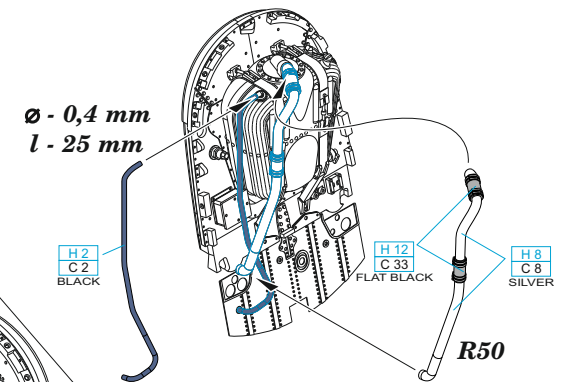
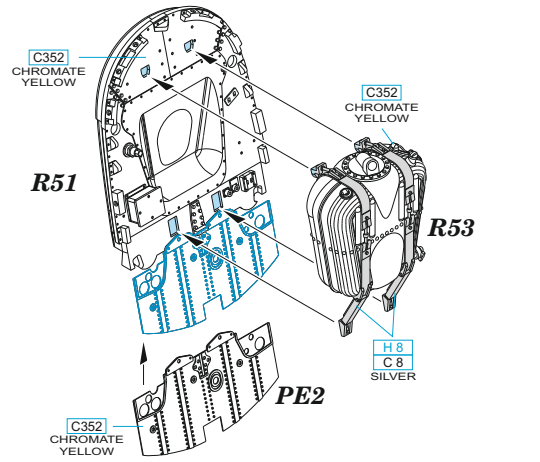
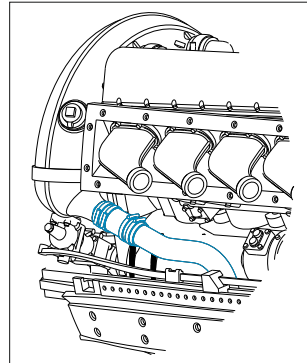
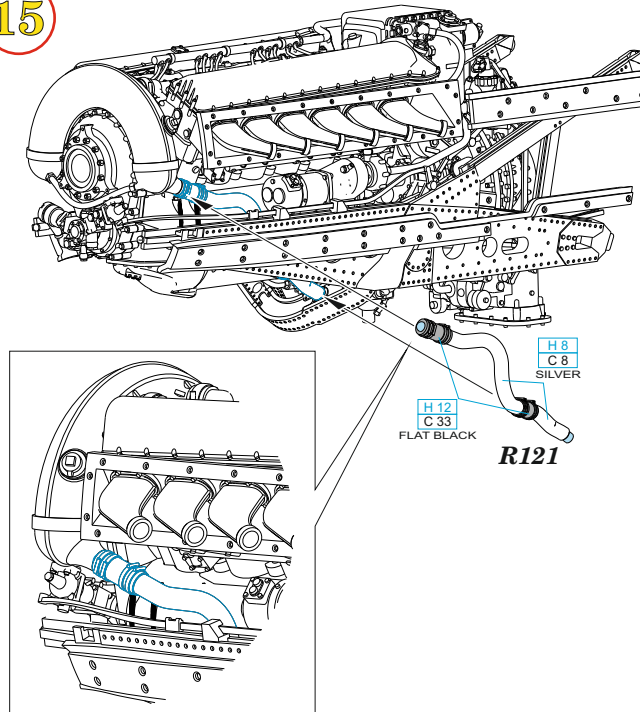
13



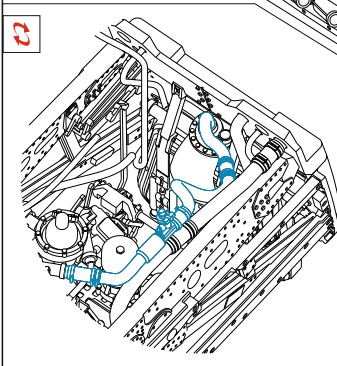
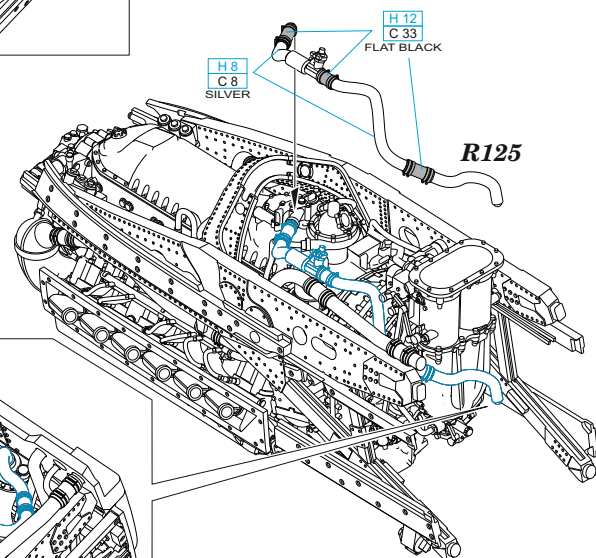
14



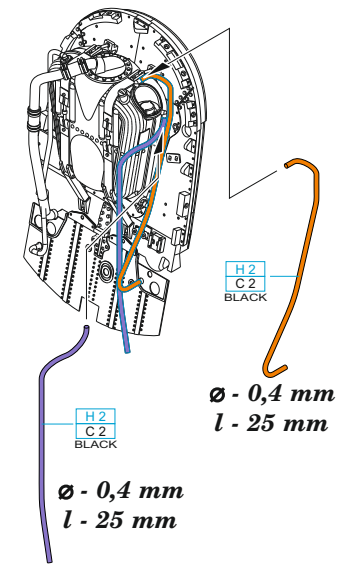
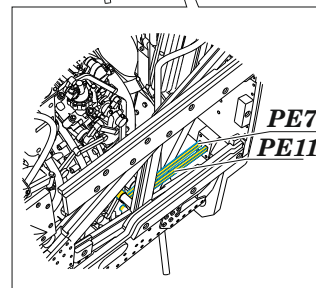
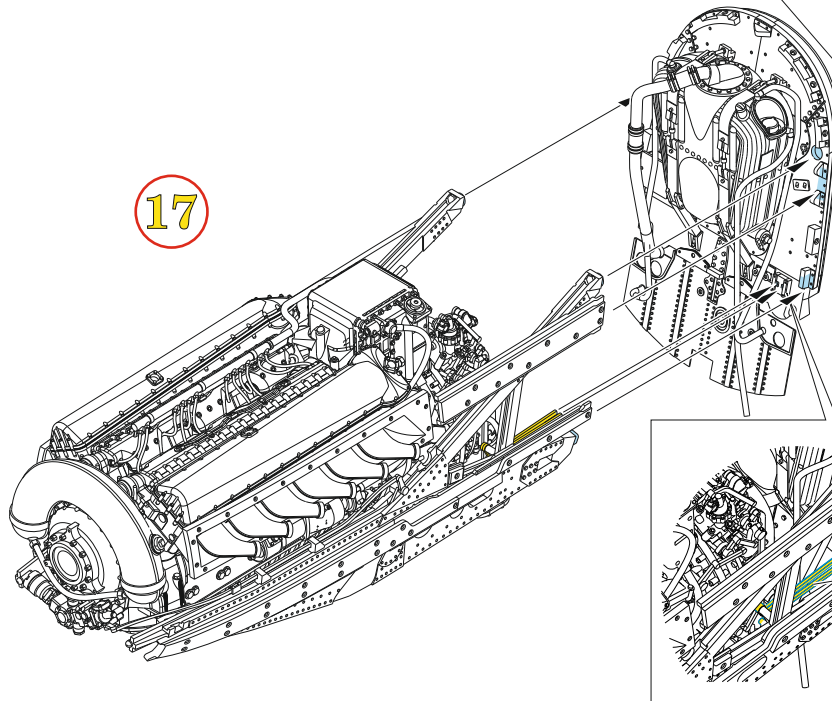
15



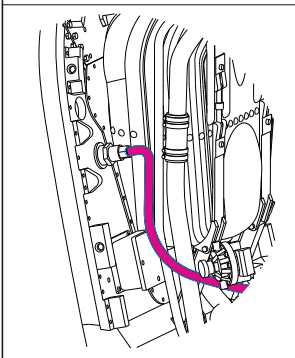
16



17

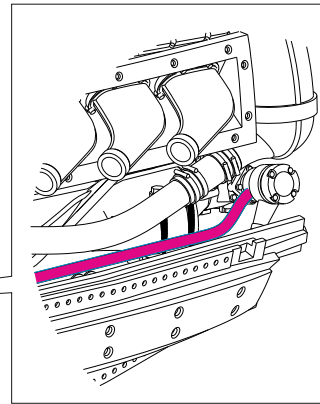
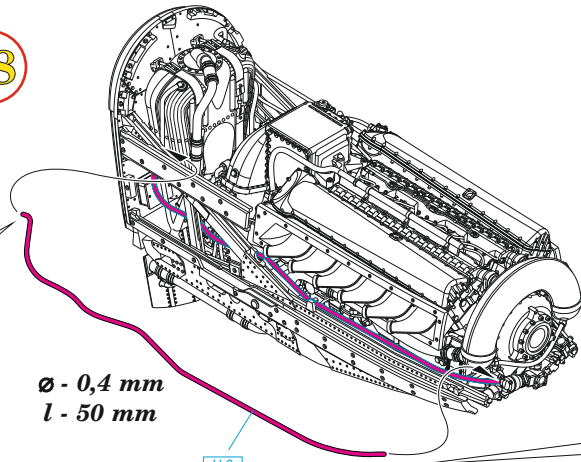


18

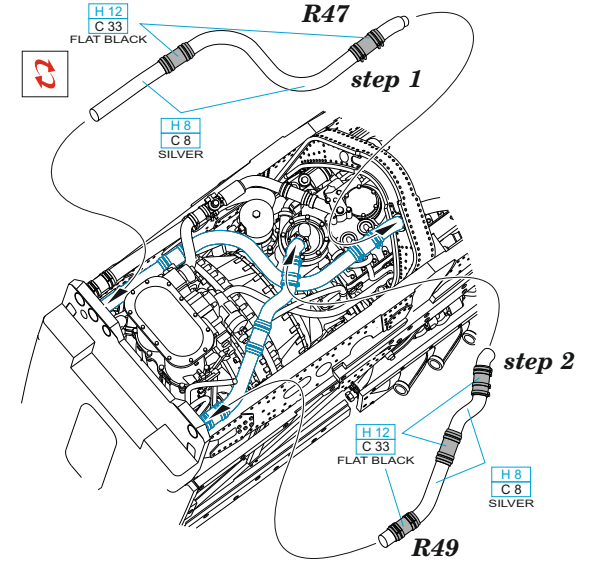


Ø - 0,4 mm
l - 50 mm

H8
C8
SILVER



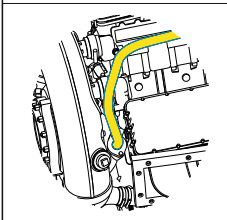
19



step 1

step 2

20



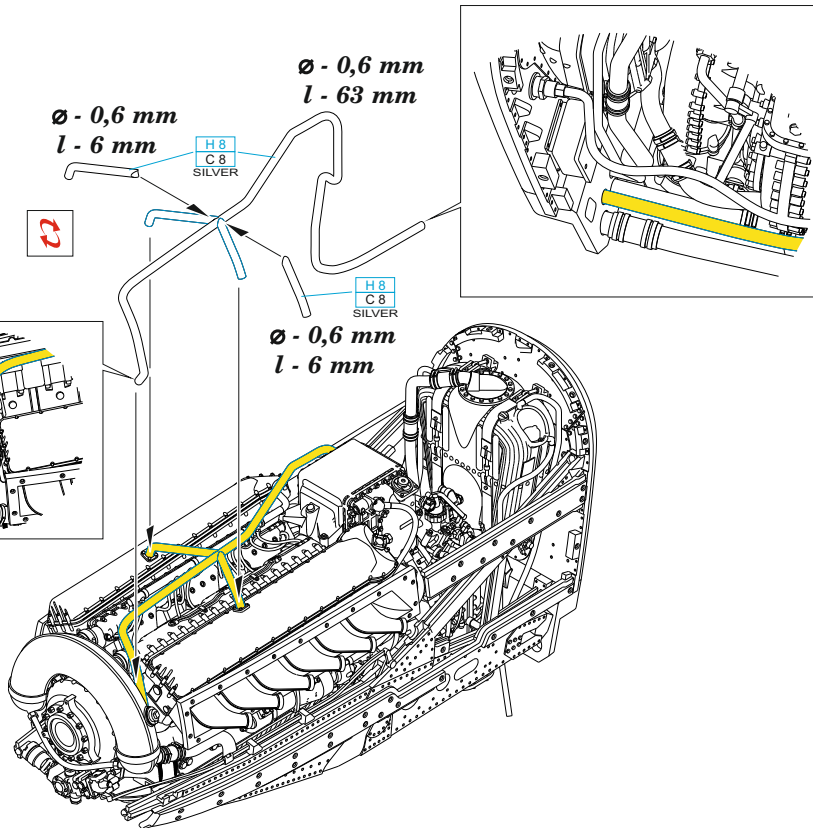
Ø - 0,6 mm
l - 6 mm

H8
C8
SILVER

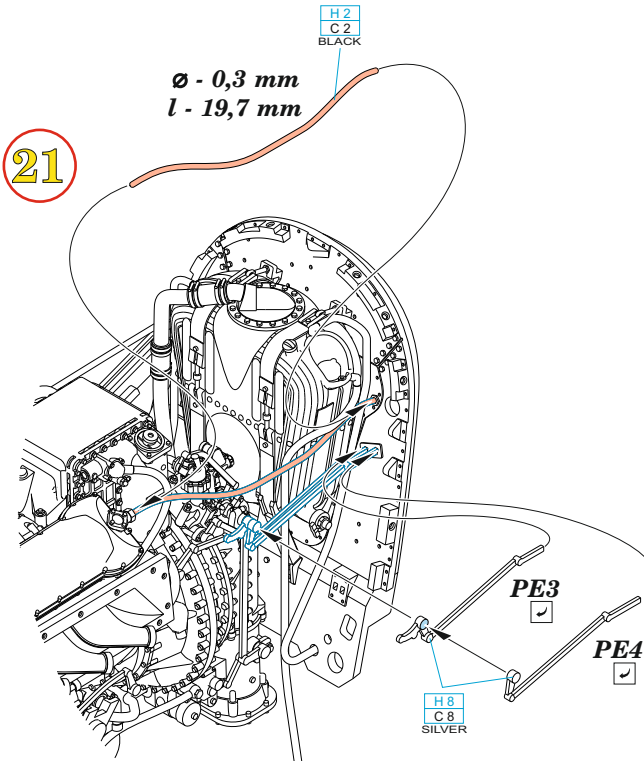
Ø - 0,6 mm
l - 63 mm

H8
C8
SILVER

Ø - 0,6 mm
l - 6 mm



21



Ø - 0,3 mm
l - 19,7 mm

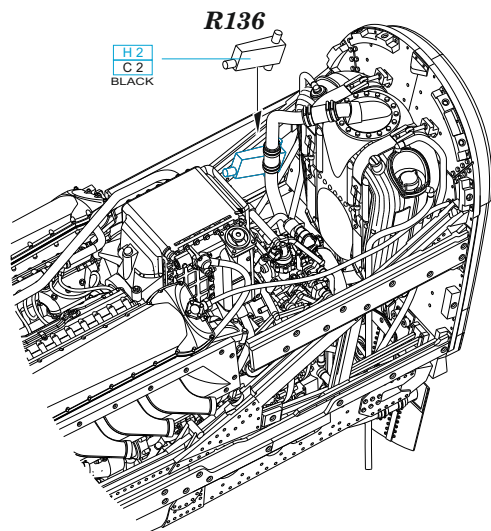
H2
C2
BLACK

H8
C8
SILVER

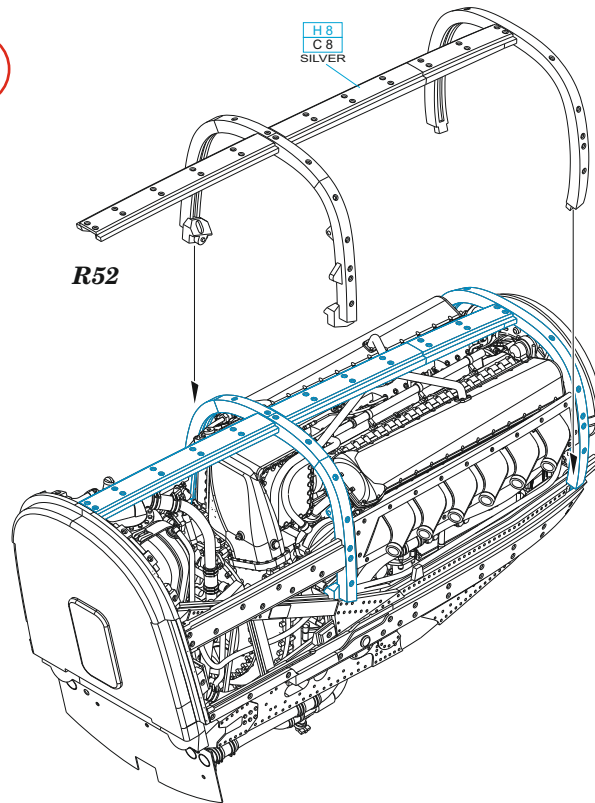
PE3

PE4

22



23



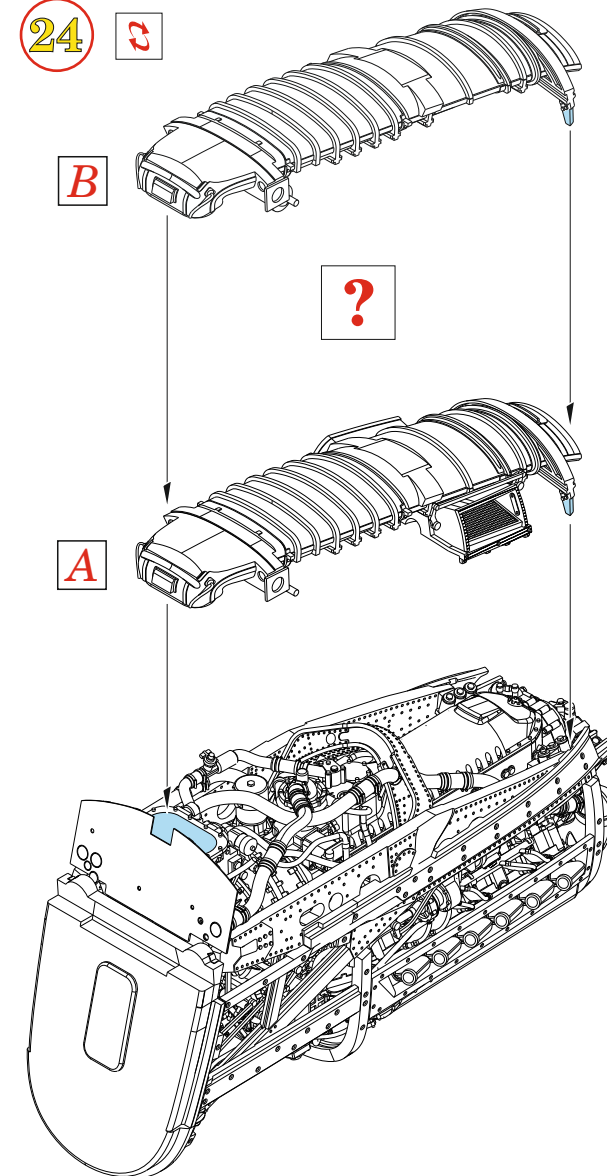
24



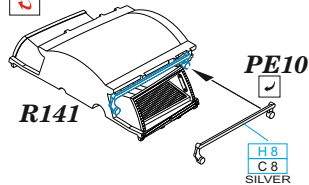
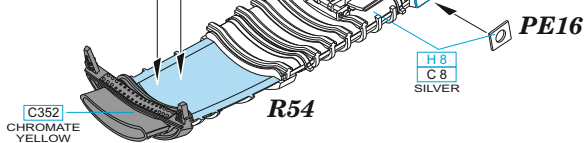
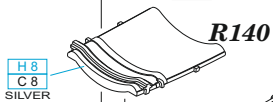
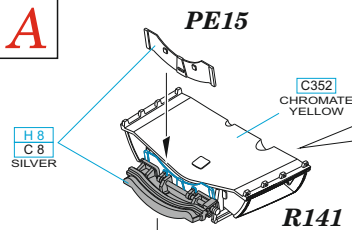
B



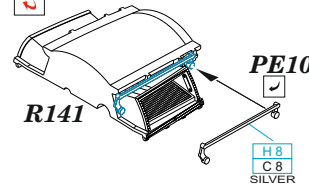
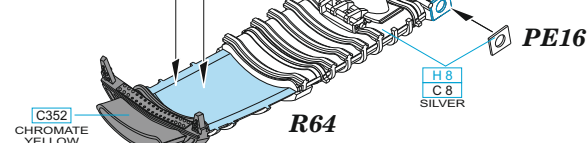
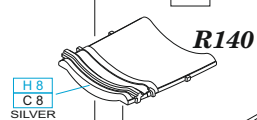
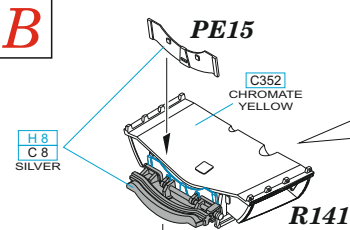
A



A

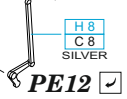
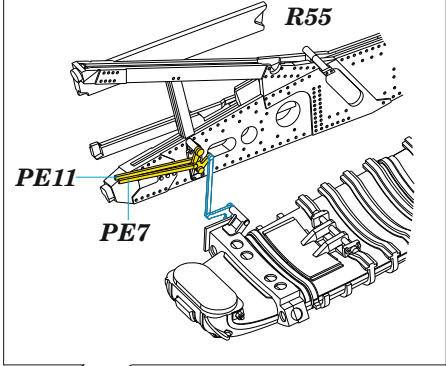
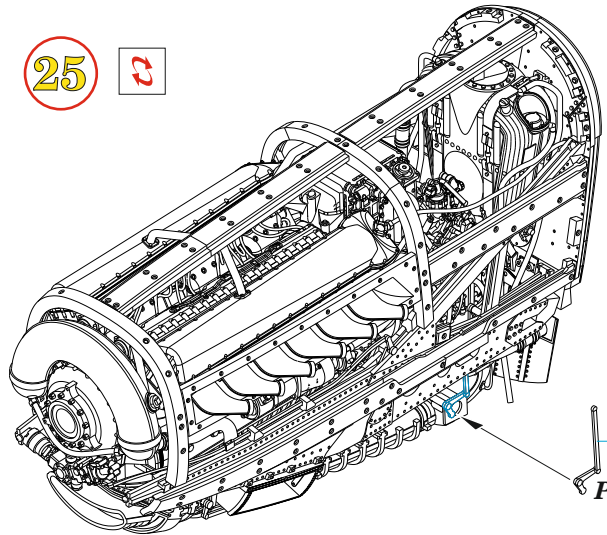


B

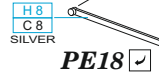
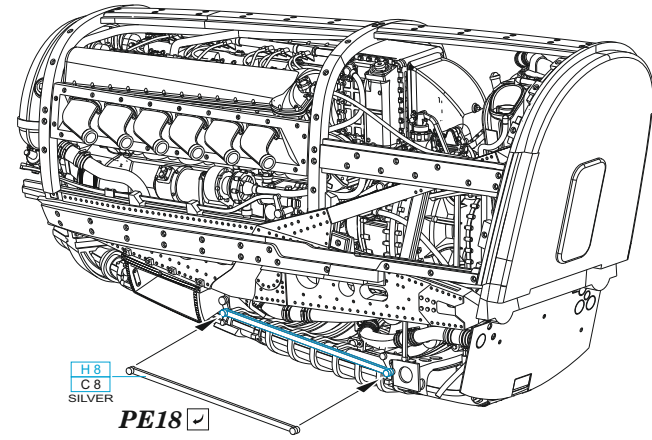


FOR P-51B-5, P-51C-1 ONLY

25

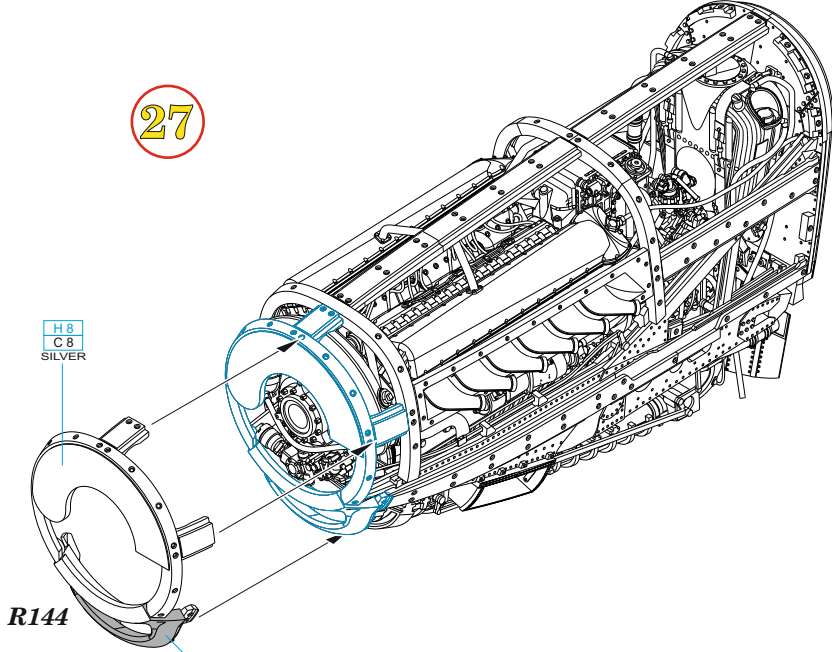


26



PE18 with parts R141 + PE15 + PE10 only

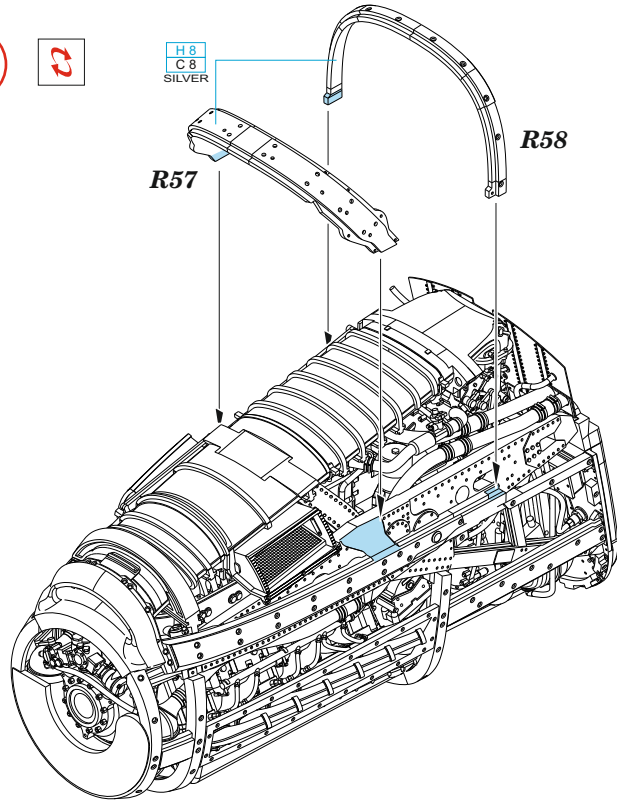
27



R144

CAMOUFLAGE COLOR

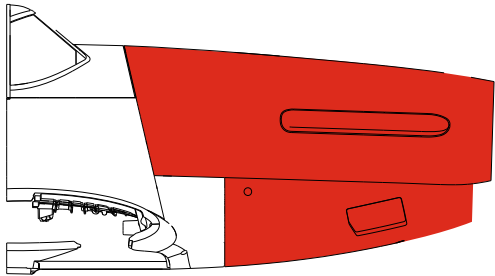
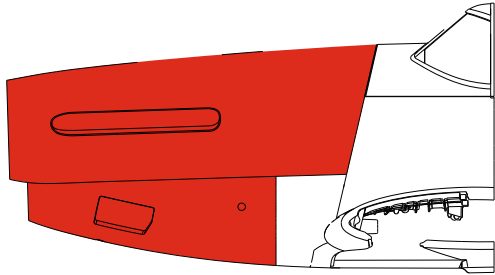
28



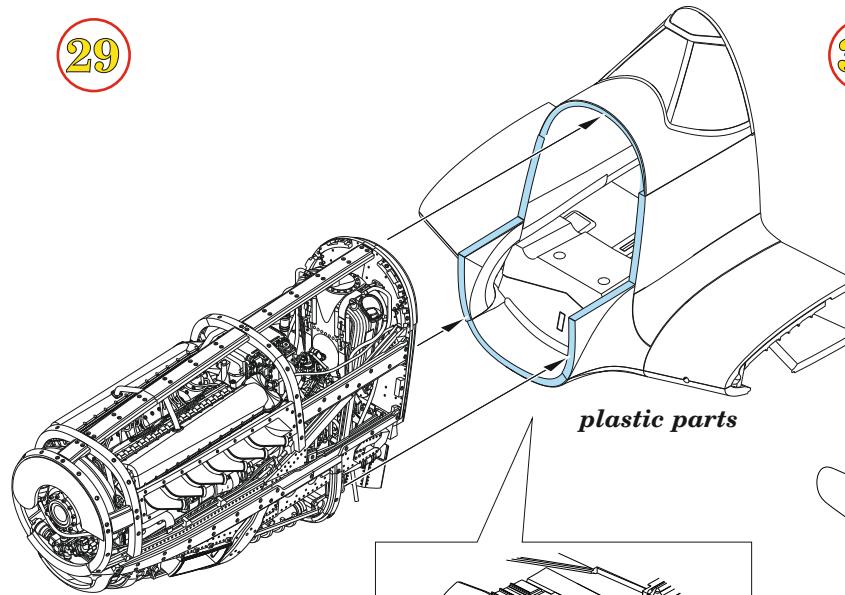
R57

R58

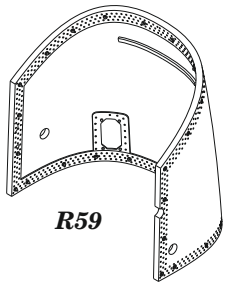
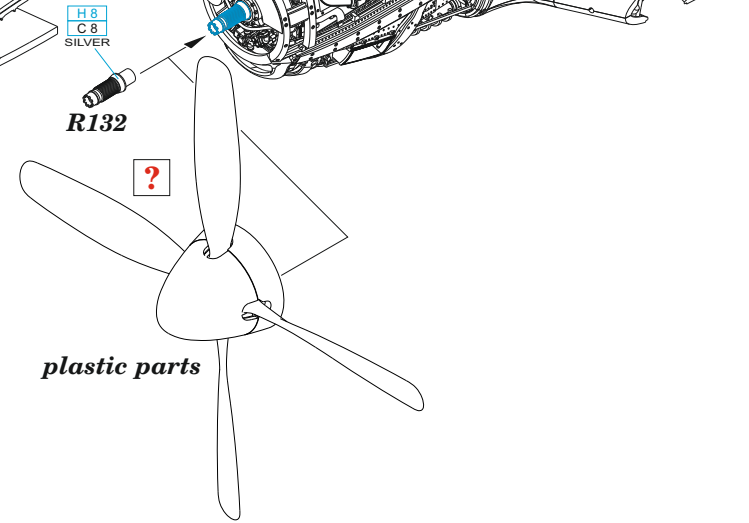
 =  plastic parts



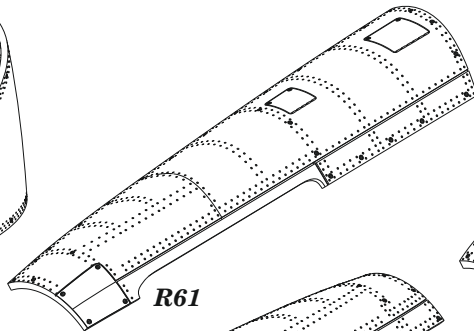
29



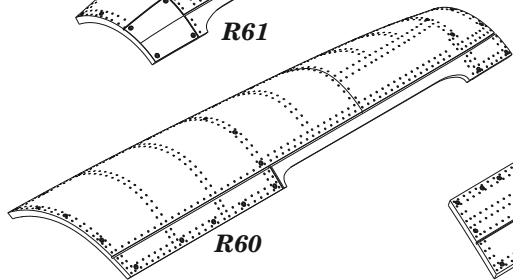
30



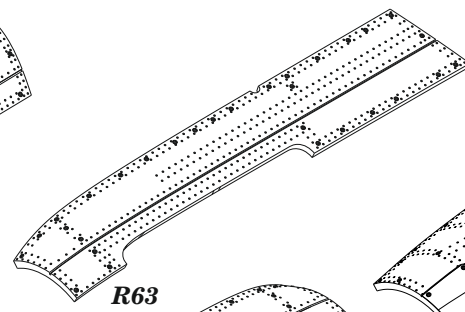
R59



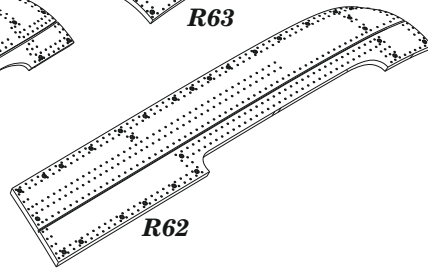
R61



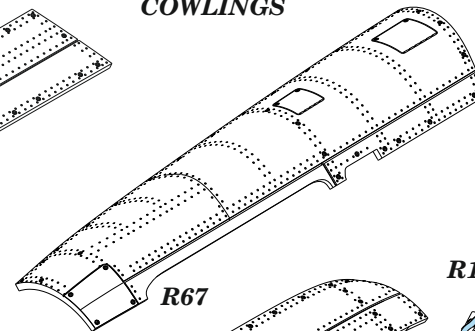
R60



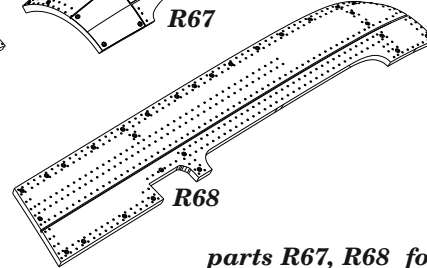
R63



R62



R67



R68

COWLINGS

parts R67, R68 for
P-51B-5 & P-51C-1 only

INNER SURFACES

C352
CHROMATE
YELLOW

OUTER SURFACES
camouflage color or NMF

