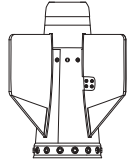


R1 X4



R2 X4



USE A SAW TO REMOVE SUPPORTS
FROM 3D PRINTED PARTS

DETAILS AFTER REMOVAL FROM SUPPORTS



R5 X4



R6 X4



R7 X4



R8 X4



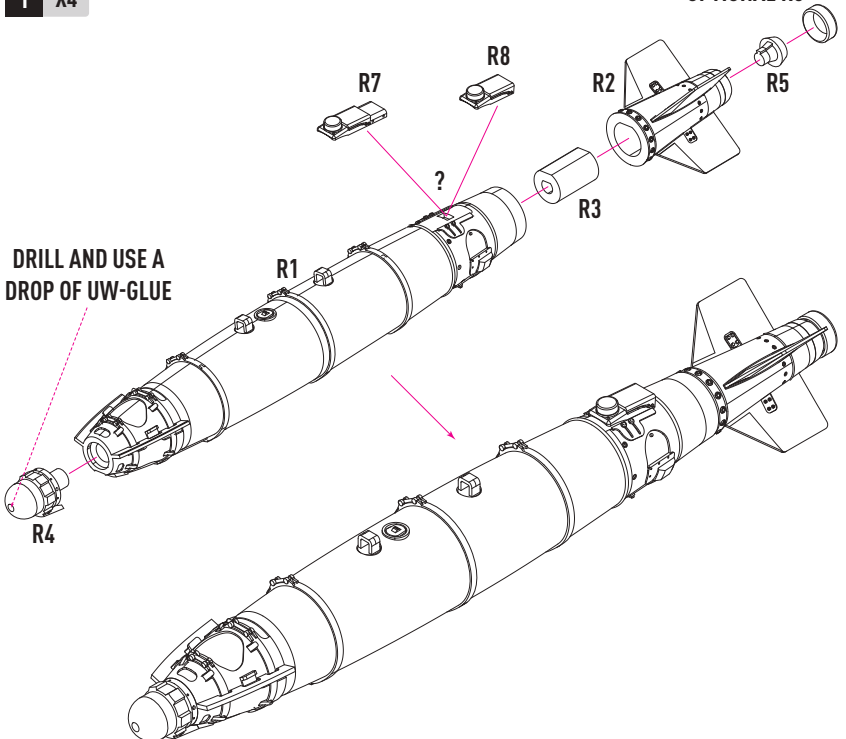
R4 X4



R3 X4

1 X4

OPTIONAL R6



DRILL AND USE A
DROP OF UW-GLUE

R4

R1

R7

R8

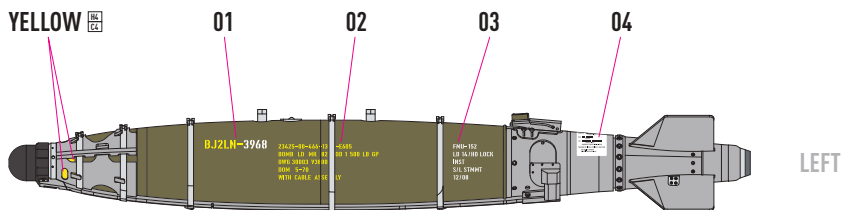
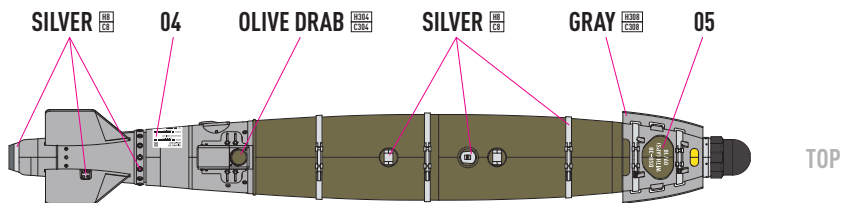
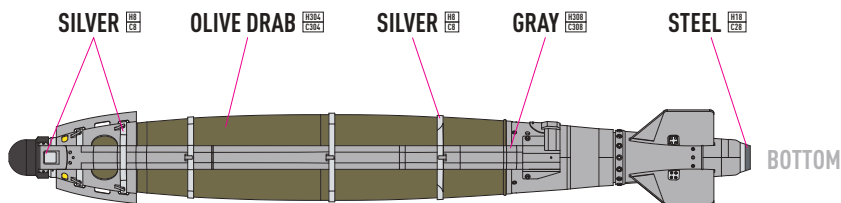
R2

R5

R3

COLORS	GUNZE / AEGISUS	GUNZE / MR.COLOR	FEDERAL STANDARD
OLIVE DRAB	H304	C304	FS 34087
YELLOW	H4	C4	FS 33538
FLAT BLACK	H12	C33	

COLORS	GUNZE / AEGISUS	GUNZE / MR.COLOR	FEDERAL STANDARD
GRAY	H308	C308	FS 36375
STEEL	H18	C28	
SILVER	H8	C8	



FUZING OPTIONS

DSU-38A/B PLGS WITH ADJUSTABLE PROXIMITY SENSOR (APS)		R4
AJ SAASM GPS ANTENNA (OPTIONAL)		R6