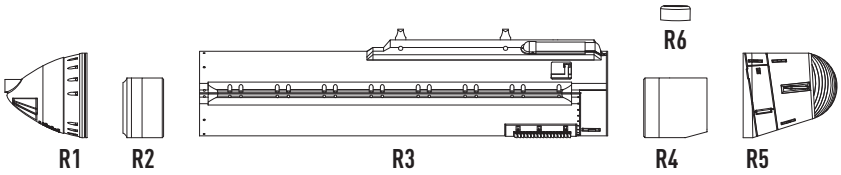
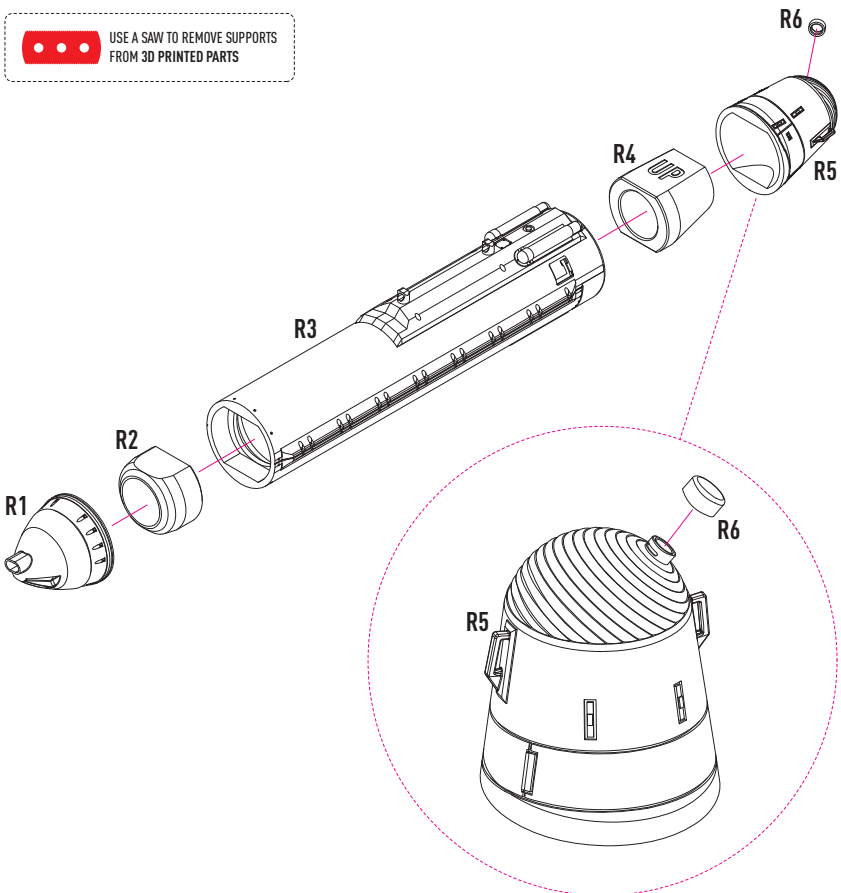


DETAILS AFTER REMOVAL FROM SUPPORTS



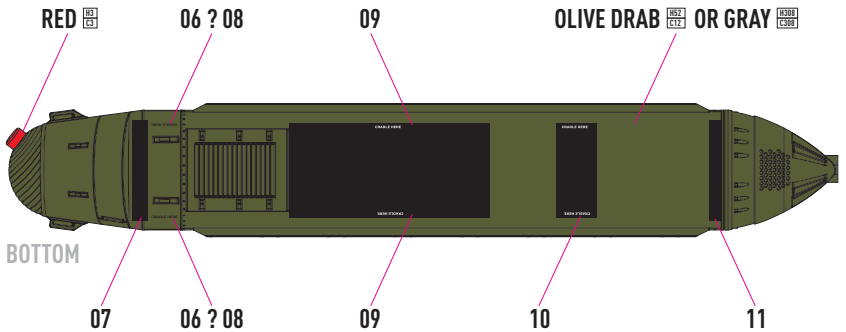
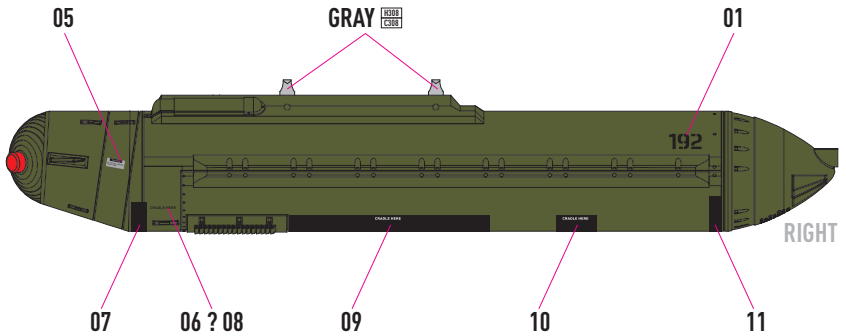
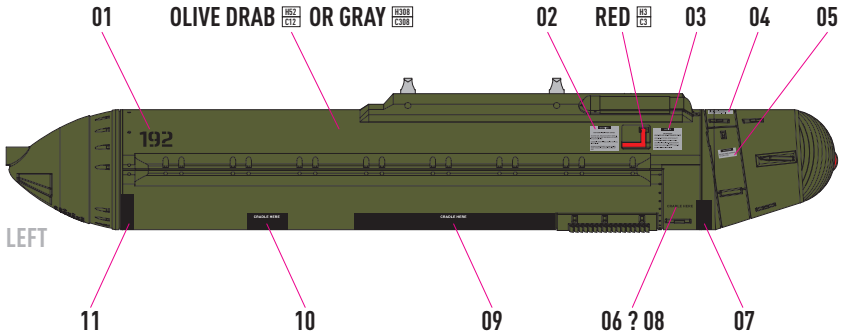
 USE A SAW TO REMOVE SUPPORTS
FROM 3D PRINTED PARTS



GPU-5/A 30MM GUN POD

A-4, A-7, AV-8B, F-4, F-5A, F-16, F/A-18

DECAL INSTRUCTION **RS48-0138**



COLORS	GUNZE / ADEOUS	GUNZE / MR.COLOR
OLIVE DRAB	H52	C12

COLORS	GUNZE / ADEOUS	GUNZE / MR.COLOR
GRAY	H308	C308

COLORS	GUNZE / ADEOUS	GUNZE / MR.COLOR
RED	H3	C3