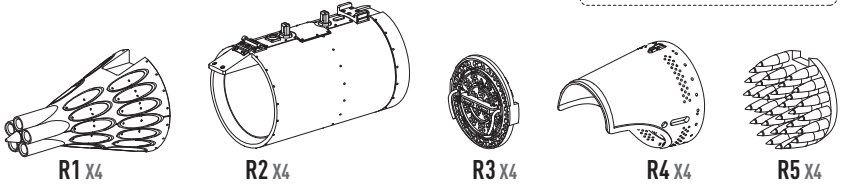
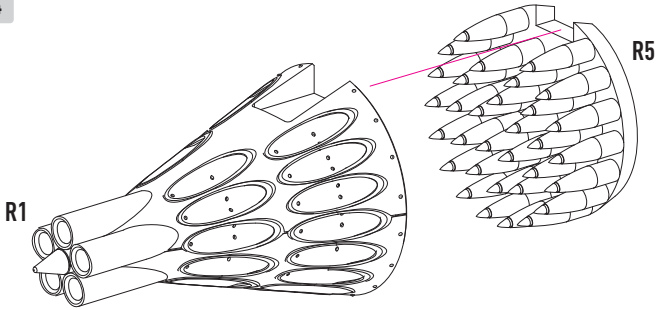


### DETAILS AFTER REMOVAL FROM SUPPORTS

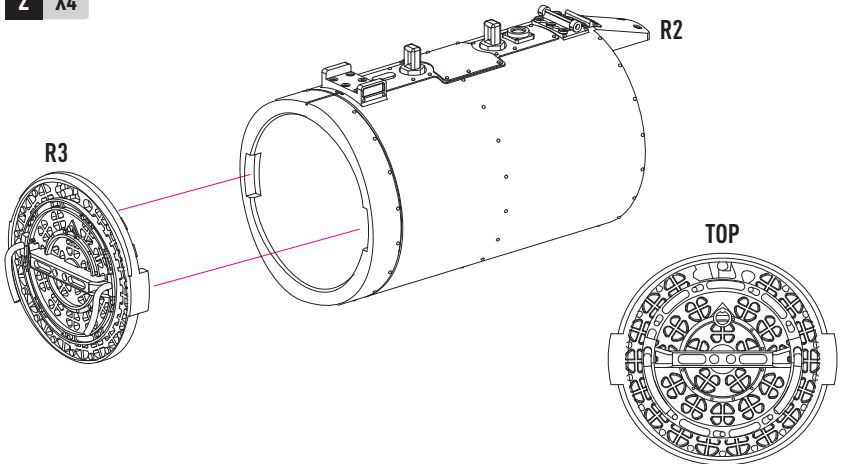
USE A SAW TO REMOVE SUPPORTS  
FROM 3D PRINTED PARTS



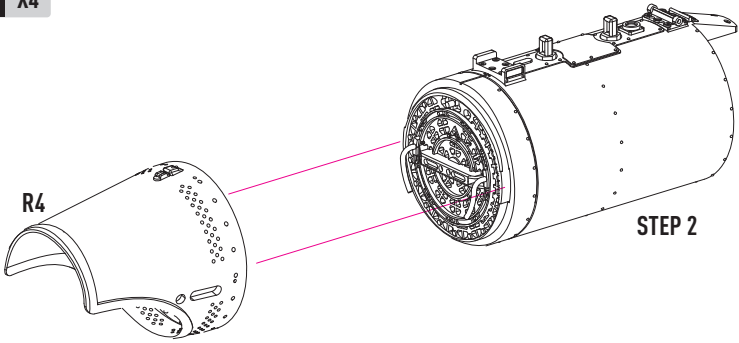
### 1 X4



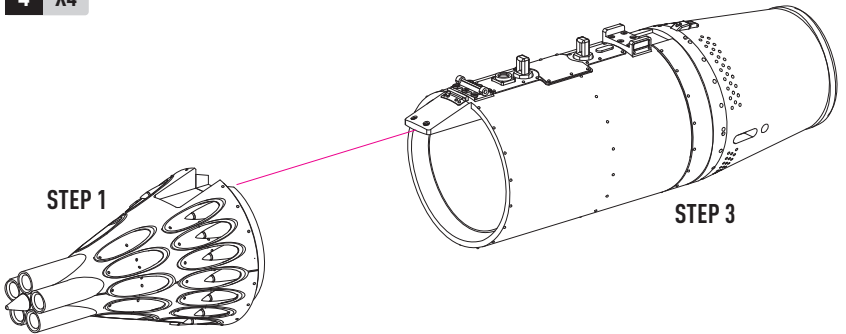
### 2 X4



**3** X4



**4** X4



### DECAL INSTRUCTION

