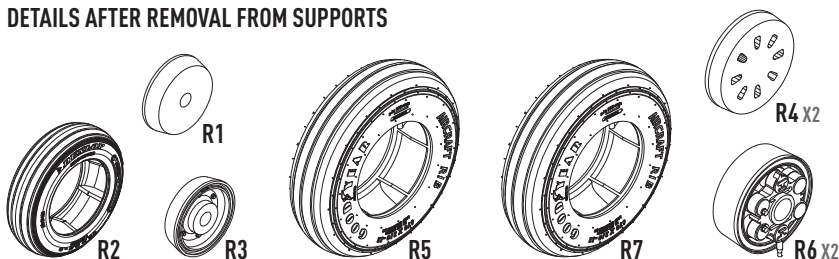
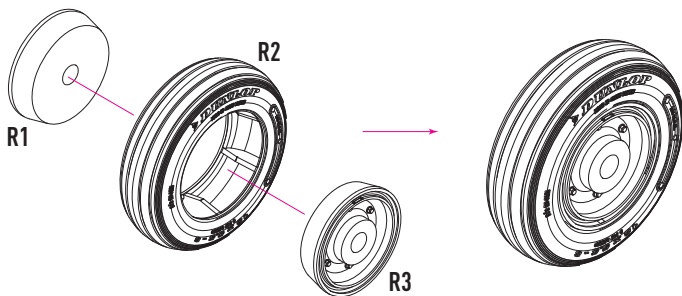


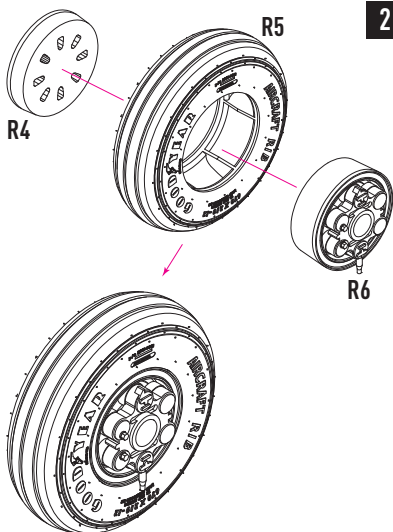
DETAILS AFTER REMOVAL FROM SUPPORTS



1



2



3

