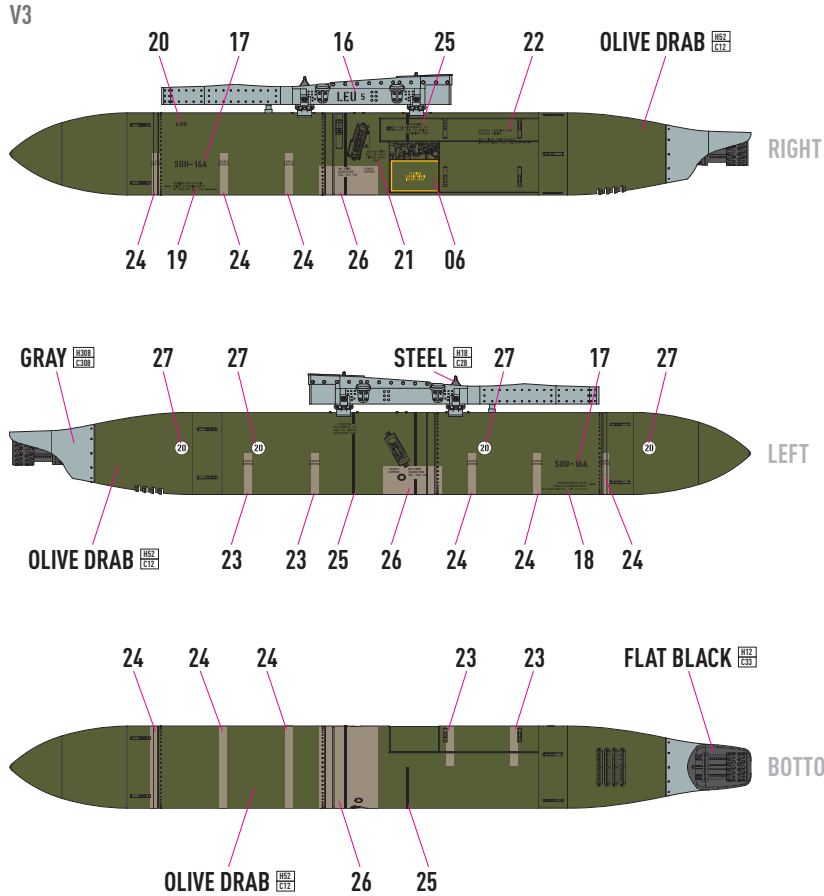


## SUU-16A 20MM GUN POD (OPEN GUN BAY) WITH CENTERLINE PYLON FOR F-4 "PHANTOM II" (C,D)

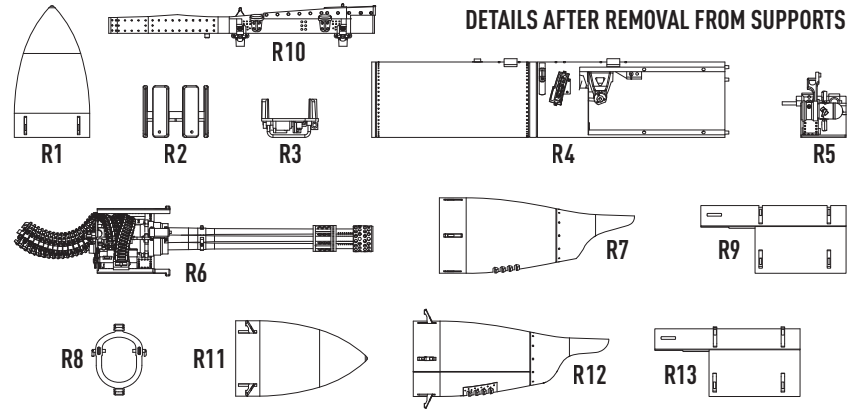
DECAL INSTRUCTION **RS48-0470**



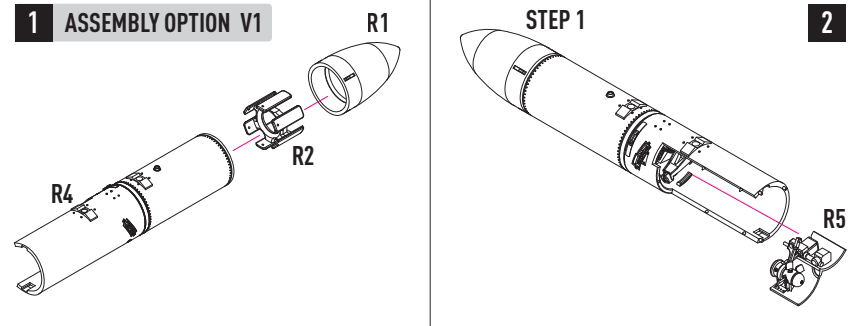
COLORS	GUNZE / AQUEOUS	GUNZE / MR.COLOR
OLIVE DRAB	H52	C12
KHAKI	H84	C55
STEEL	H18	C28
GRAY	H308	C308
FLAT BLACK	H12	C33

## SUU-16A 20MM GUN POD (OPEN GUN BAY) WITH CENTERLINE PYLON FOR F-4 "PHANTOM II" (C,D)

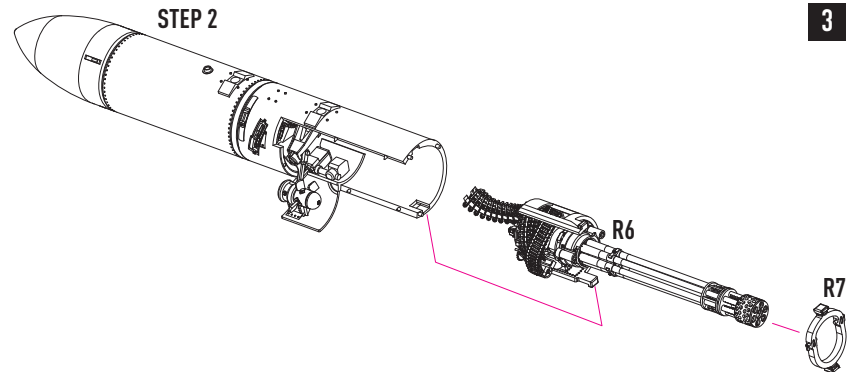
INSTRUCTION **RS48-0470**



### 1 ASSEMBLY OPTION V1

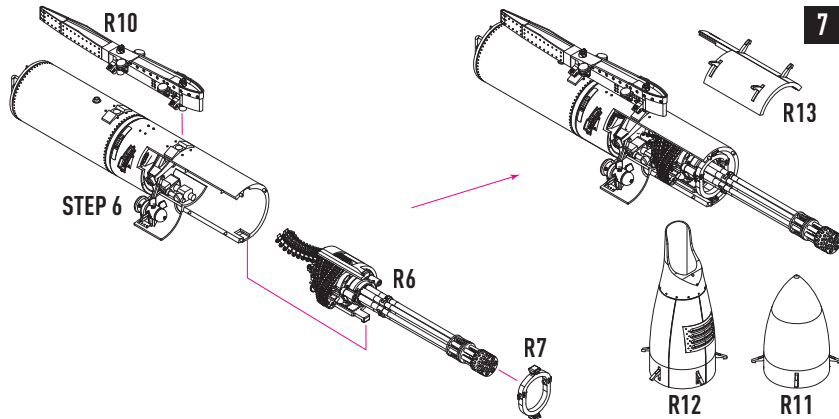
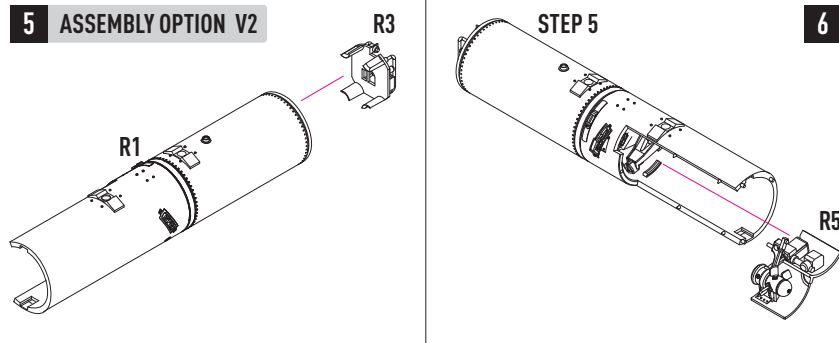
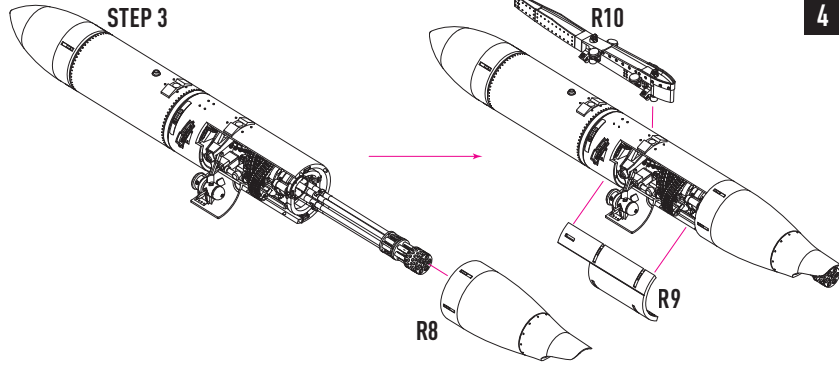


### STEP 2



**SUU-16A 20MM GUN POD**  
(OPEN GUN BAY) WITH CENTERLINE PYLON  
FOR F-4 "PHANTOM II" (C,D)

INSTRUCTION **RS48-0470**



**SUU-16A 20MM GUN POD**  
(OPEN GUN BAY) WITH CENTERLINE PYLON  
FOR F-4 "PHANTOM II" (C,D)

DECAL INSTRUCTION **RS48-0470**

