

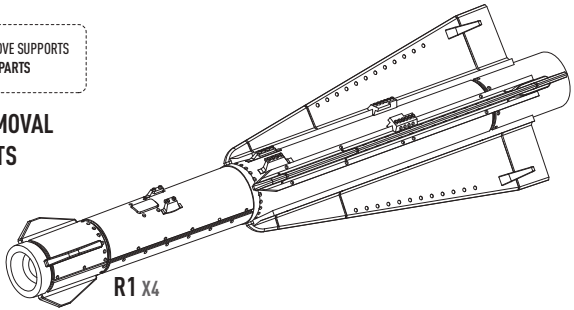


USE A SAW TO REMOVE SUPPORTS  
FROM 3D PRINTED PARTS

DETAILS AFTER REMOVAL  
FROM SUPPORTS

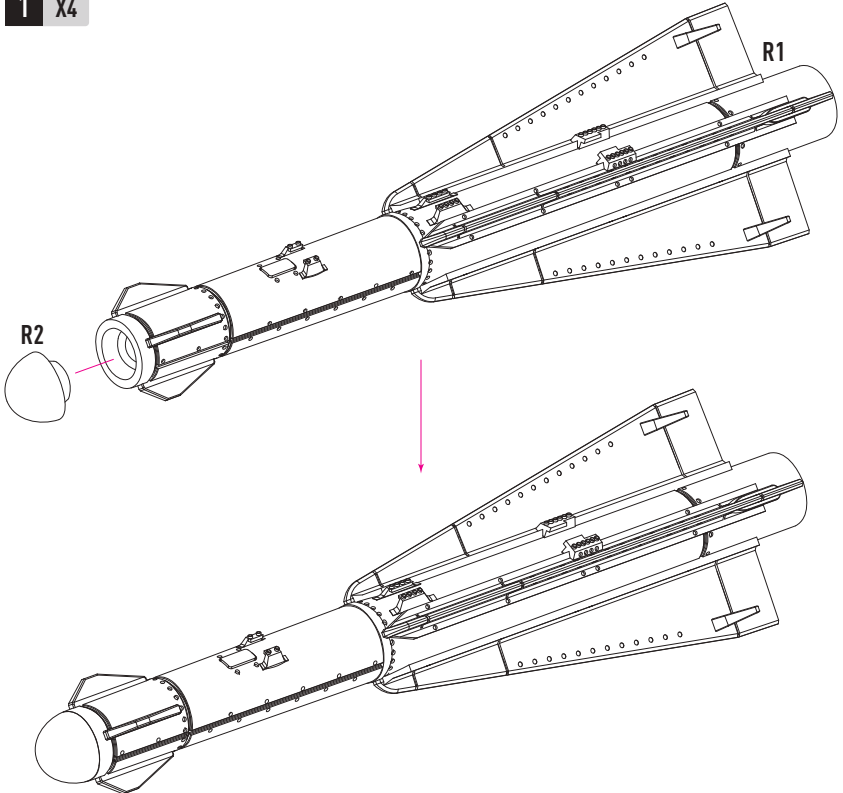


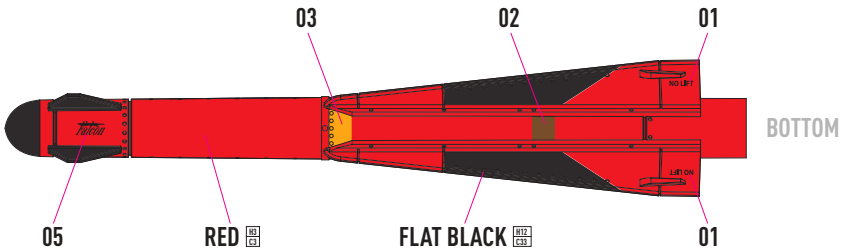
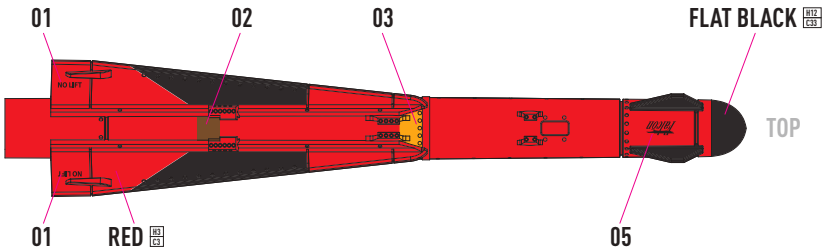
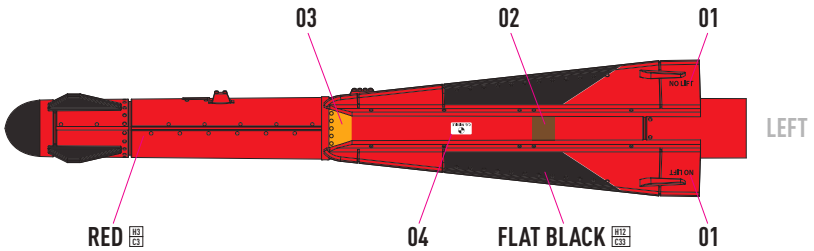
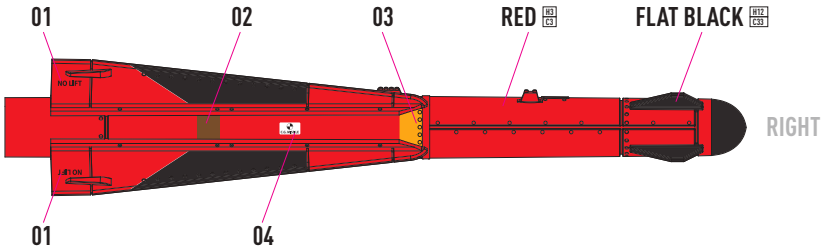
R2 X4



R1 X4

**1** X4





COLORS	GUNZE / AERBUS	GUNZE / MR.COLOR
RED	H3	C3

COLORS	GUNZE / AERBUS	GUNZE / MR.COLOR
FLAT BLACK	H12	C33