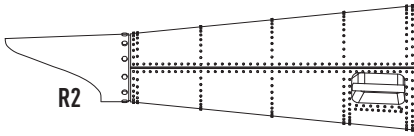
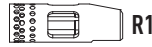


DETAILS AFTER REMOVAL FROM SUPPORTS



R2

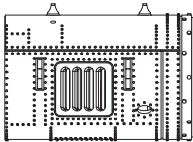
USE A SAW TO REMOVE SUPPORTS
FROM 3D PRINTED PARTS



R1



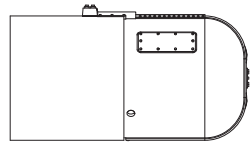
R3



R4

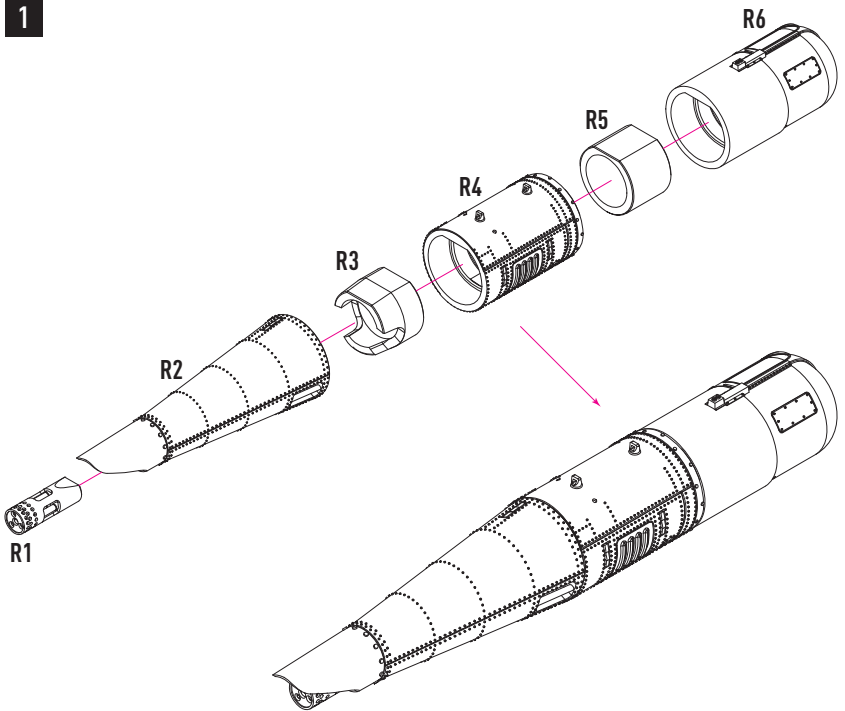


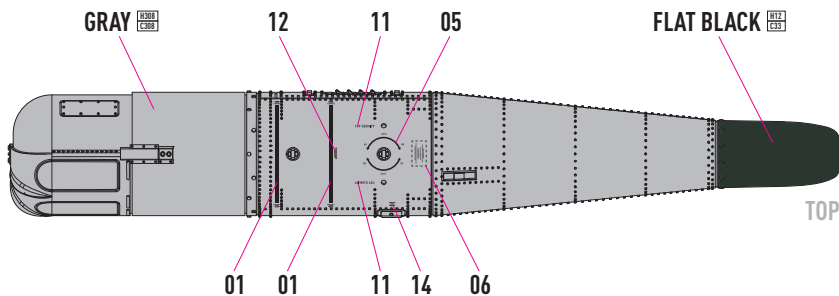
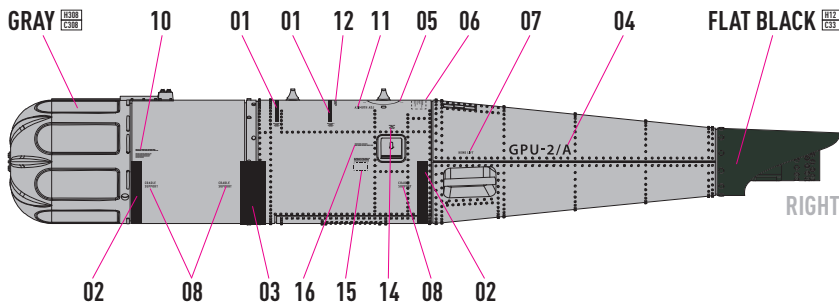
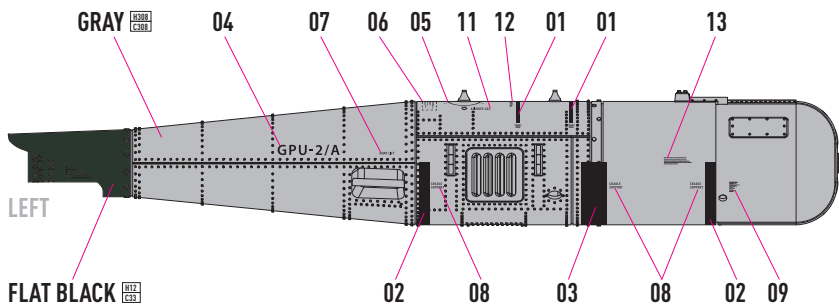
R5



R6

1





COLORS	GUNZE / AEGEUS	GUNZE / MR.COLOR
GRAY	H308	C308

COLORS	GUNZE / AEGEUS	GUNZE / MR.COLOR
FLAT BLACK	H12	C33