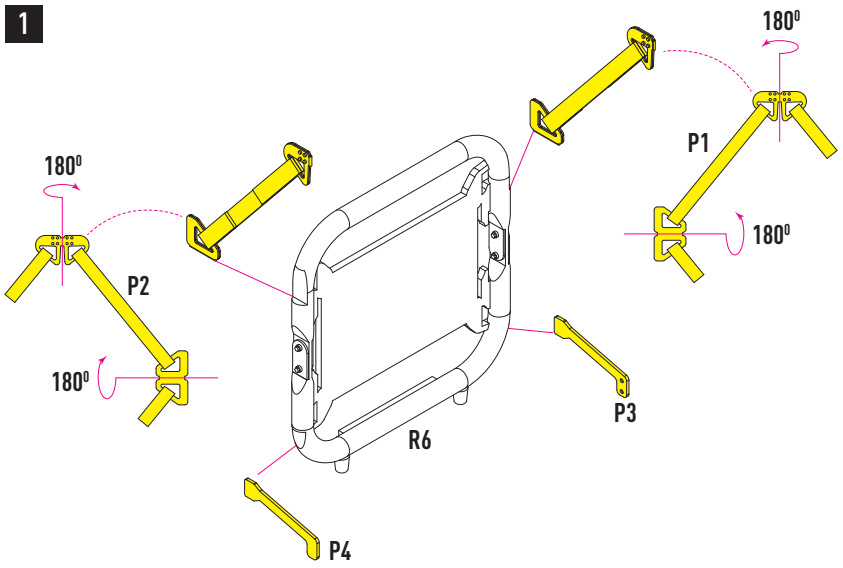
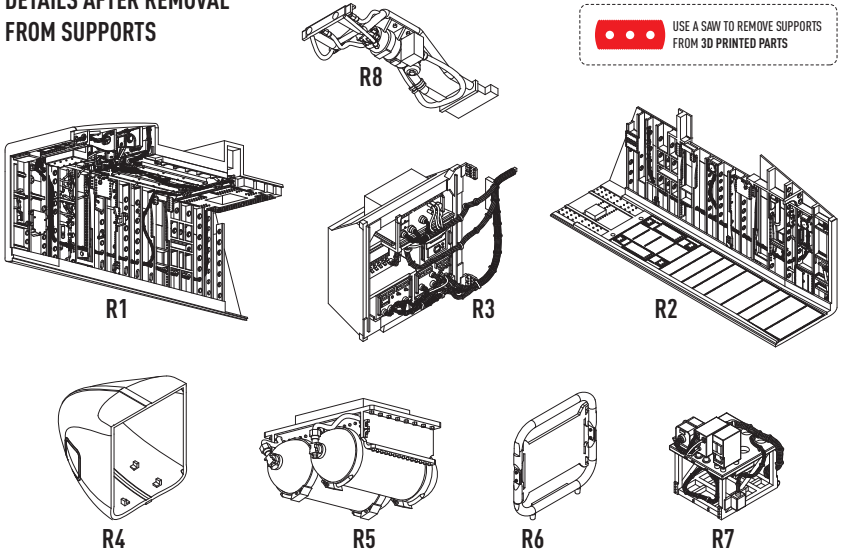
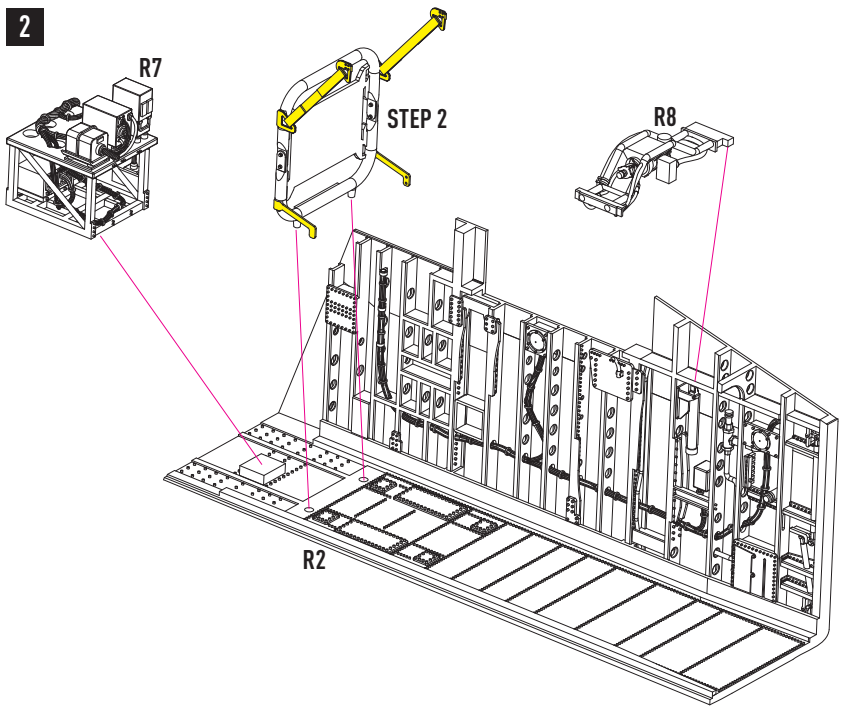


### DETAILS AFTER REMOVAL FROM SUPPORTS

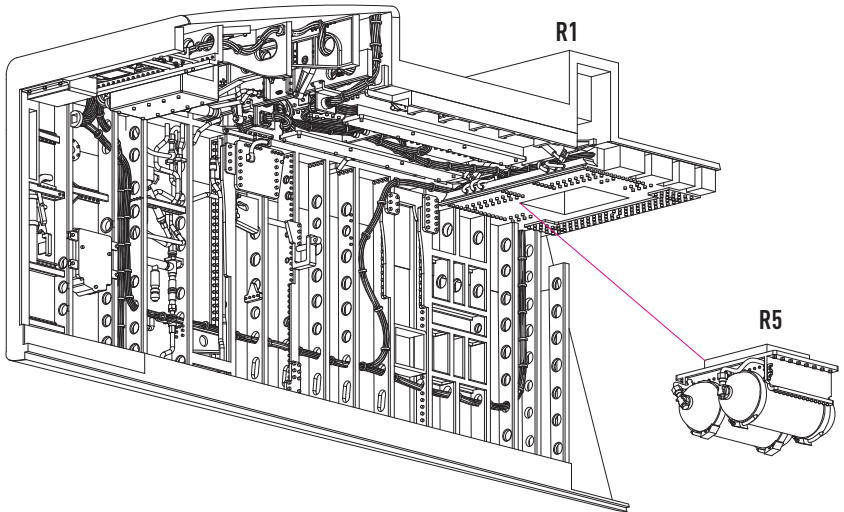
USE A SAW TO REMOVE SUPPORTS  
FROM 3D PRINTED PARTS



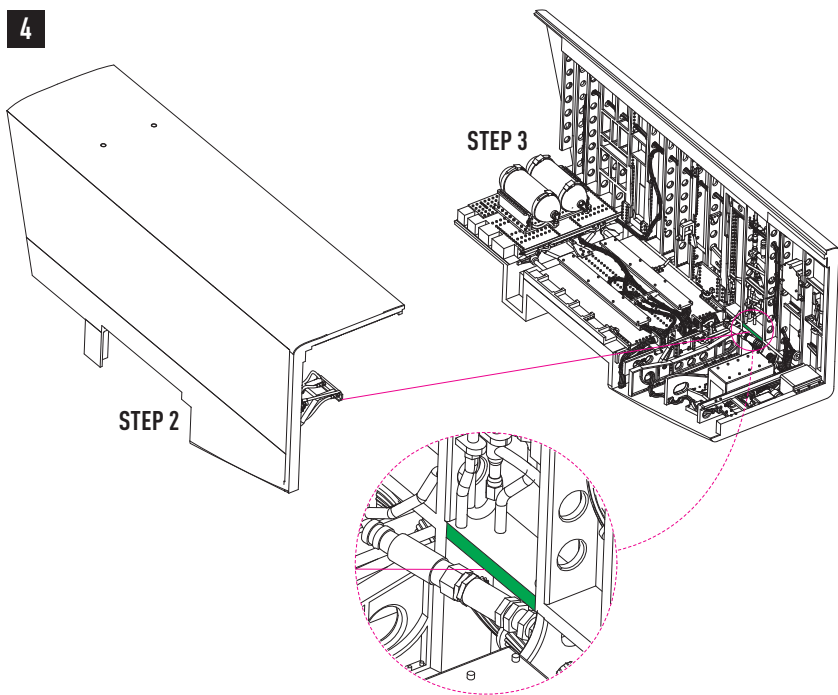
2



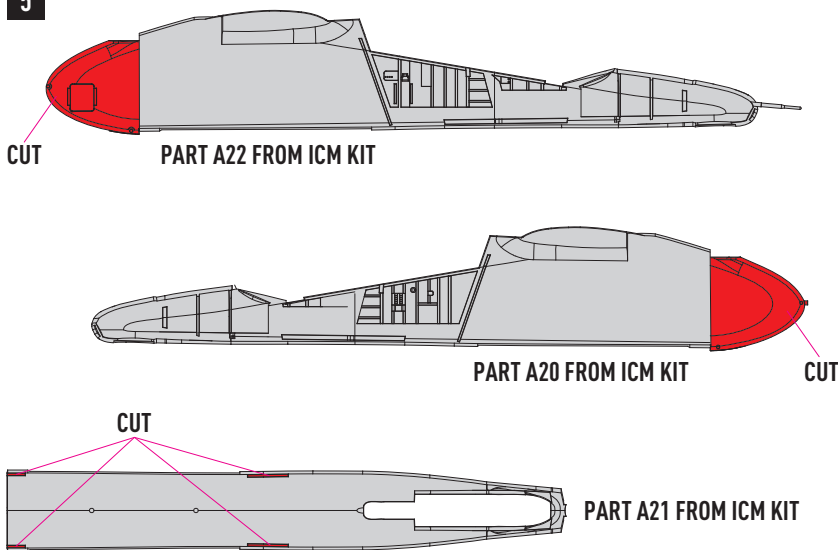
3



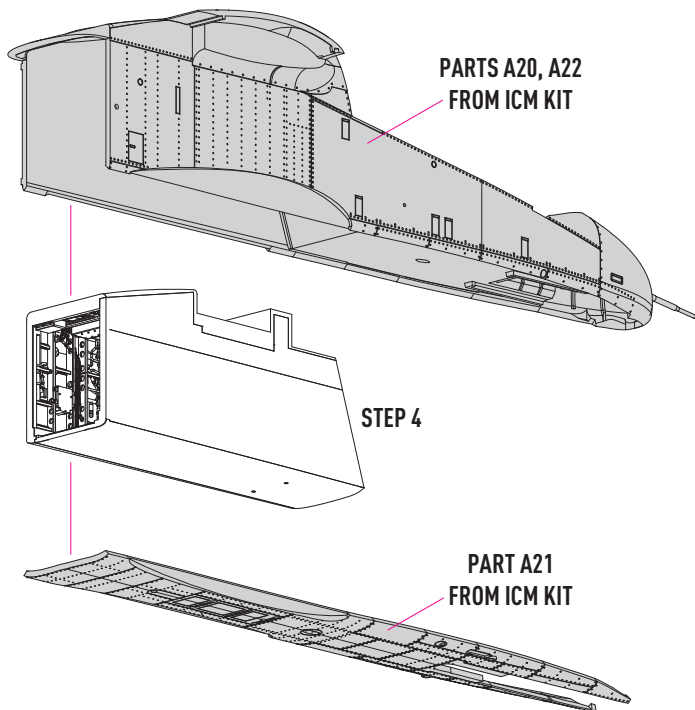
4



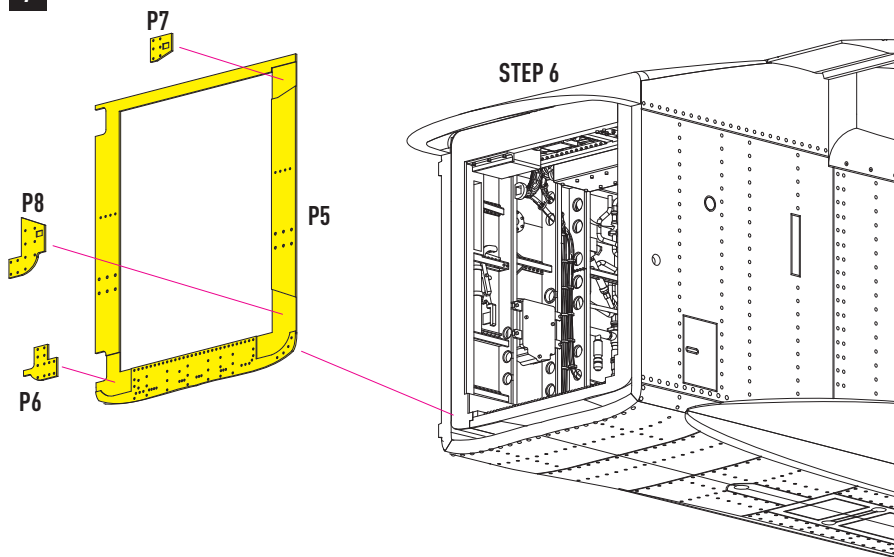
5



6

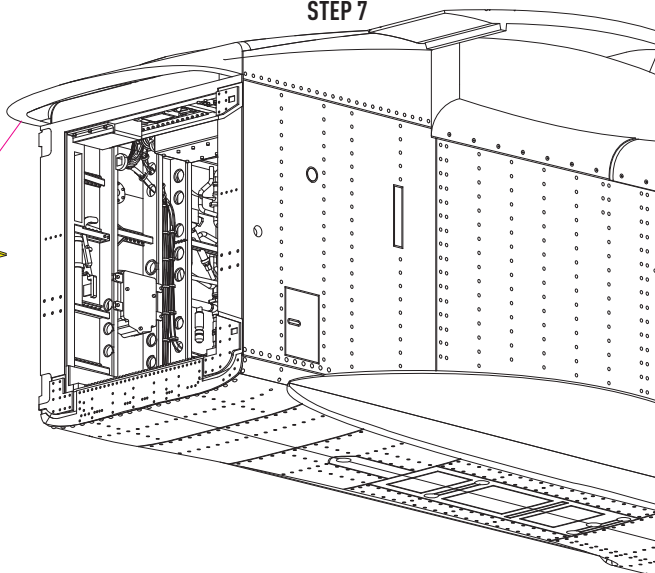
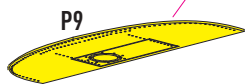


7

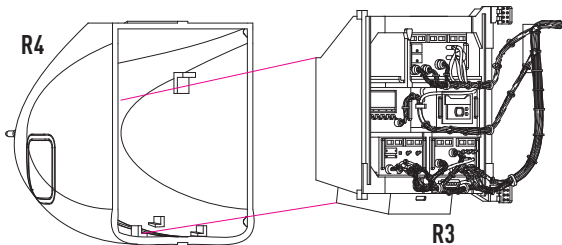
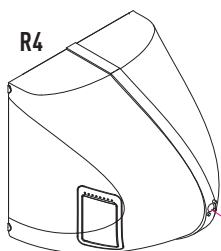


8

STEP 7



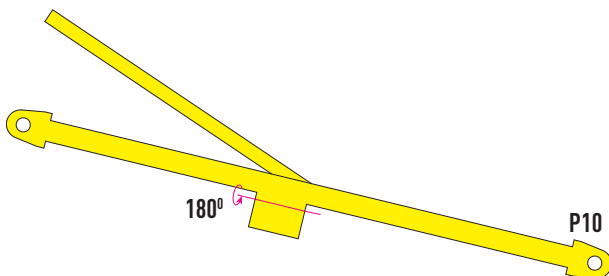
9

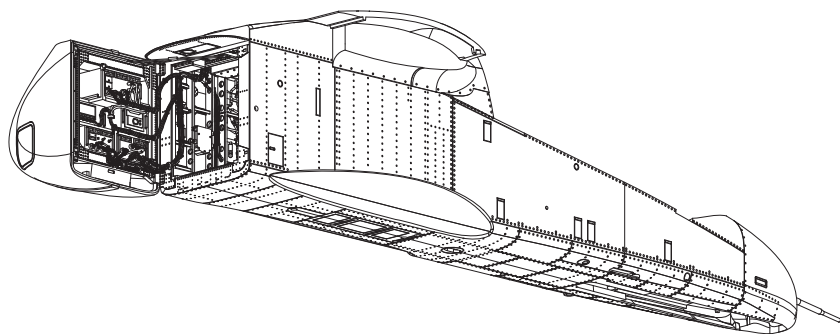
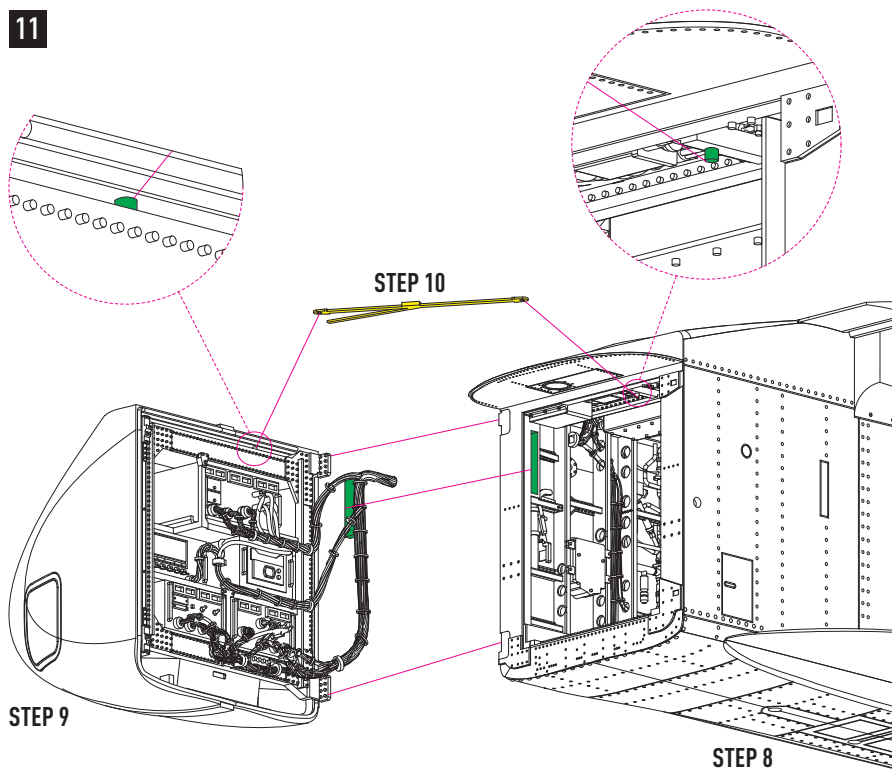


R3

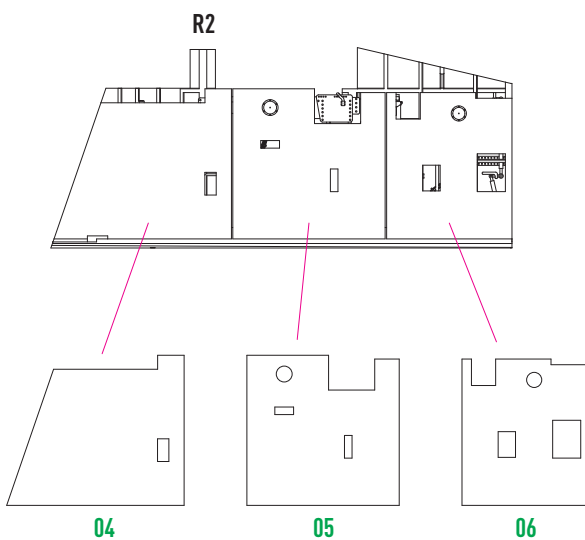
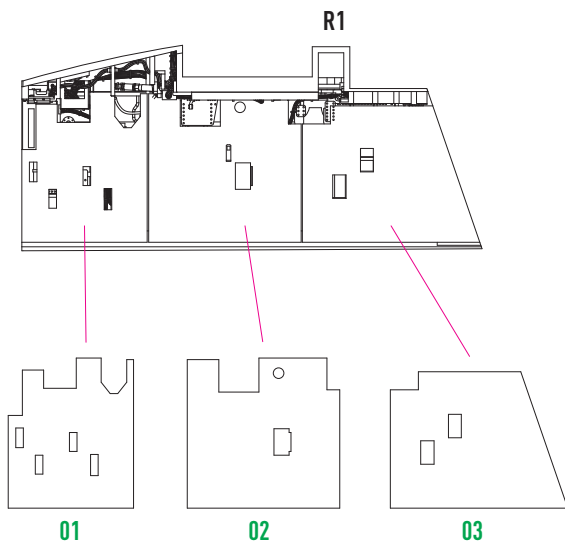
USE WIRE D = 0.5 MM, L = 2 MM

10





# TEMPLATE FOR LINING MASKS



YOU CAN FIND INSTRUCTIONS  
IN PDF FORMAT ON THE WEBSITE

**RESKIT-MODELS.COM**

General Issues: [info@reskit.com.ua](mailto:info@reskit.com.ua)

Wholesales: [sales@reskit.com.ua](mailto:sales@reskit.com.ua)

Claim Resolution: [claims@reskit.com.ua](mailto:claims@reskit.com.ua)