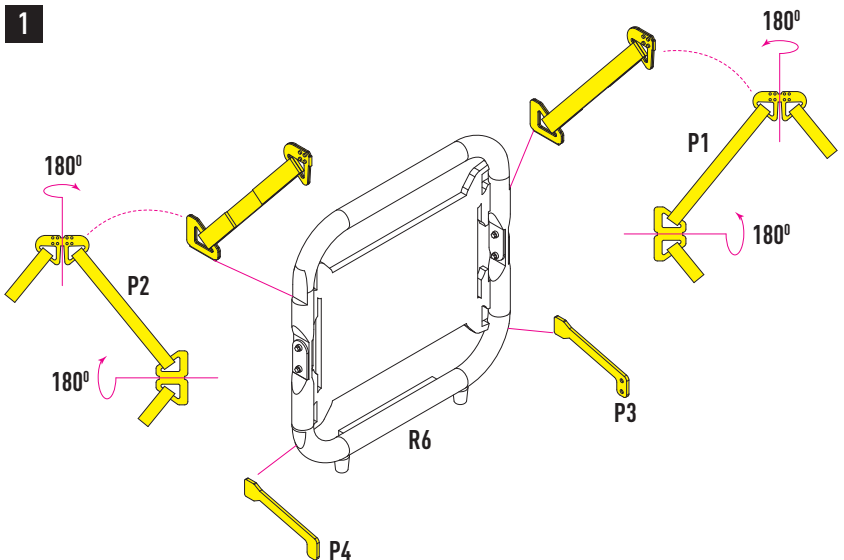
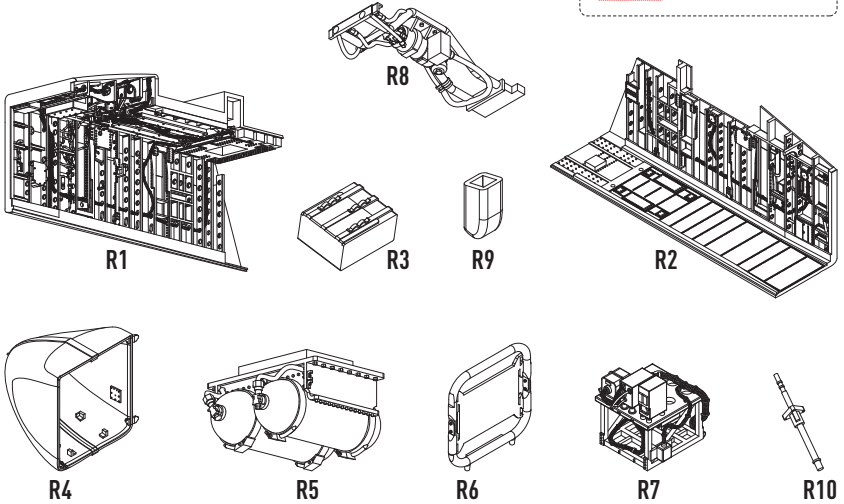
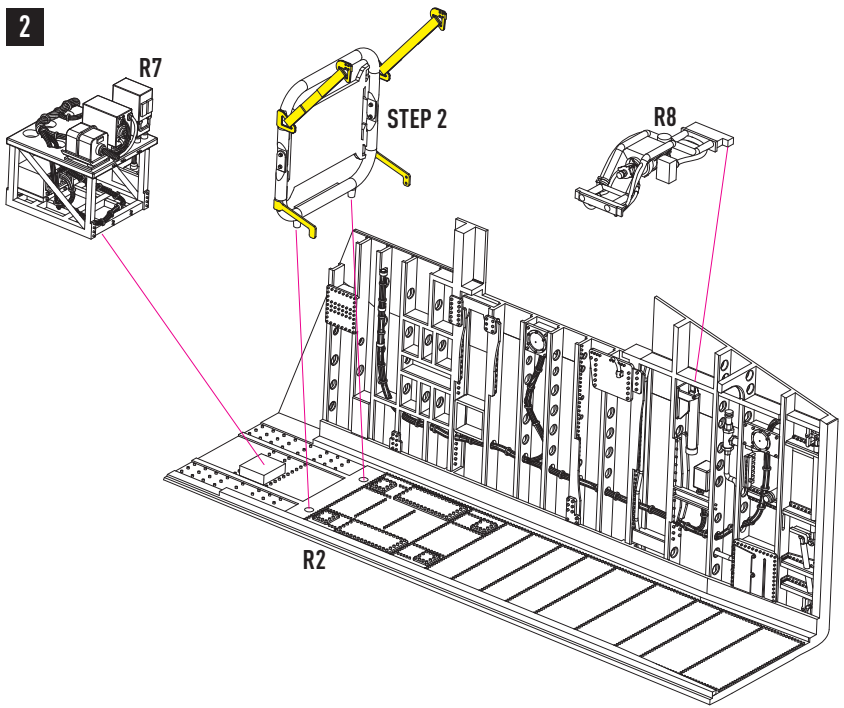


### DETAILS AFTER REMOVAL FROM SUPPORTS

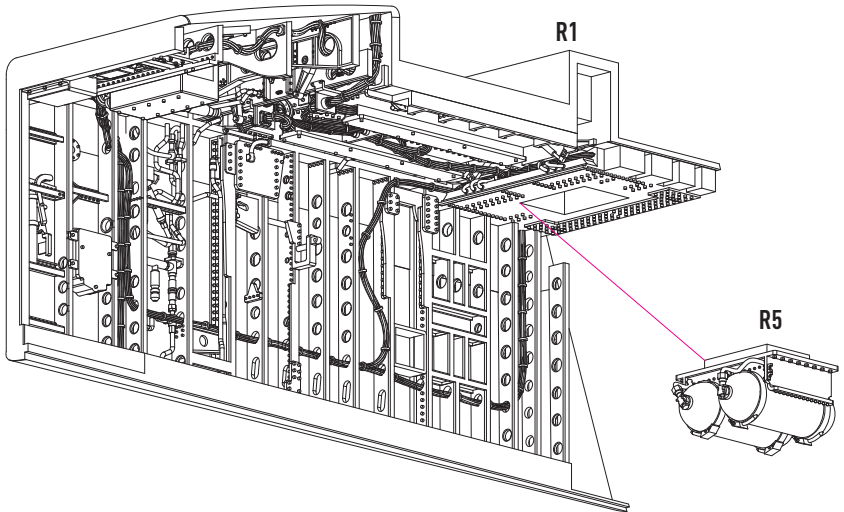
USE A SAW TO REMOVE SUPPORTS  
FROM 3D PRINTED PARTS



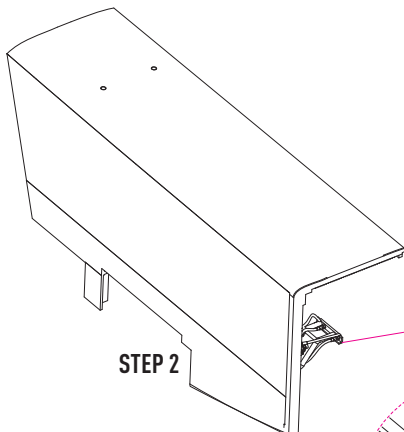
2



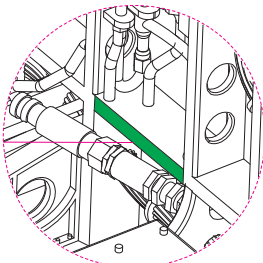
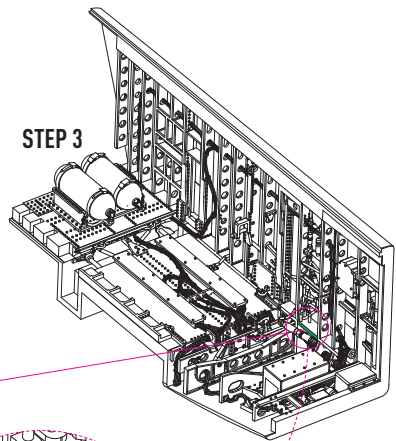
3



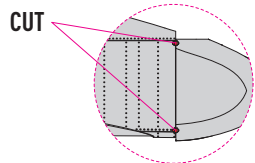
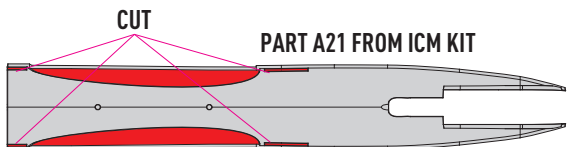
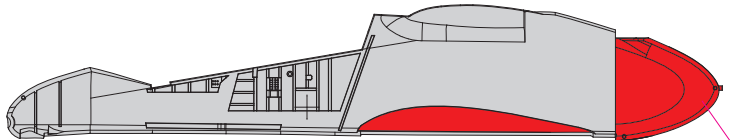
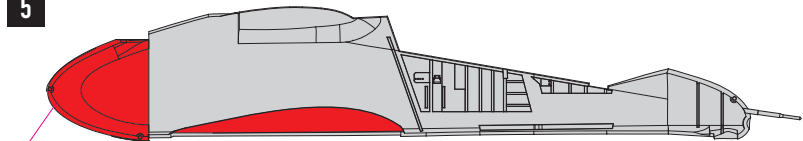
4



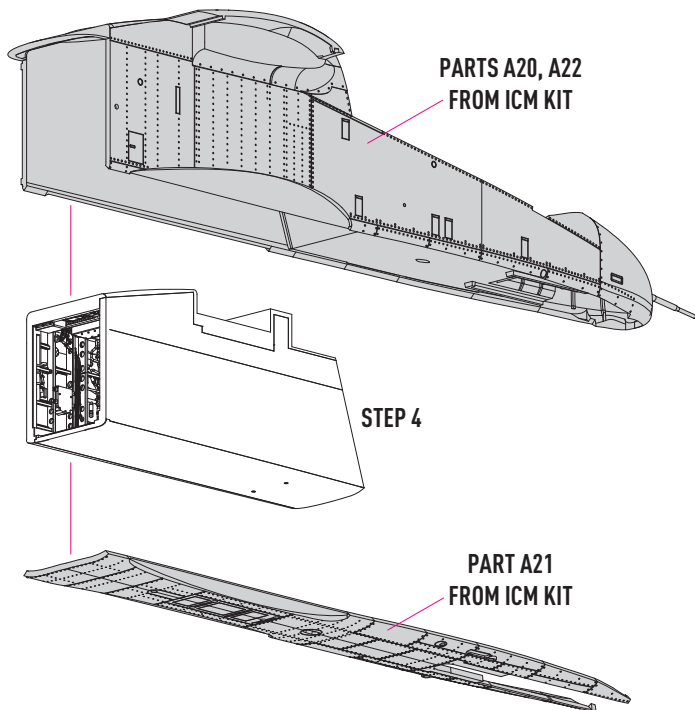
STEP 3



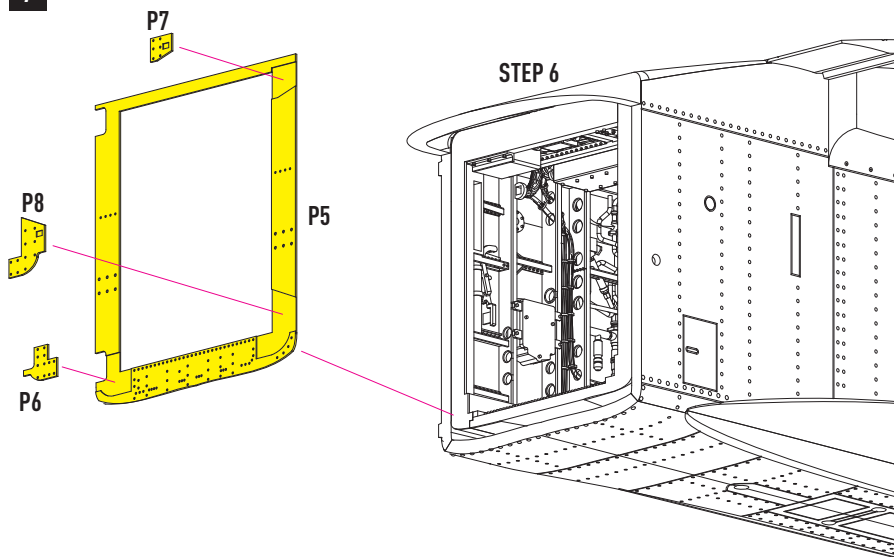
5



6

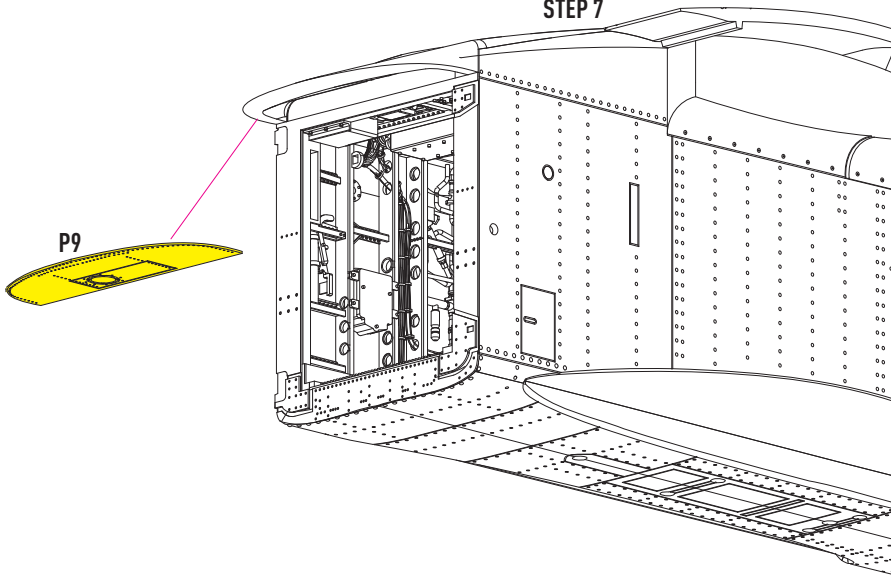


7

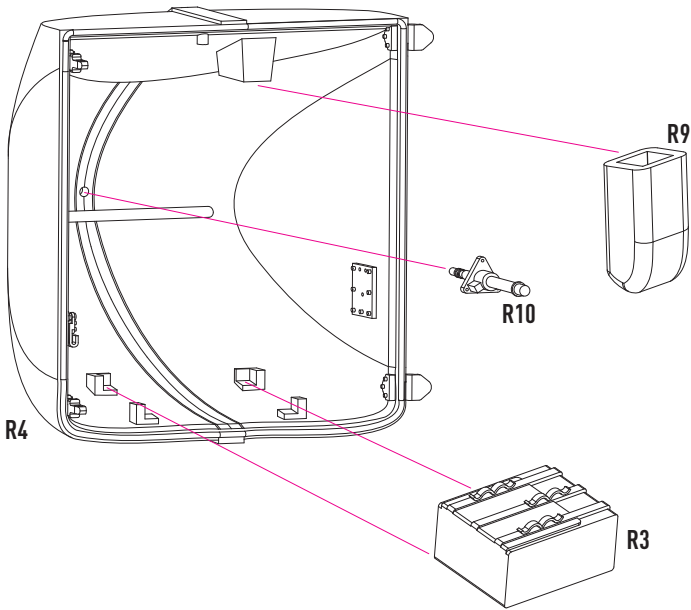


8

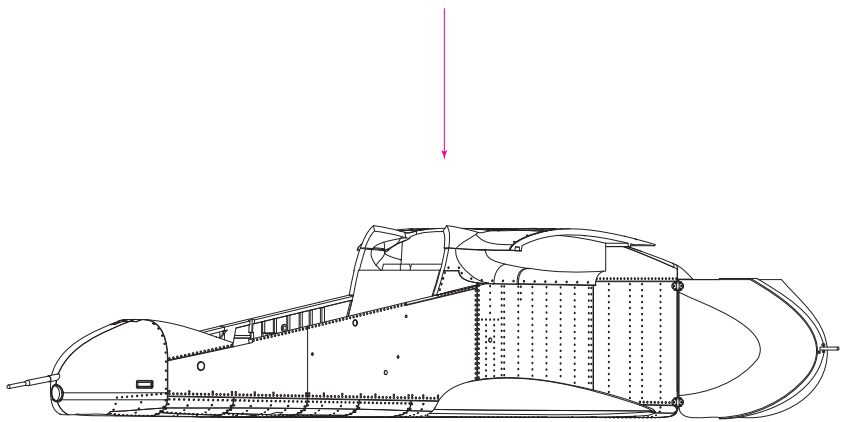
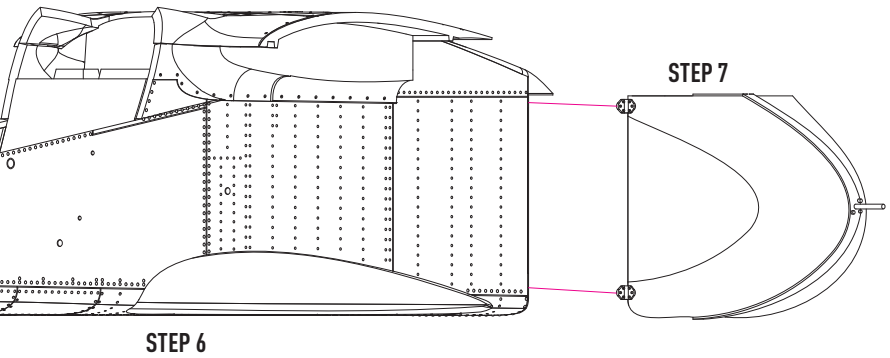
STEP 7



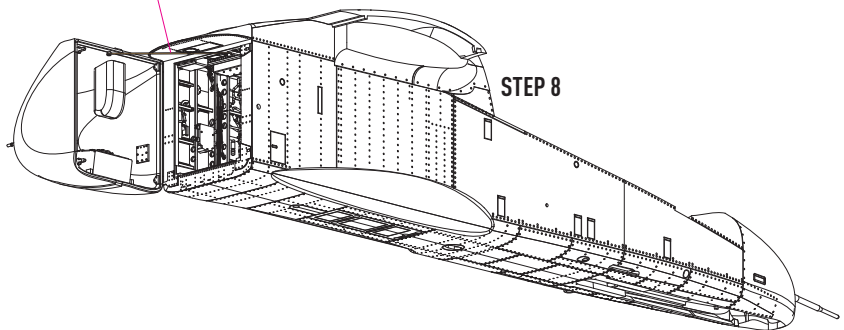
9



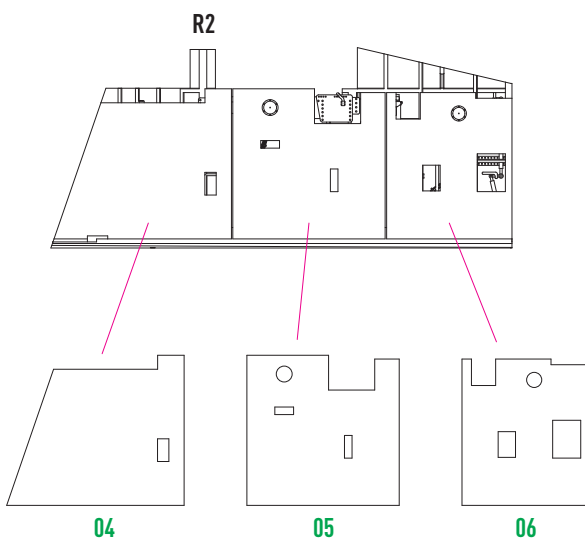
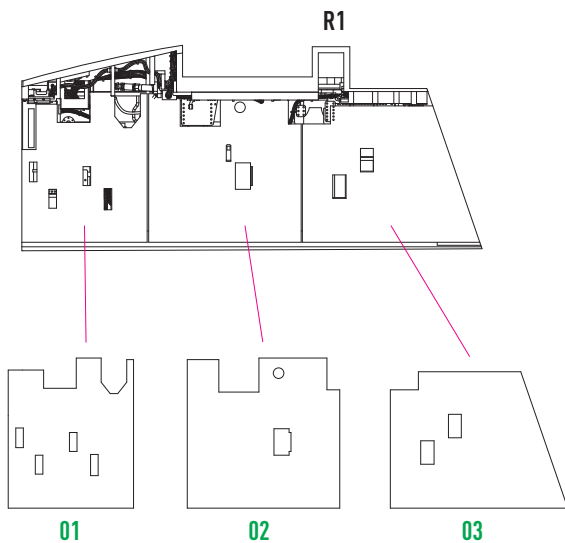
10



11 USE WIRE D = 0.2 MM



# TEMPLATE FOR LINING MASKS



YOU CAN FIND INSTRUCTIONS  
IN PDF FORMAT ON THE WEBSITE

**RESKIT-MODELS.COM**

General Issues: [info@reskit.com.ua](mailto:info@reskit.com.ua)

Wholesales: [sales@reskit.com.ua](mailto:sales@reskit.com.ua)

Claim Resolution: [claims@reskit.com.ua](mailto:claims@reskit.com.ua)