

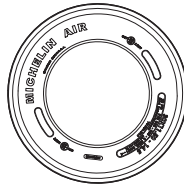
### DETAILS AFTER REMOVAL FROM SUPPORTS



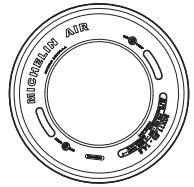
R11



R12



R14



R15



R9 x2



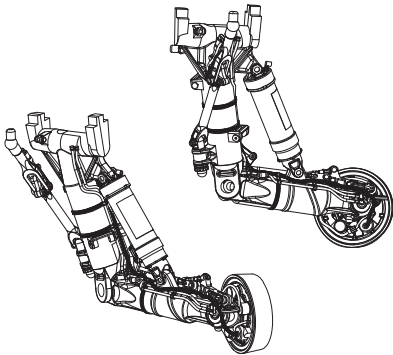
R10 x2



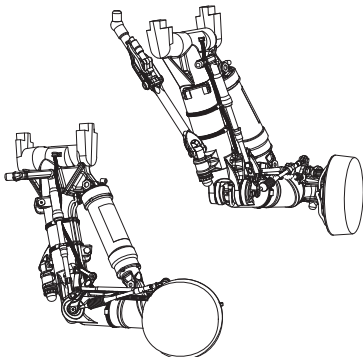
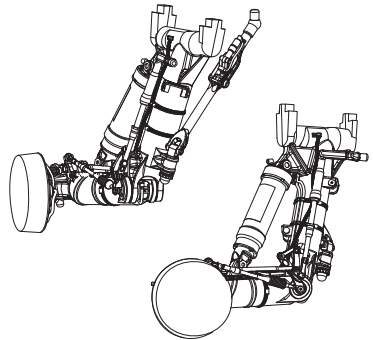
R13 x2



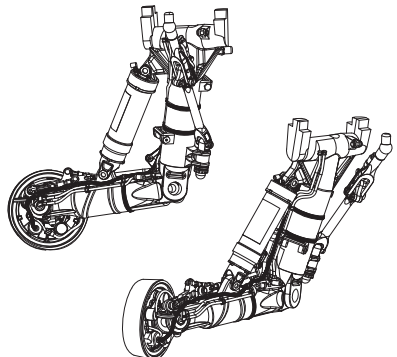
R19 x4



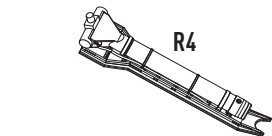
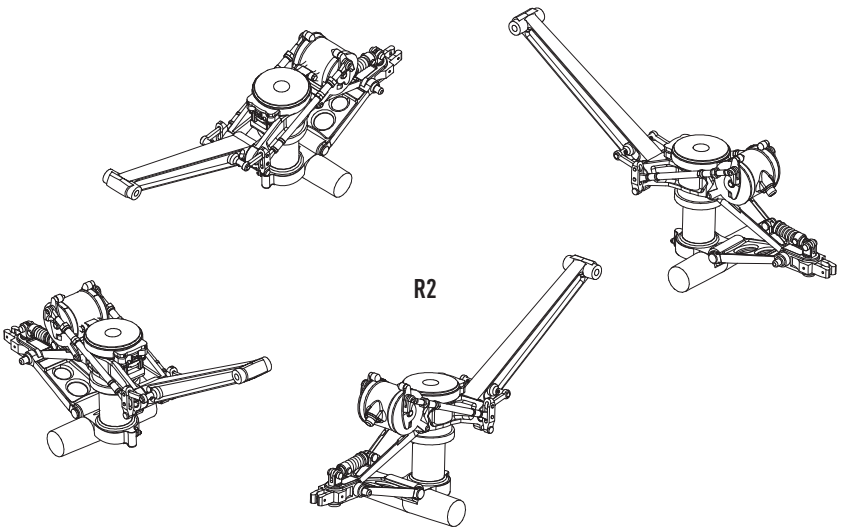
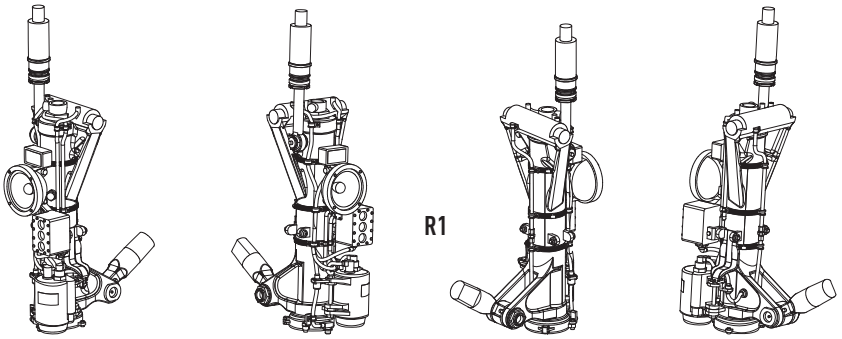
R7



R8



# DETAILS AFTER REMOVAL FROM SUPPORTS



 T1 L=27 MM, D=1 MM

 T2 X2 L=18 MM, D=1 MM

 T3 X2 L=17 MM, D=1 MM



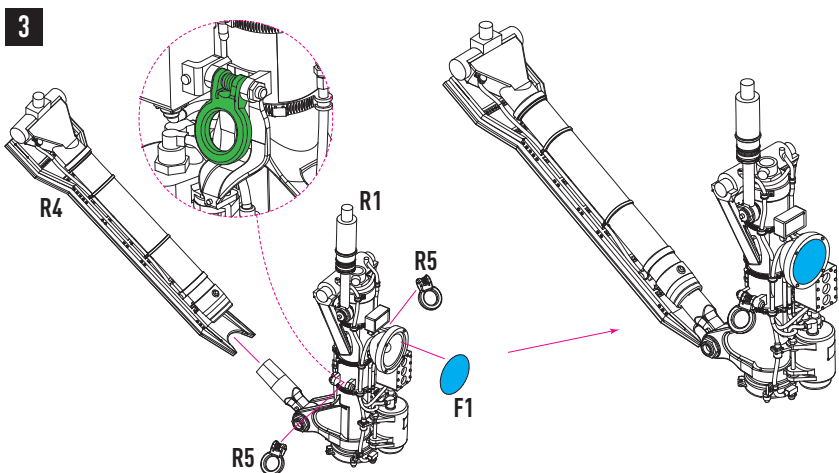
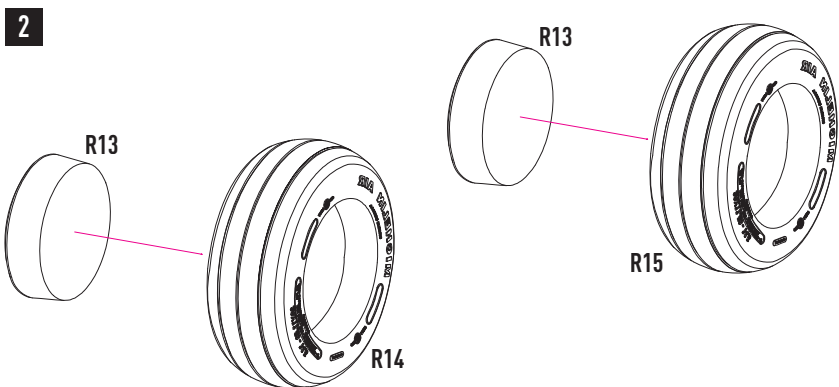
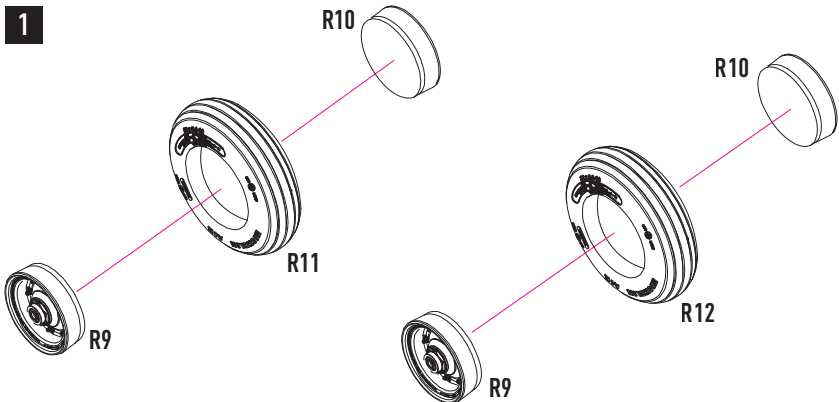
R5 X4



R6 X4

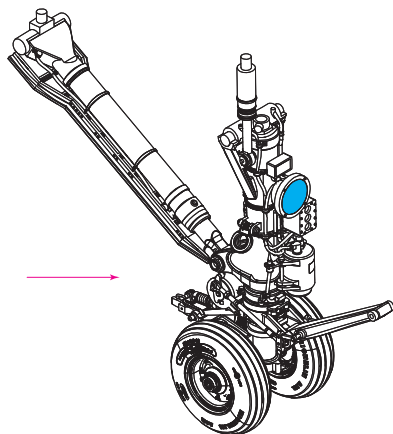


F1 X2



# 4 FRONT RACK

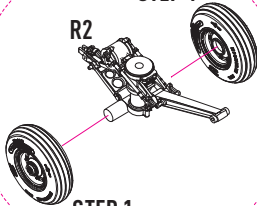
STEP 3



T1

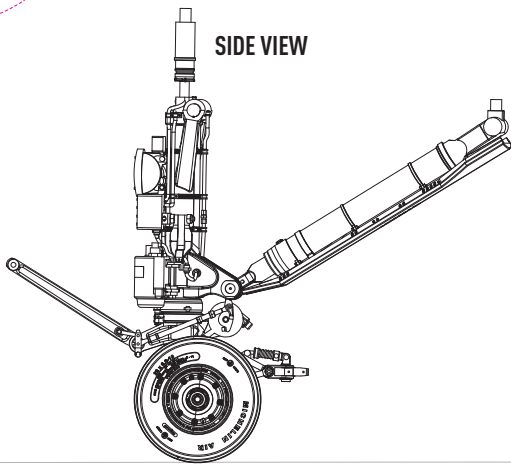
STEP 1

R2

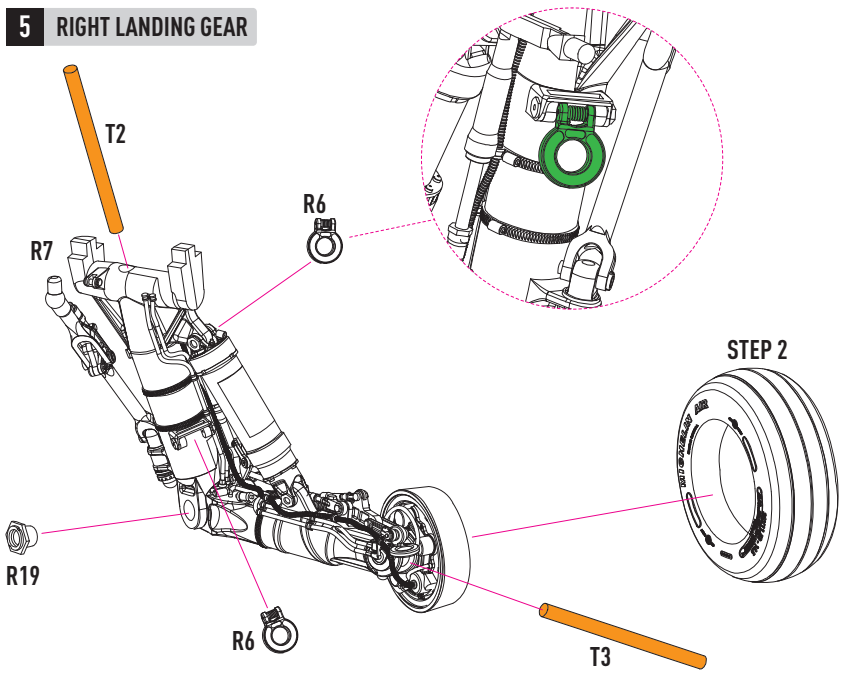


STEP 1

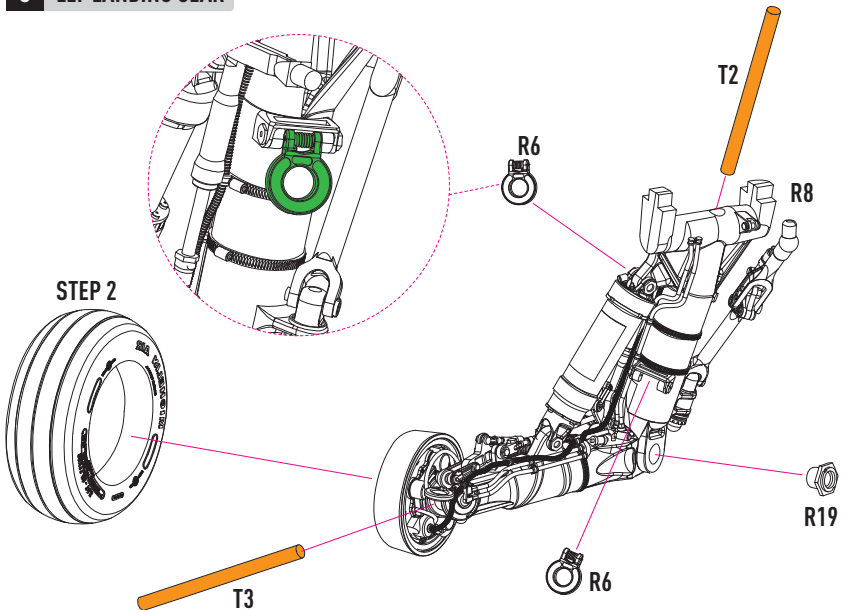
SIDE VIEW



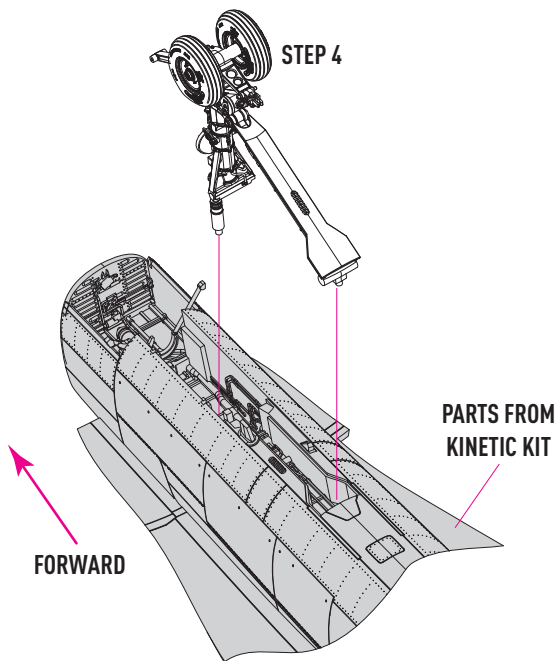
## 5 RIGHT LANDING GEAR



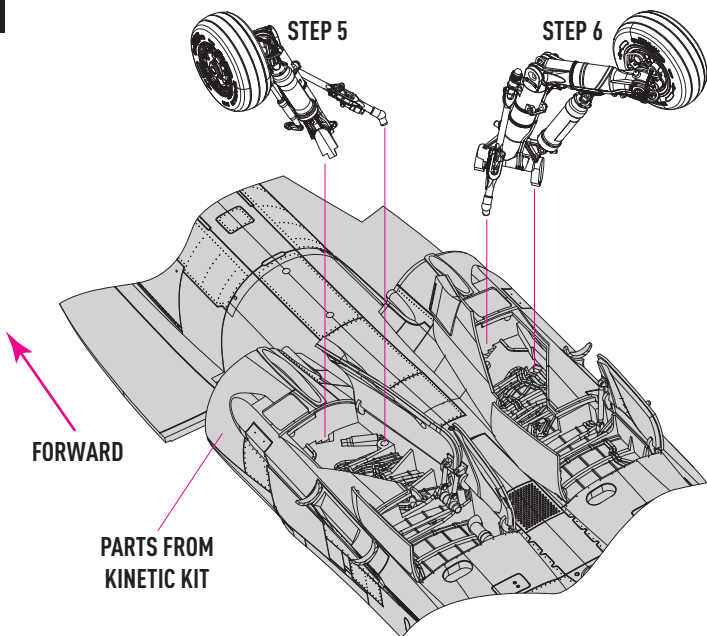
## 6 LEF LANDING GEAR



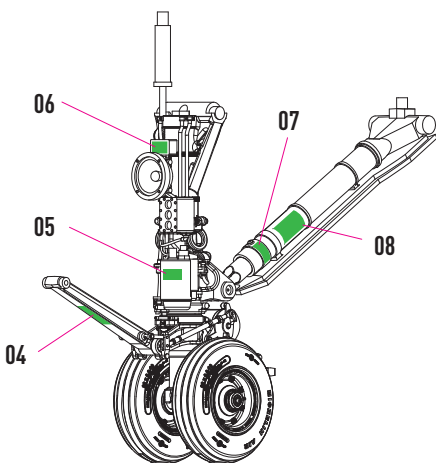
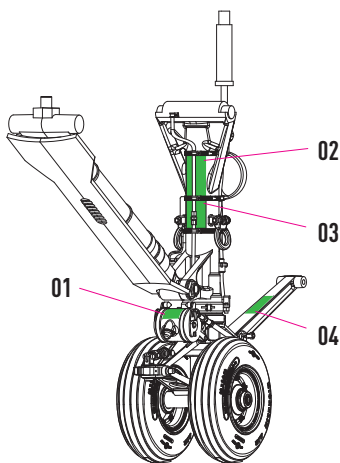
7



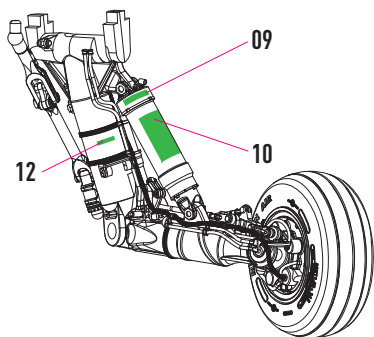
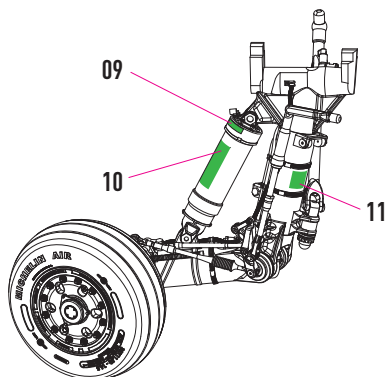
8



### FRONT CHASSIS



### MAIN CHASSIS



YOU CAN FIND INSTRUCTIONS  
IN PDF FORMAT ON THE WEBSITE

**RESKIT-MODELS.COM**

General Issues: [info@reskit.com.ua](mailto:info@reskit.com.ua)

Wholesales: [sales@reskit.com.ua](mailto:sales@reskit.com.ua)

Claim Resolution: [claims@reskit.com.ua](mailto:claims@reskit.com.ua)