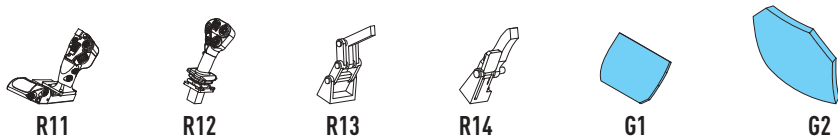
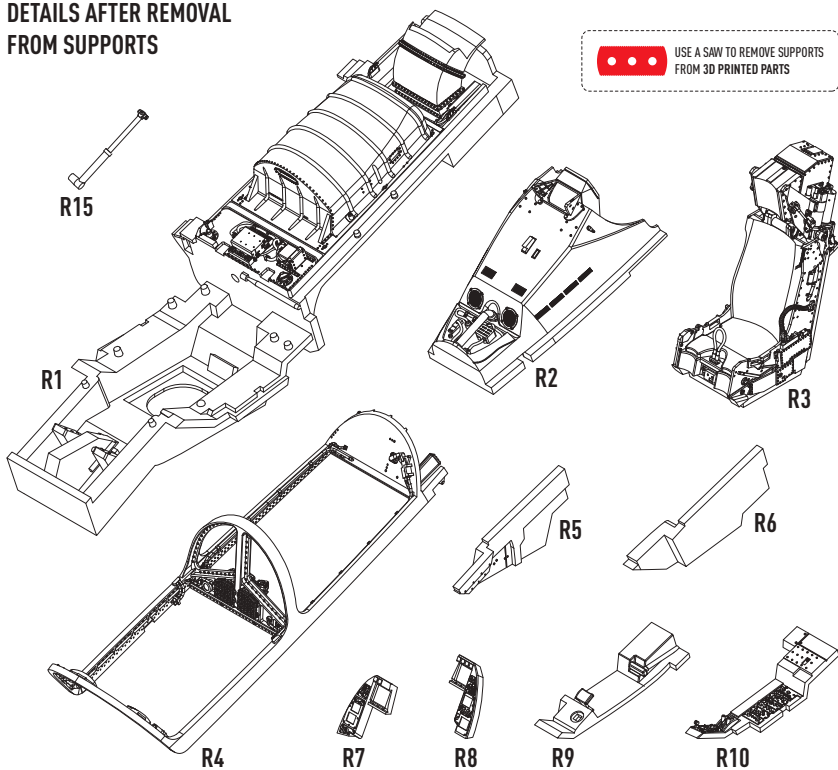


DETAILS AFTER REMOVAL FROM SUPPORTS

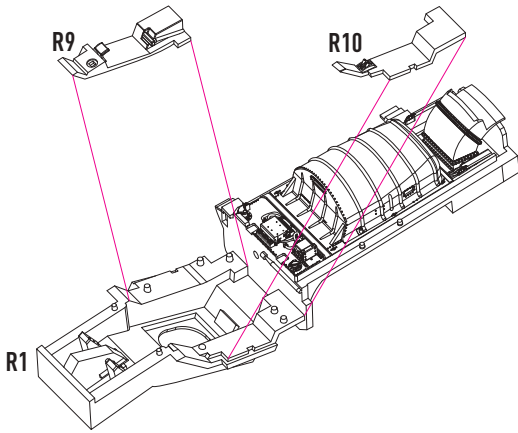
USE A SAW TO REMOVE SUPPORTS
FROM 3D PRINTED PARTS



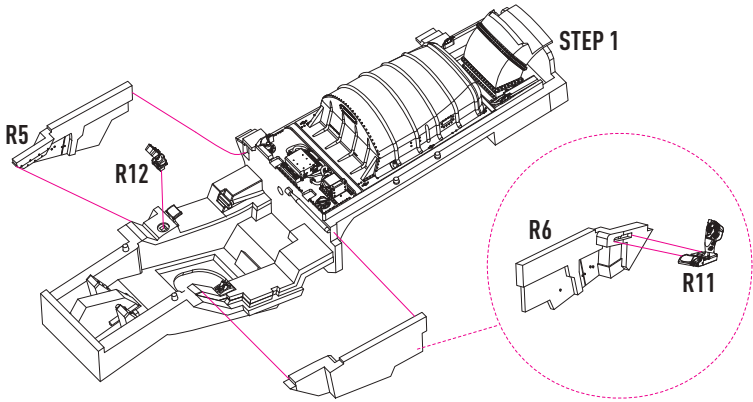
PARTS G1 AND G2 SHOULD BE COATED WITH GLOSSY VARNISH BEFORE USE



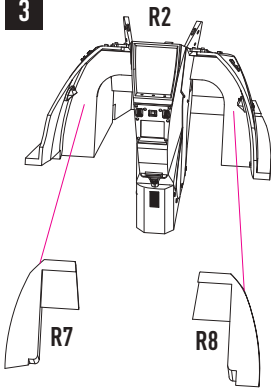
1



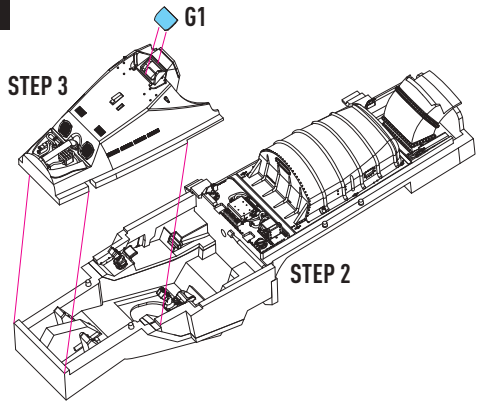
2



3

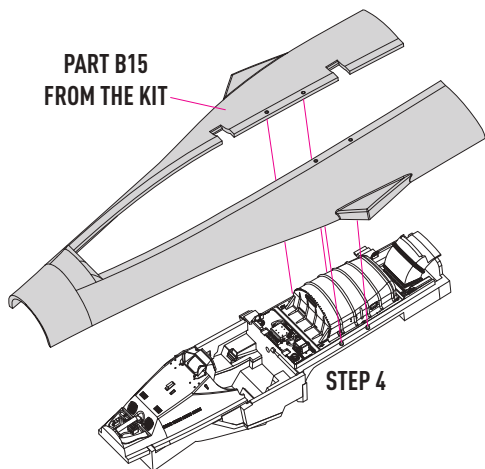


4



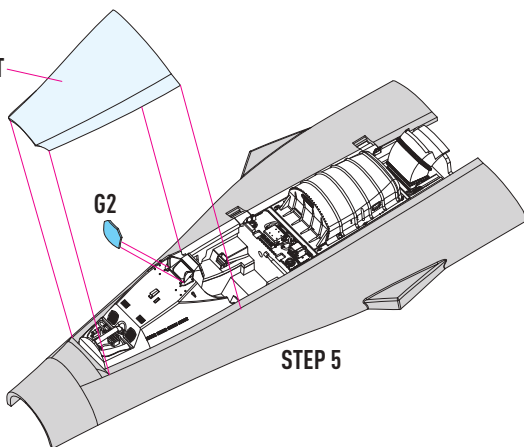
5

PART B15
FROM THE KIT



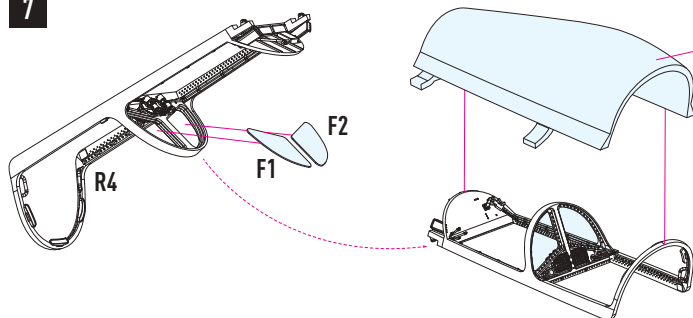
6

PART E74
FROM THE KIT

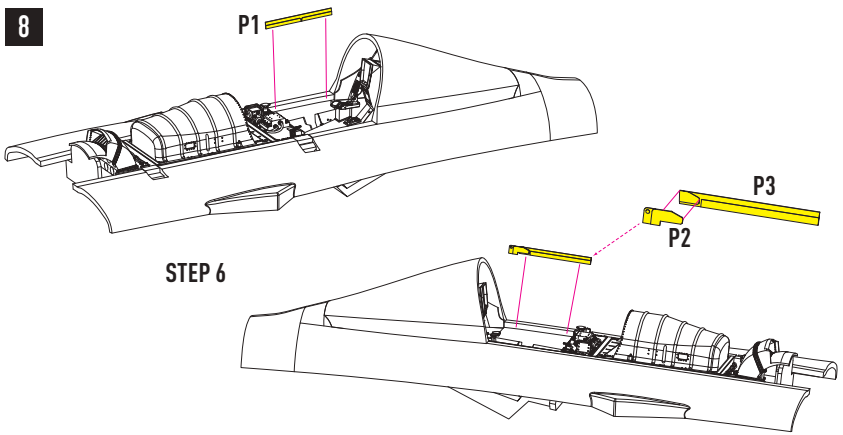


7

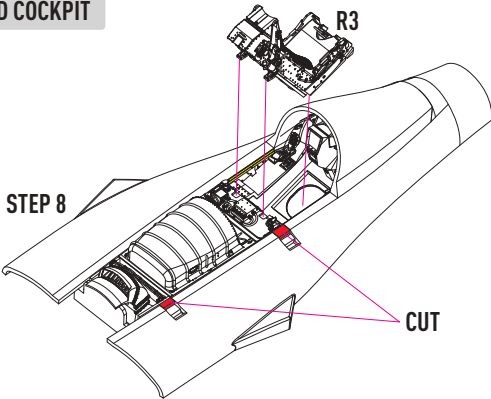
PART E70
FROM THE KIT



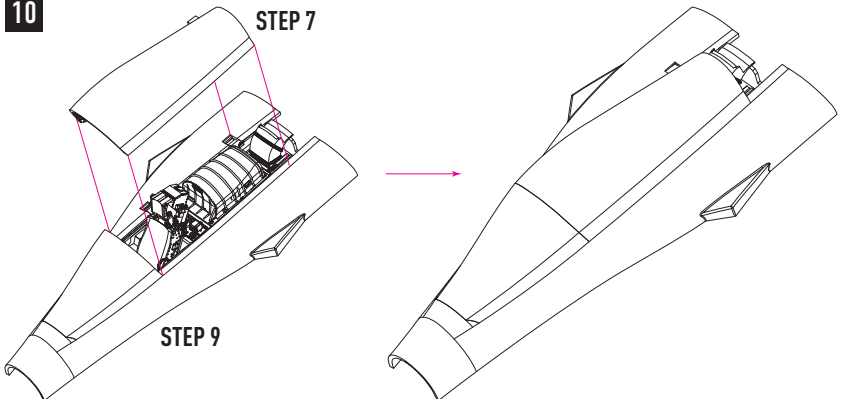
8



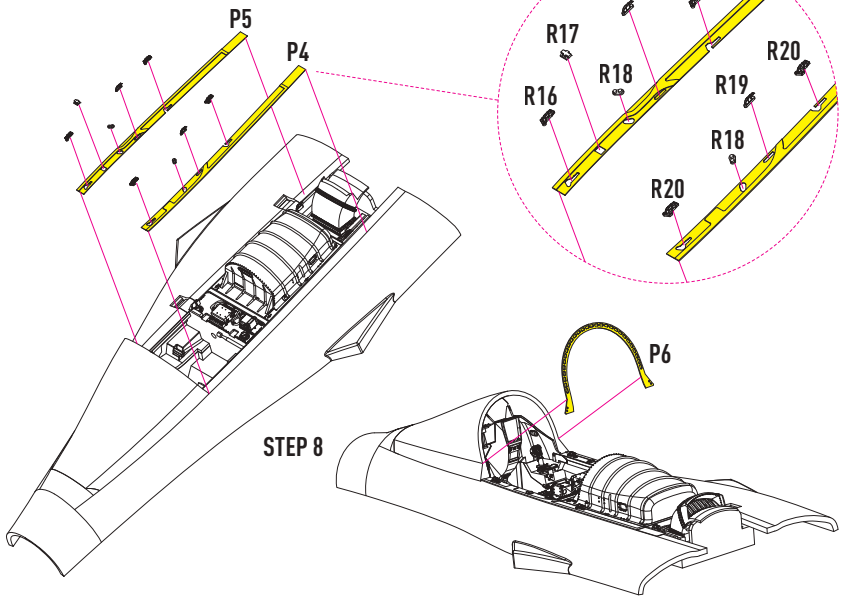
9 FOR A CLOSED COCKPIT



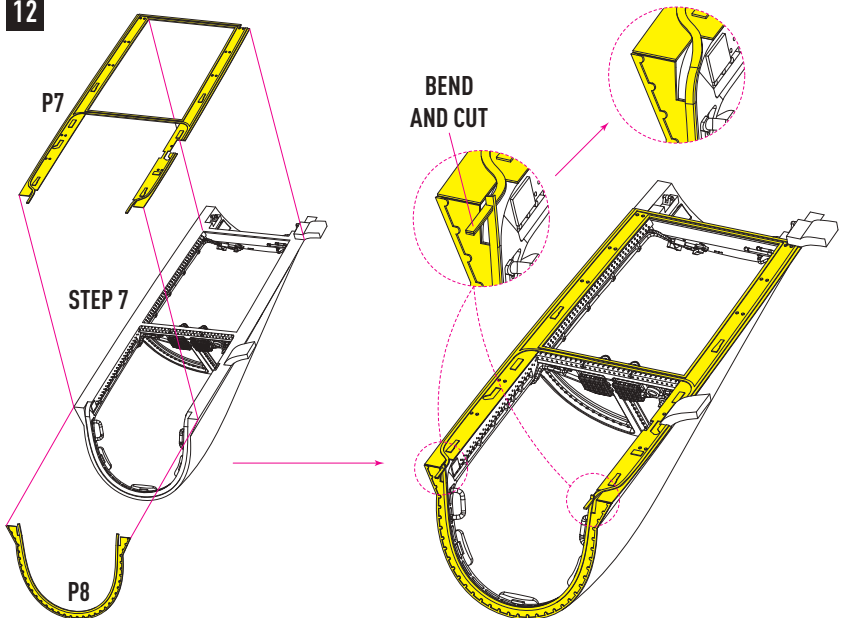
10

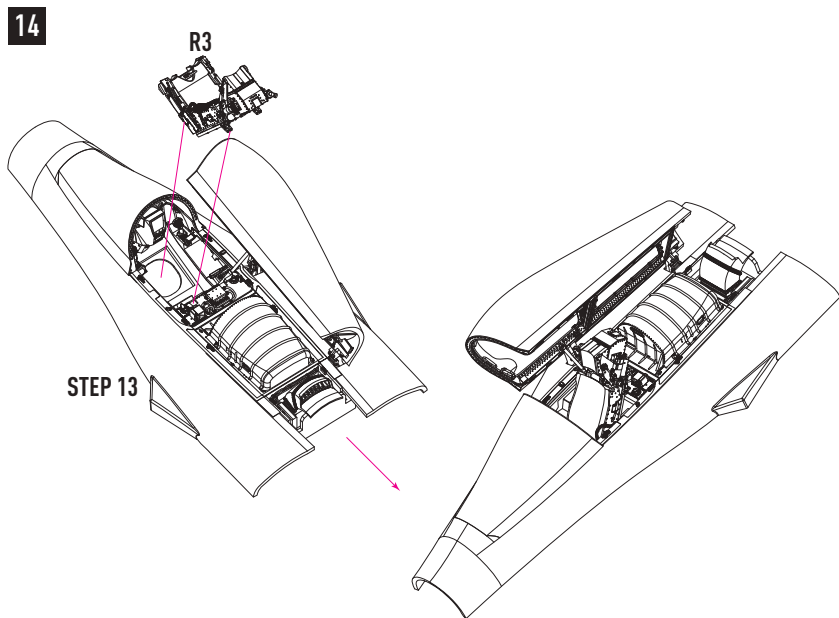
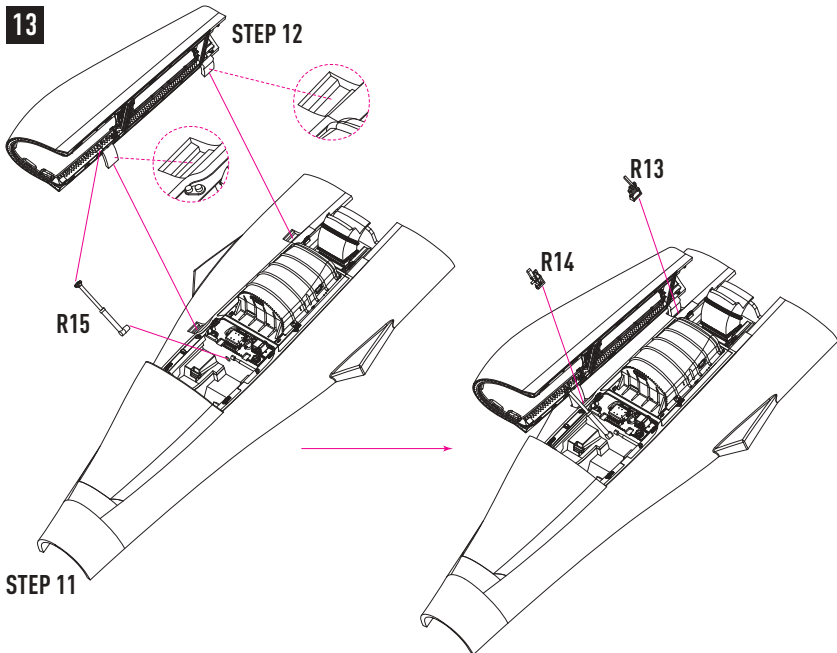


11 FOR AN OPEN COCKPIT

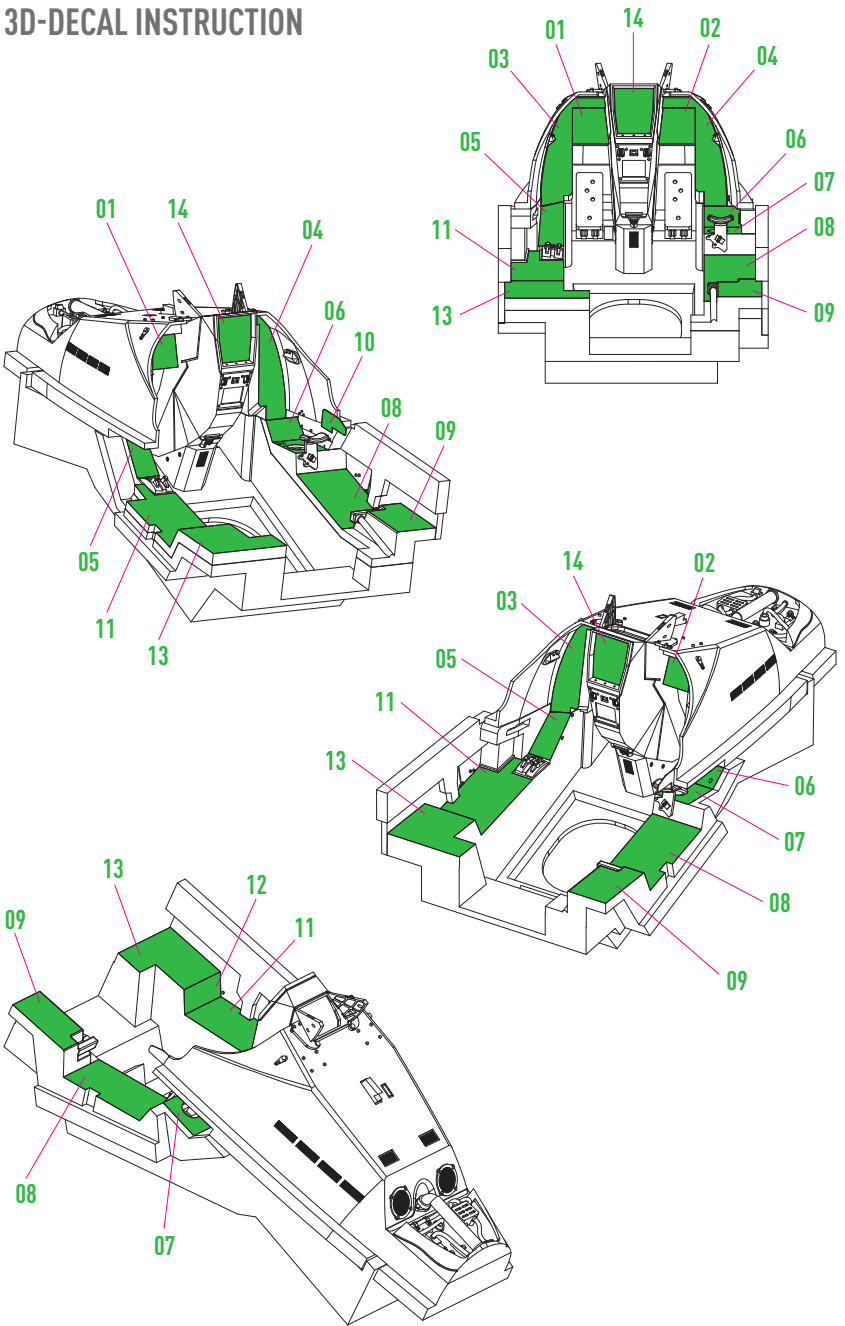


12





3D-DECAL INSTRUCTION



general Issues: info@reskit.com.ua / claim resolution: claims@reskit.com.ua

RESKIT-MODELS.COM

[fb.com/reskit.official](https://www.facebook.com/reskit.official)

[instagram.com/reskit_official](https://www.instagram.com/reskit_official)

[pinterest.com/reskit_official](https://www.pinterest.com/reskit_official)

DECAL INSTRUCTION

