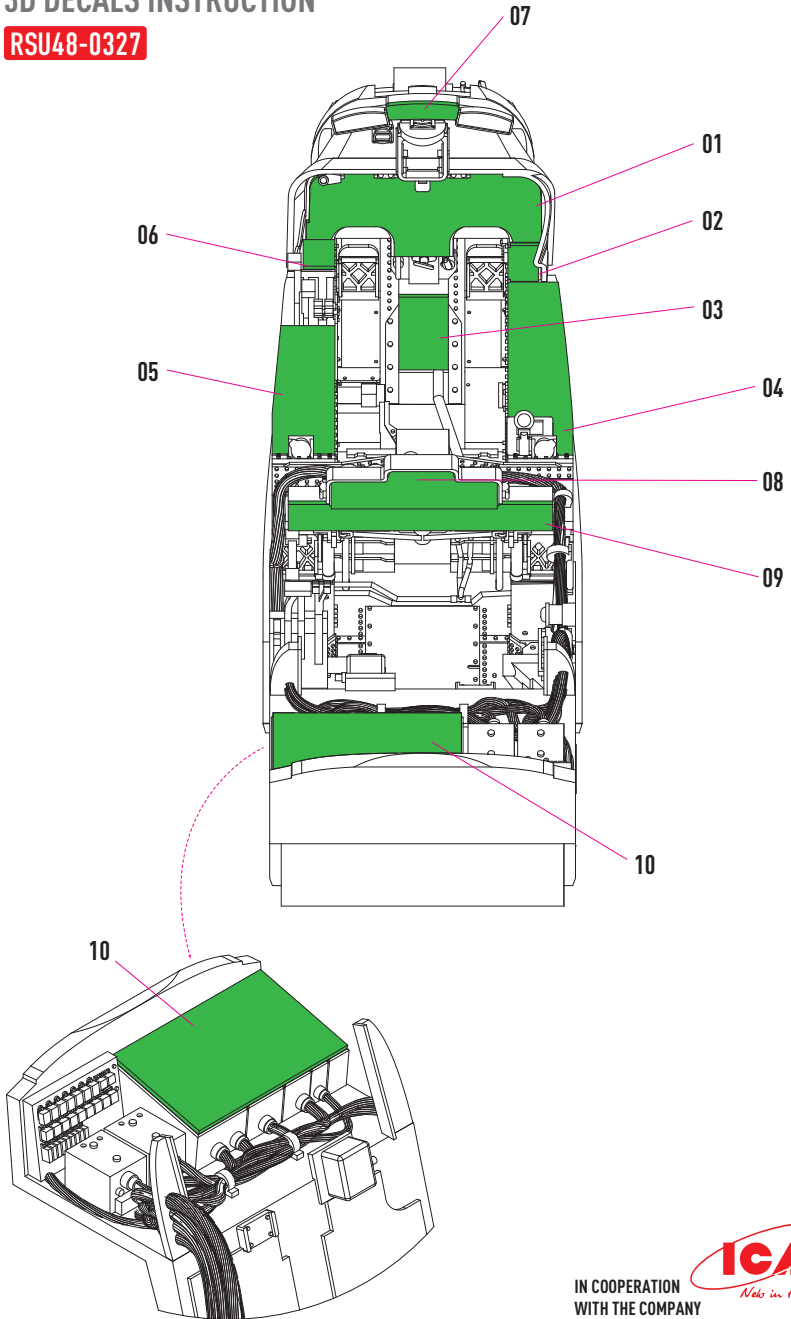


3D DECALS INSTRUCTION

RSU48-0327



ICM
Needs in the Seat
IN COOPERATION WITH THE COMPANY

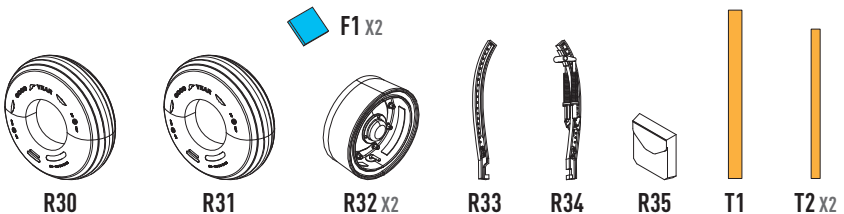
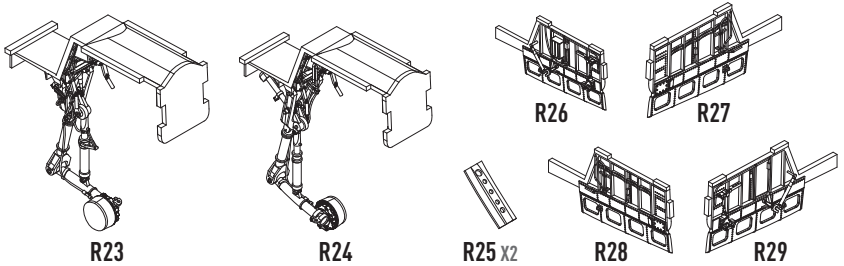
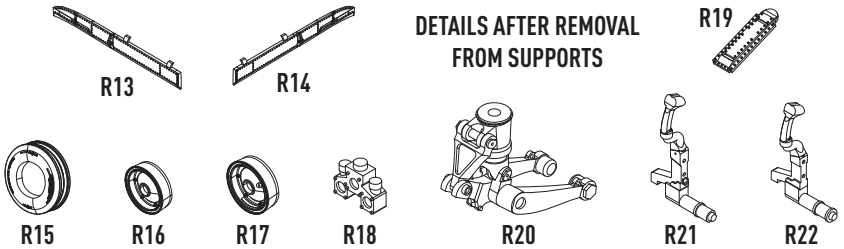
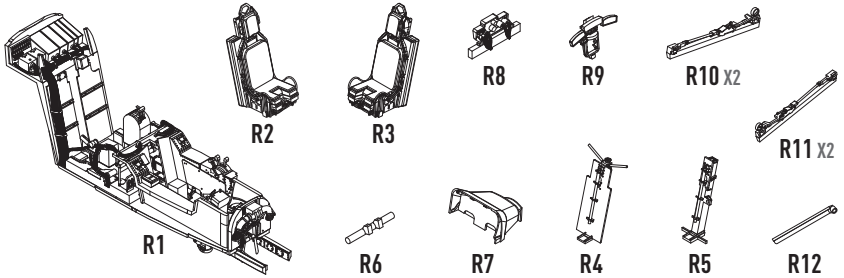
general issues: info@reskit.com.ua / claim resolution: claims@reskit.com.ua

RESKIT-MODELS.COM

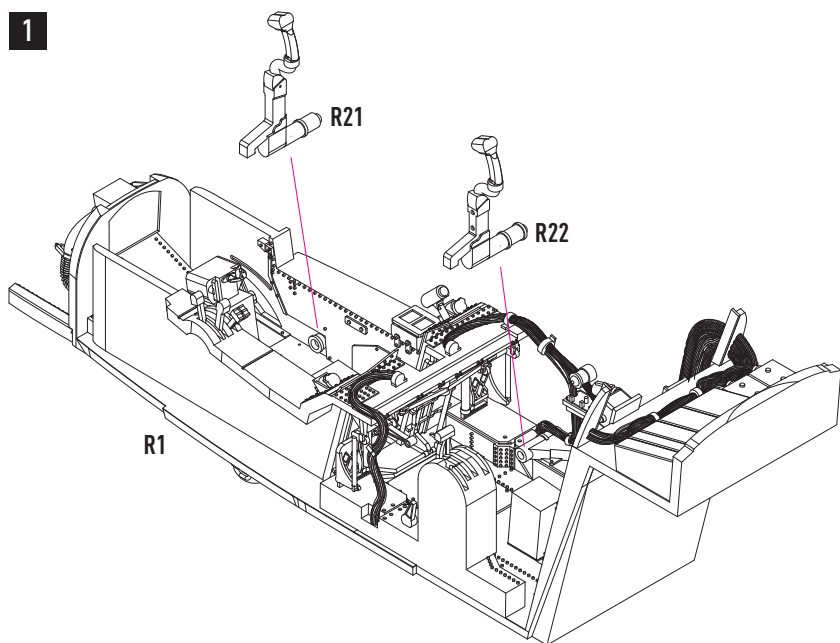
[fb.com/reskit.official](https://www.facebook.com/reskit.official)

[instagram.com/reskit_official](https://www.instagram.com/reskit_official)

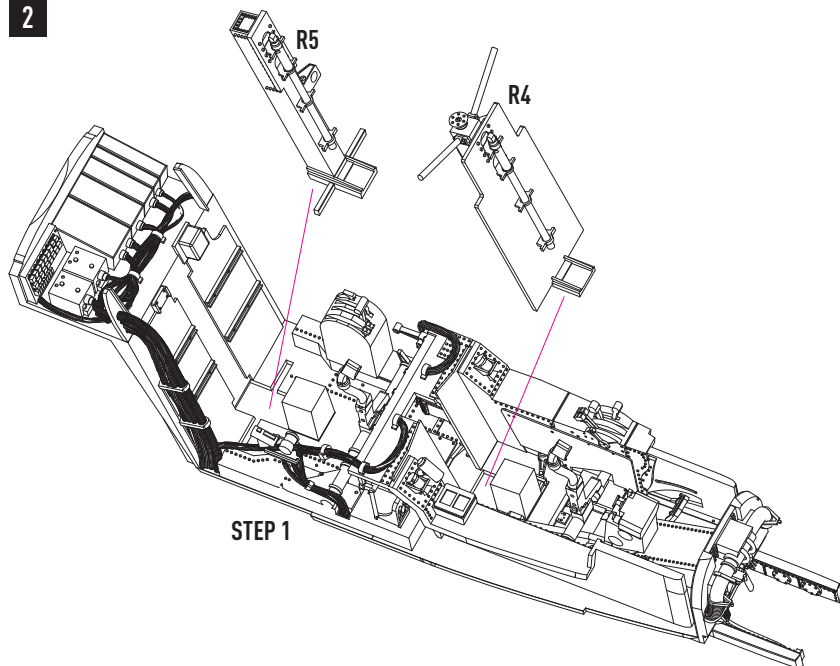
[pinterest.com/reskit_official](https://www.pinterest.com/reskit_official)



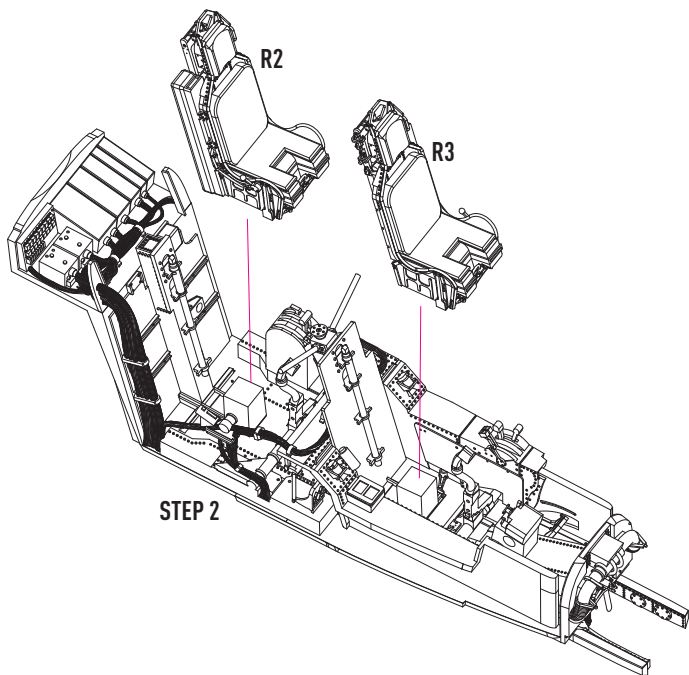
1



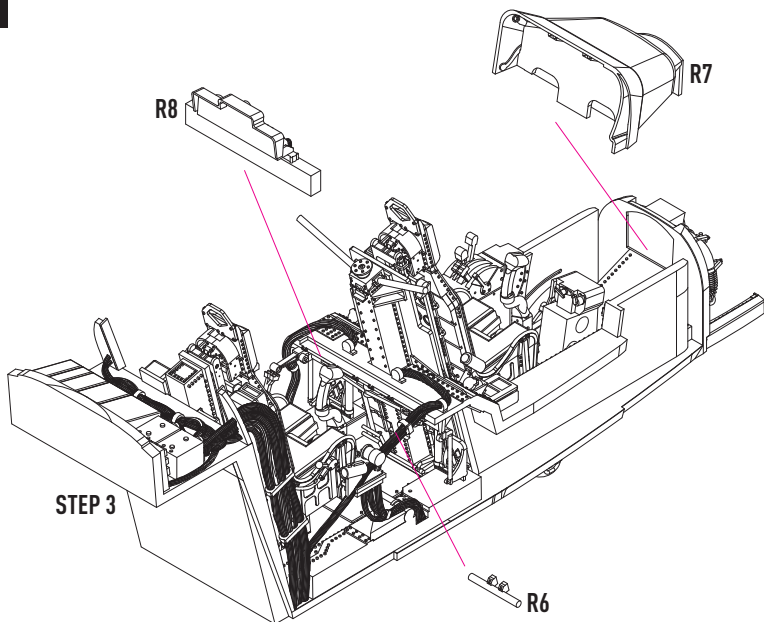
2



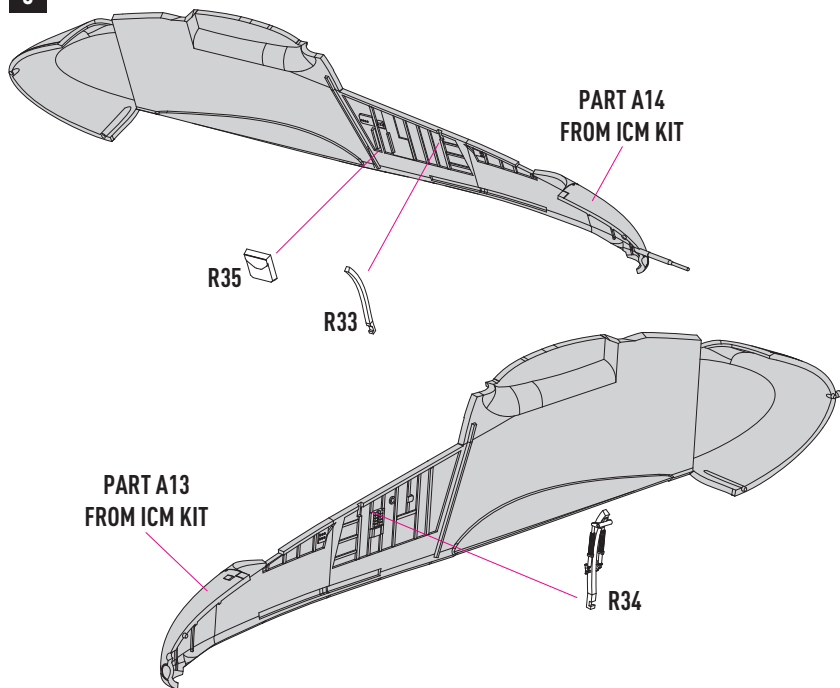
3



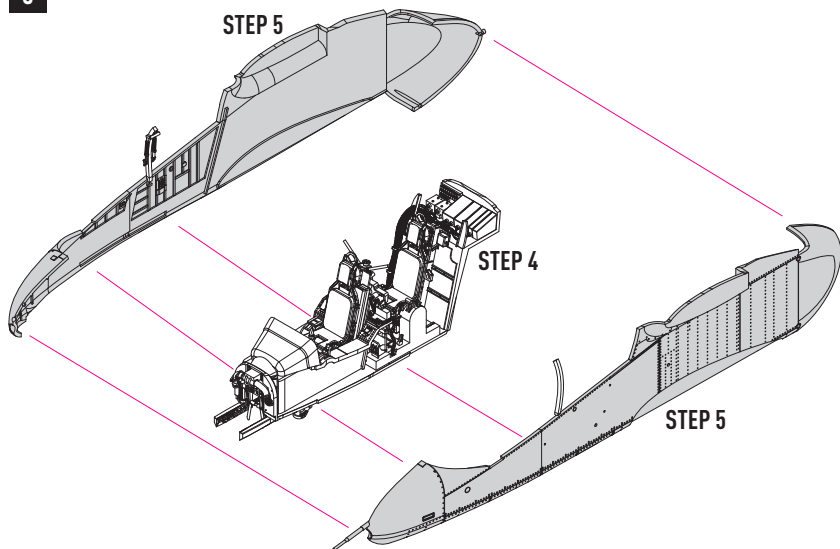
4



5

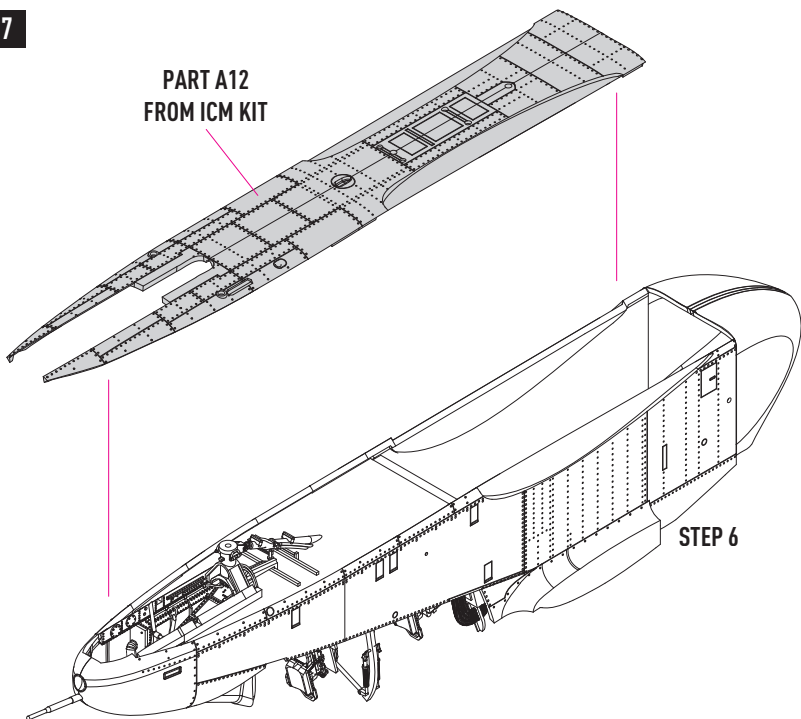


6

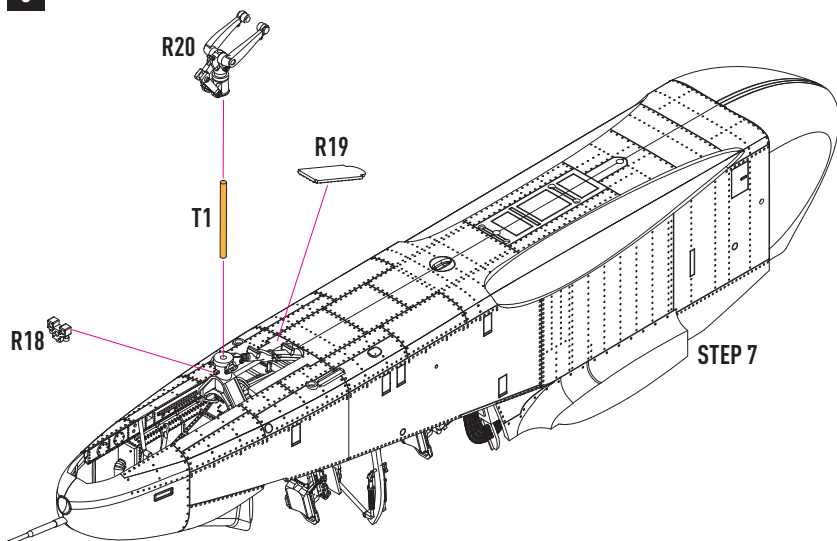


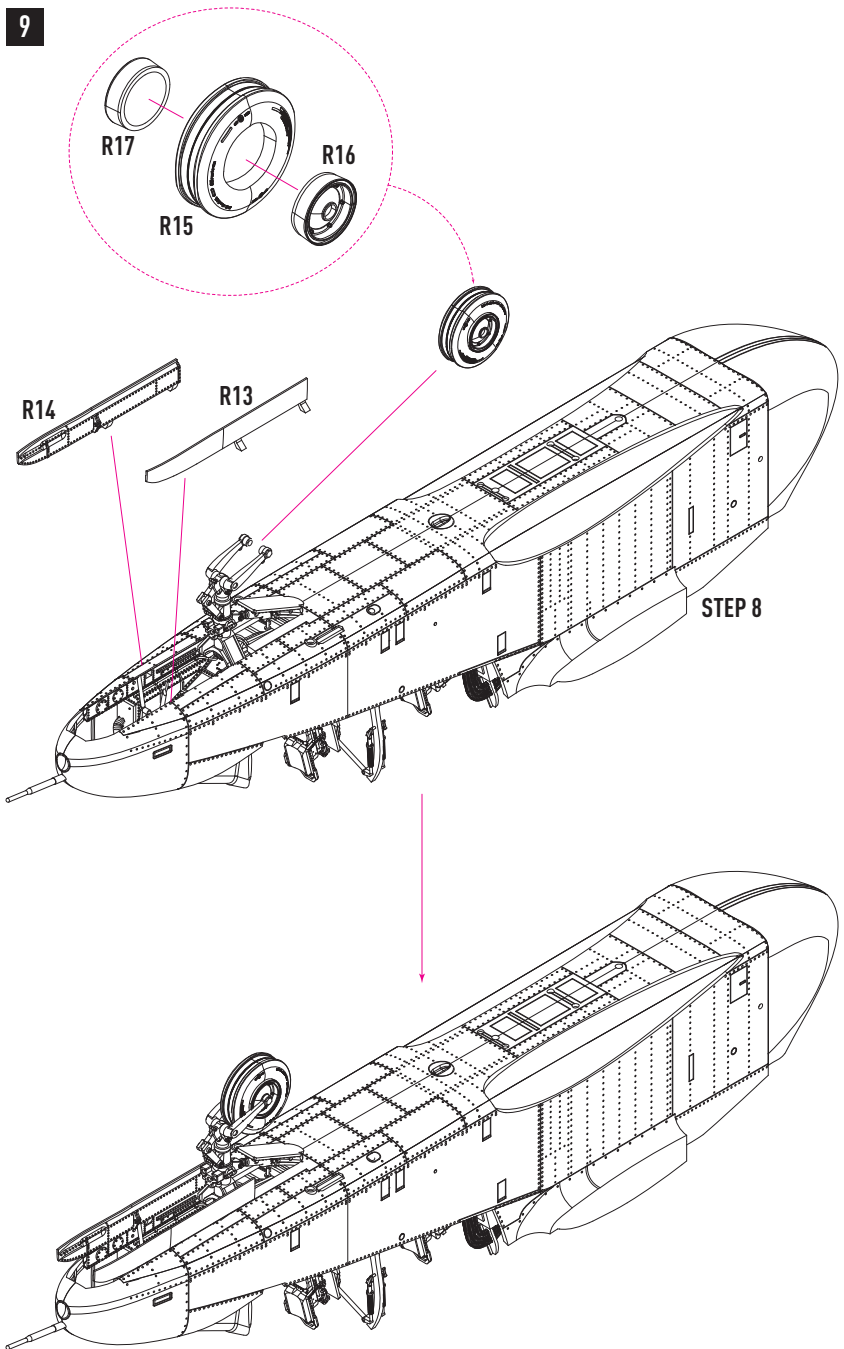
7

PART A12
FROM ICM KIT

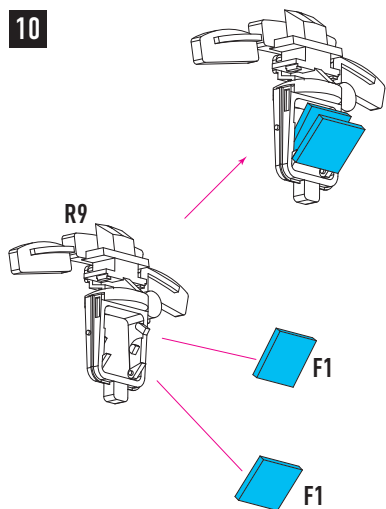


8

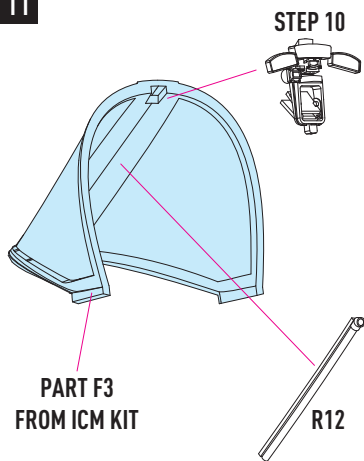




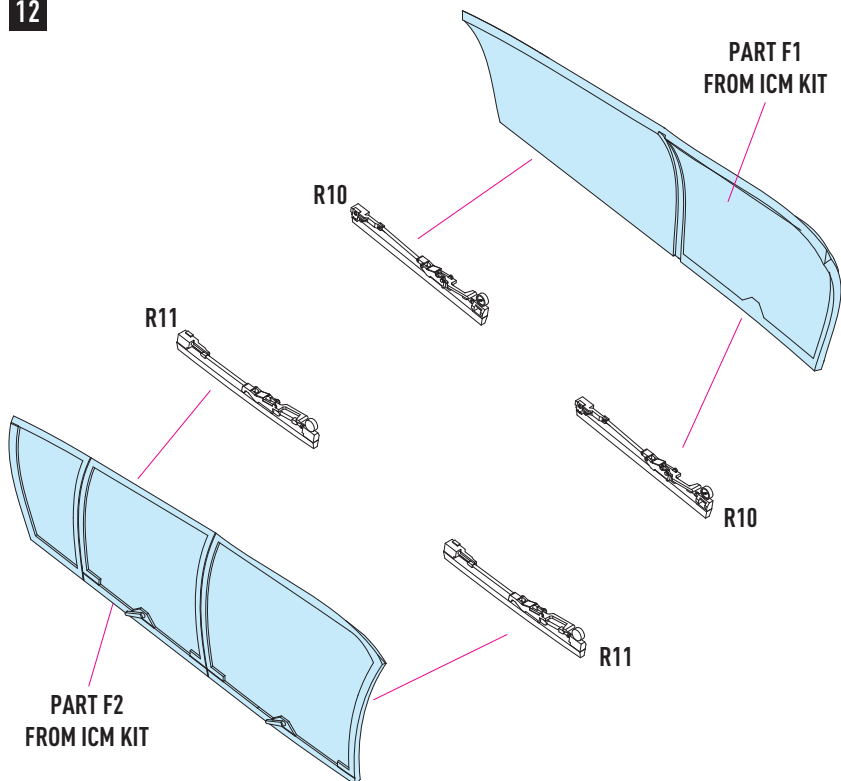
10



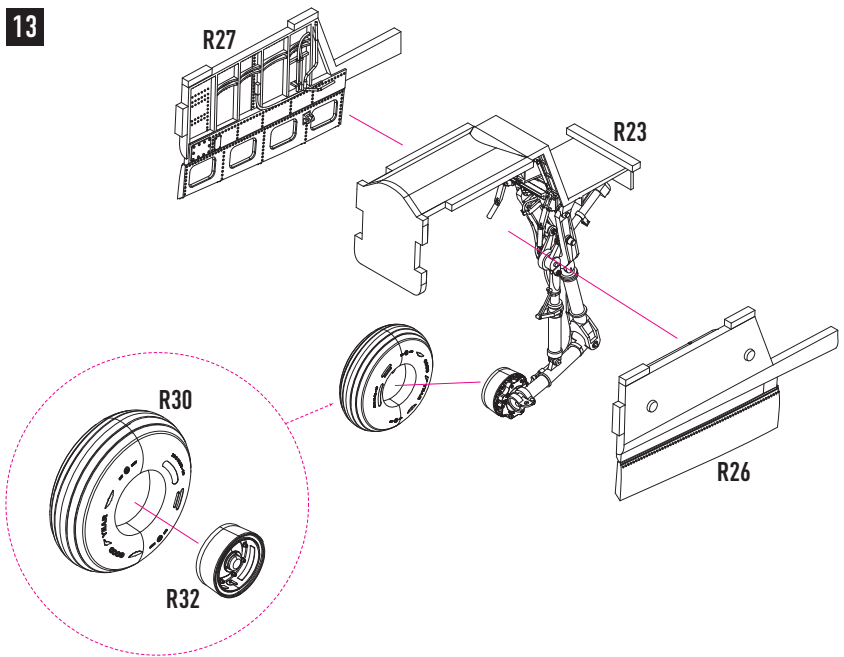
11



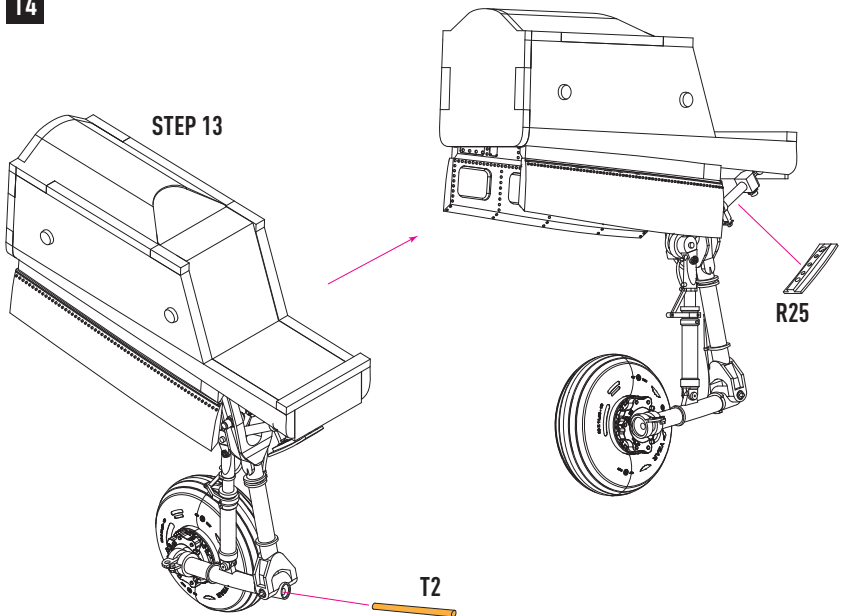
12



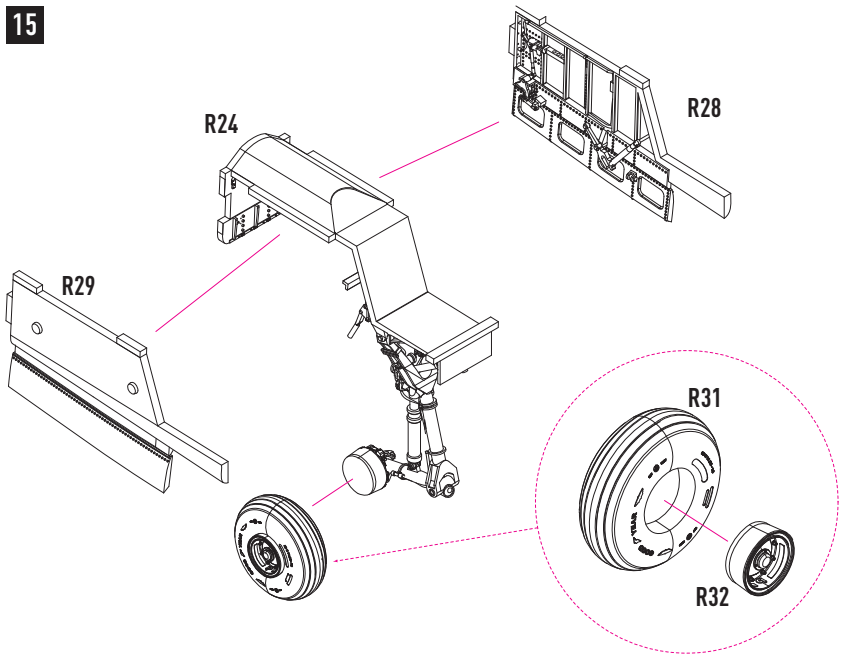
13



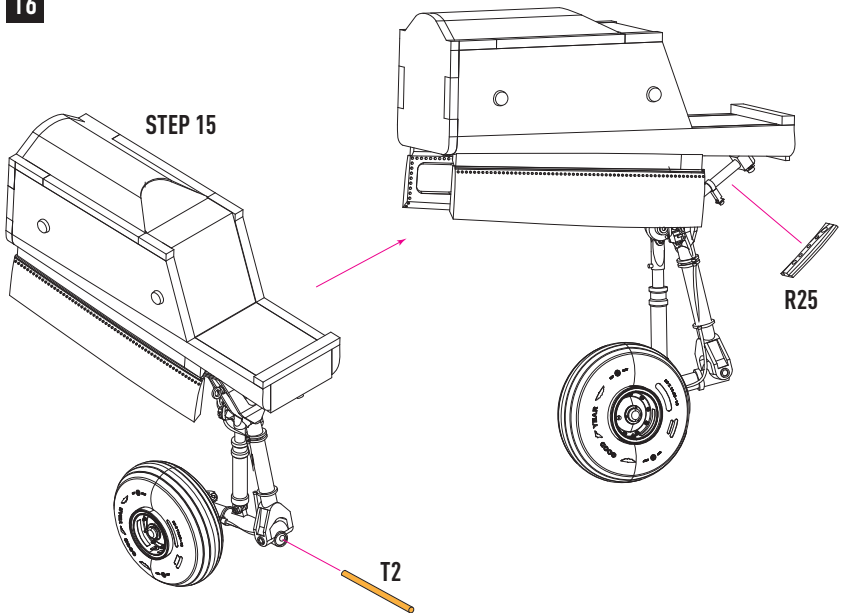
14



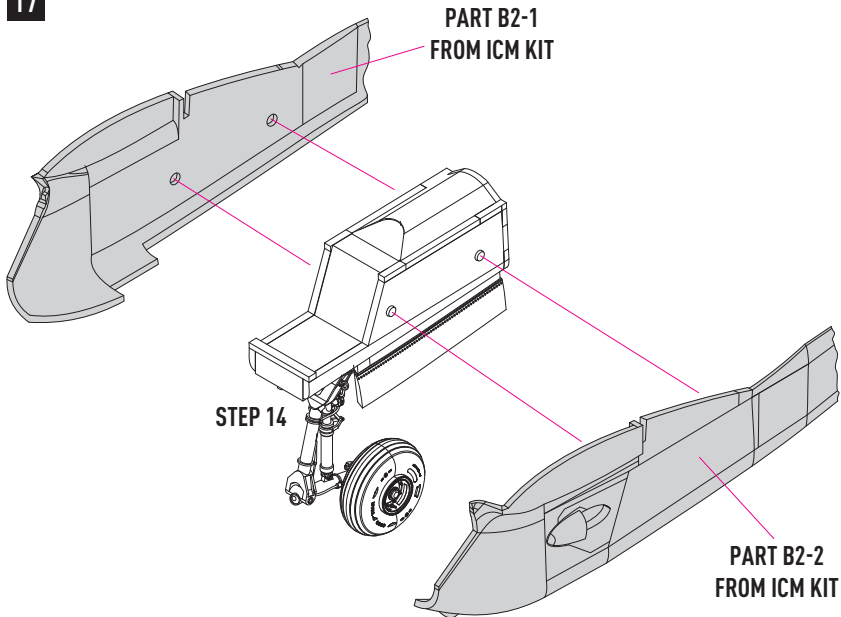
15



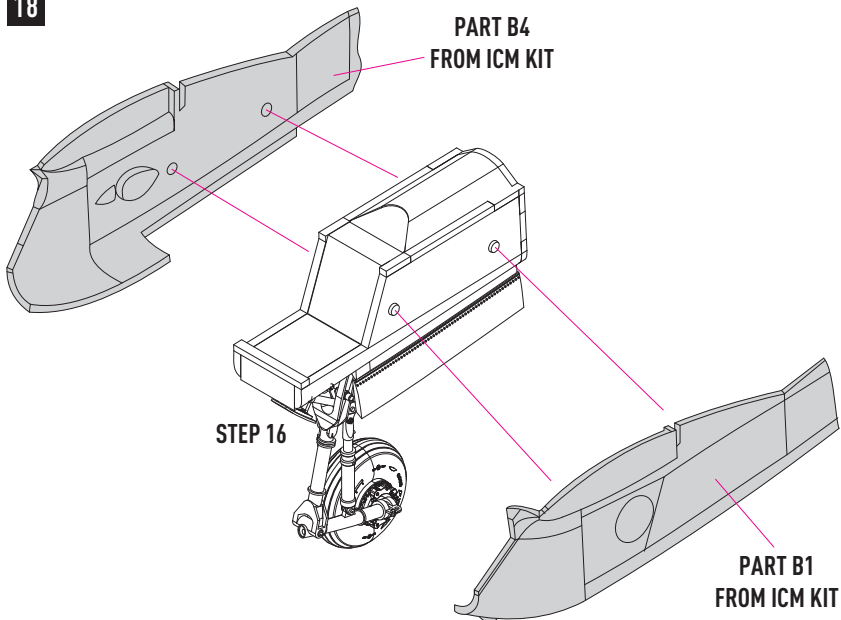
16



17

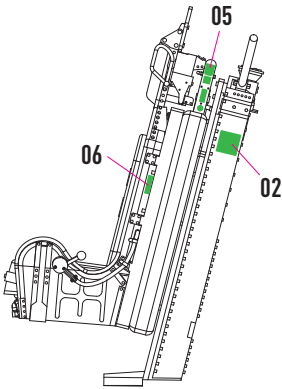


18

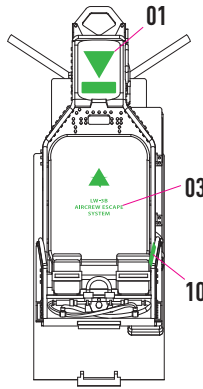


DECAL INSTRUCTION

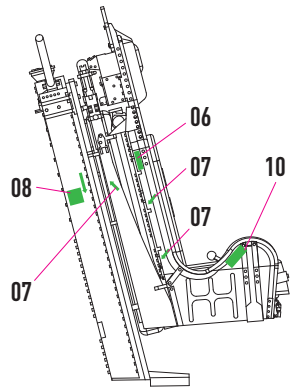
FIRST PILOT



LEFT

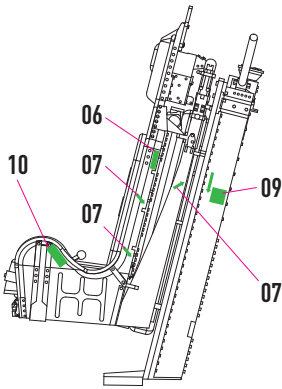


FRONT

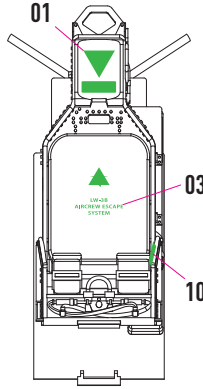


RIGHT

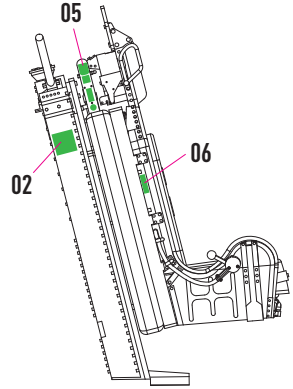
SECOND PILOT



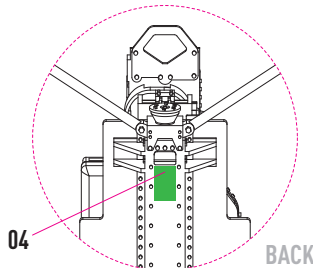
LEFT



FRONT



RIGHT



YOU CAN FIND INSTRUCTIONS
IN PDF FORMAT ON THE WEBSITE

RESKIT-MODELS.COM

General Issues: info@reskit.com.ua

Wholesales: sales@reskit.com.ua

Claim Resolution: claims@reskit.com.ua