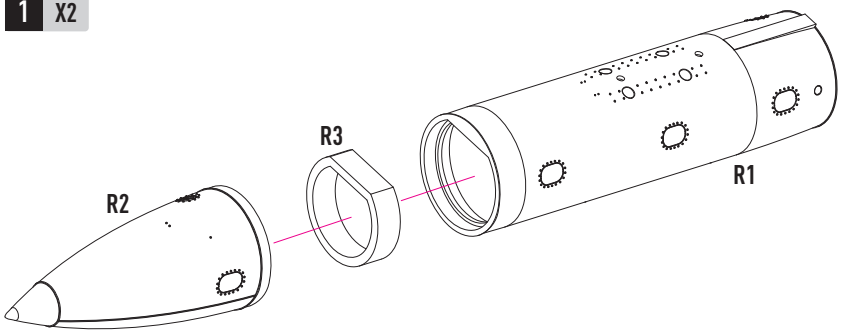


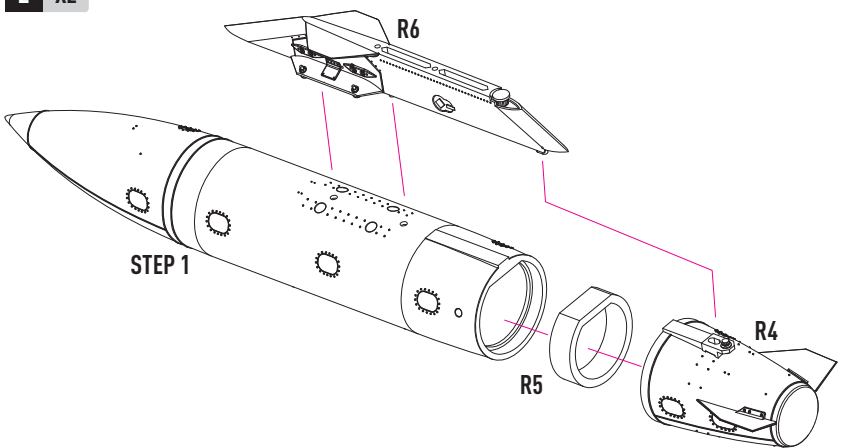
USE A SAW TO REMOVE SUPPORTS FROM 3D PRINTED PARTS

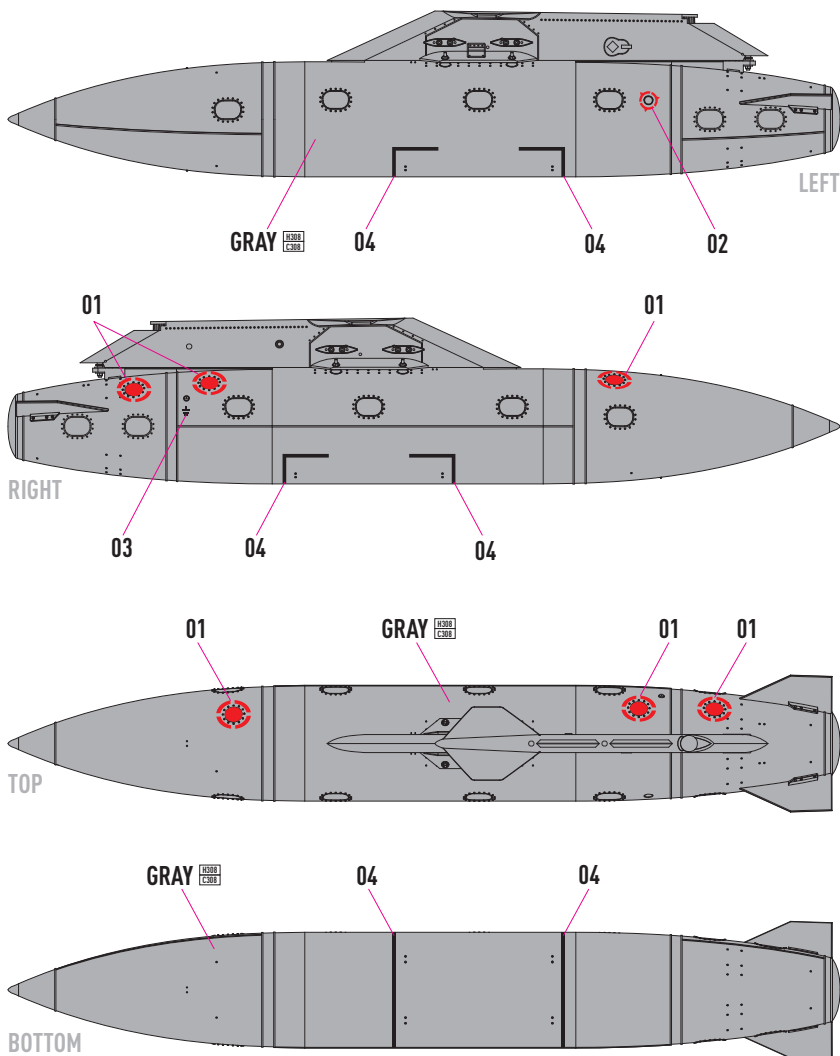
DETAILS AFTER REMOVAL FROM SUPPORTS

1 X2



2 X2





COLORS	GUNZE / AGEUS	GUNZE / MR.COLOR
GRAY	H308	C308