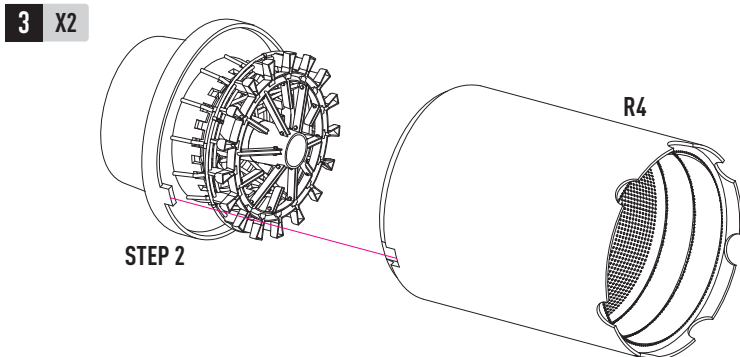
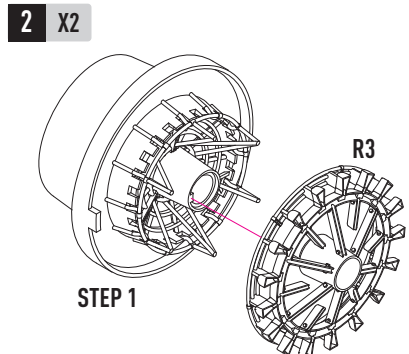
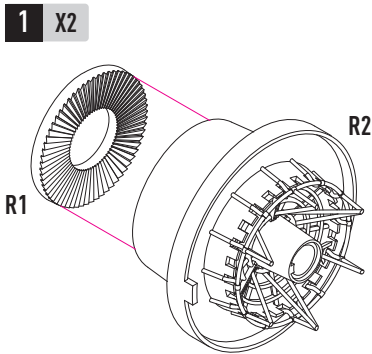
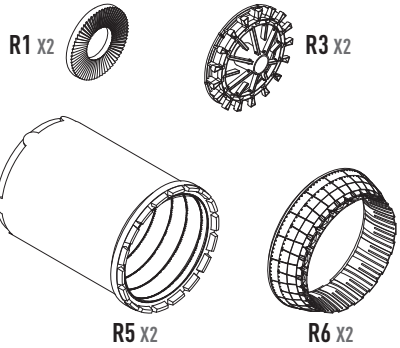
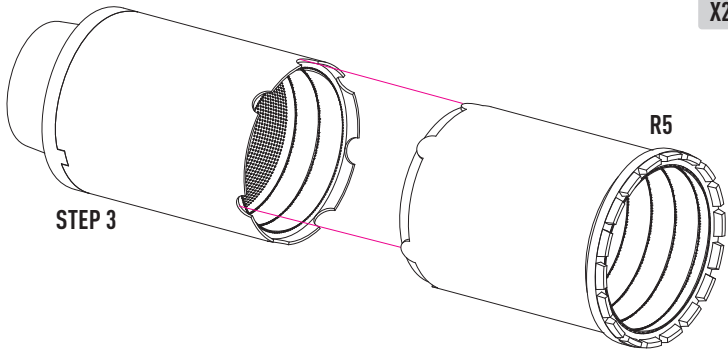


DETAILS AFTER REMOVAL FROM SUPPORTS

**USE A SAW TO REMOVE SUPPORTS
FROM 3D PRINTED PARTS**



X2 **4**



X2 **5**

