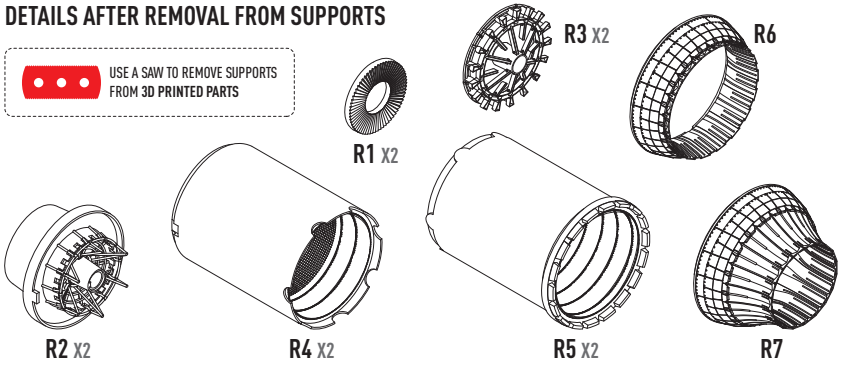
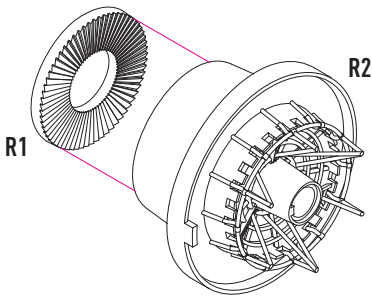


### DETAILS AFTER REMOVAL FROM SUPPORTS

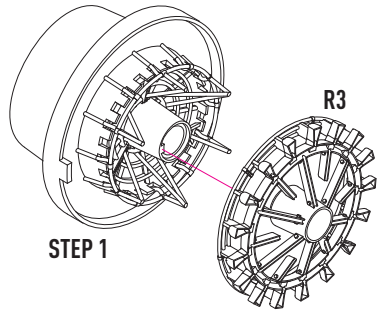
 USE A SAW TO REMOVE SUPPORTS  
FROM 3D PRINTED PARTS



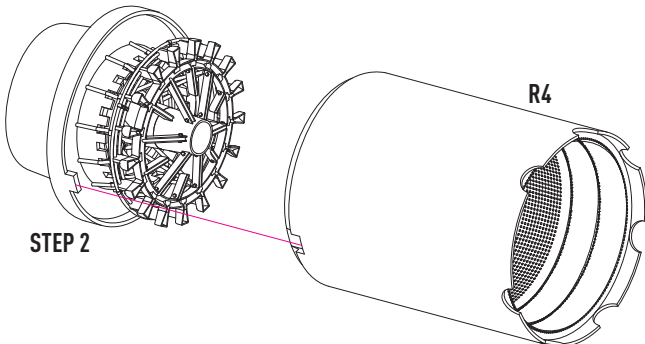
**1** X2



**2** X2



**3** X2



X2 **4**

