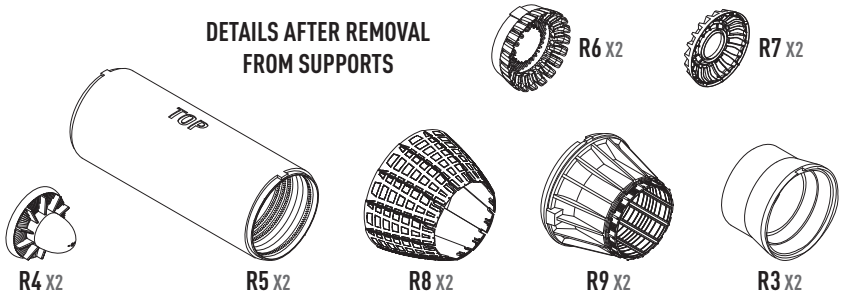
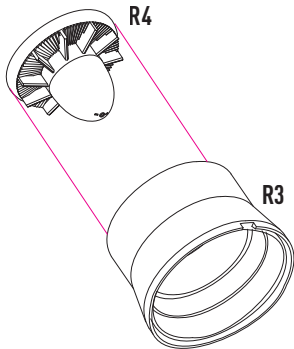


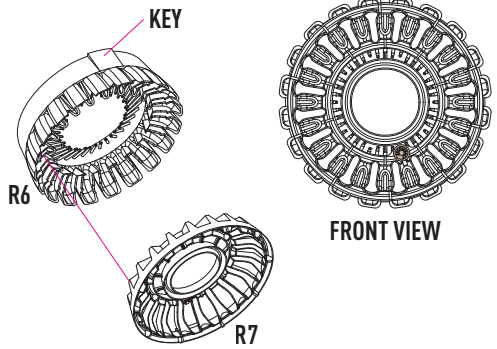
### DETAILS AFTER REMOVAL FROM SUPPORTS



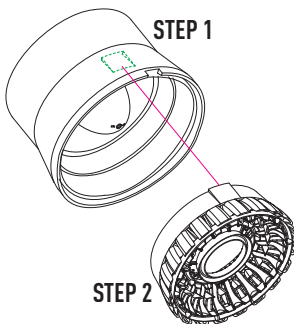
**1** X2



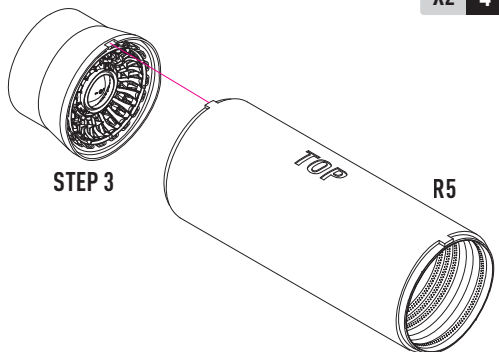
**2** X2



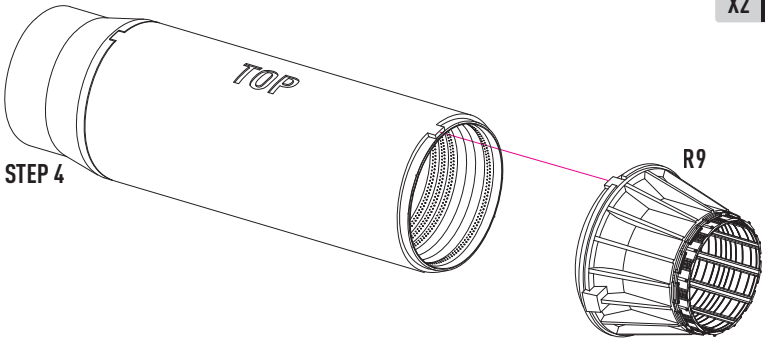
**3** X2



X2 **4**



X2 **5**



X2 **6**

