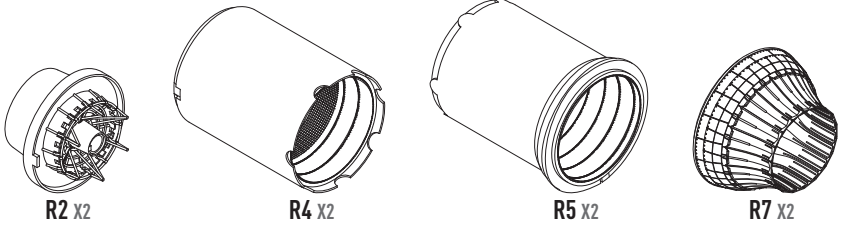
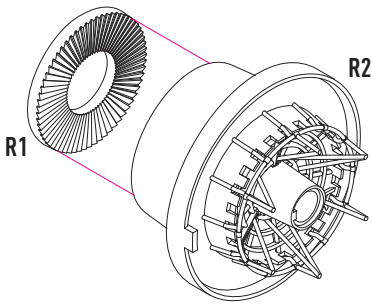


DETAILS AFTER REMOVAL FROM SUPPORTS

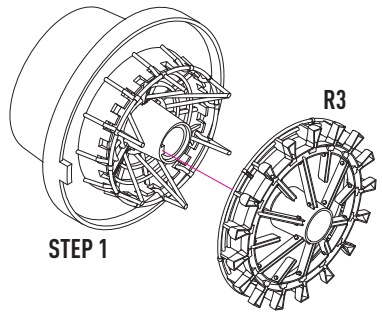
**USE A SAW TO REMOVE SUPPORTS
FROM 3D PRINTED PARTS**



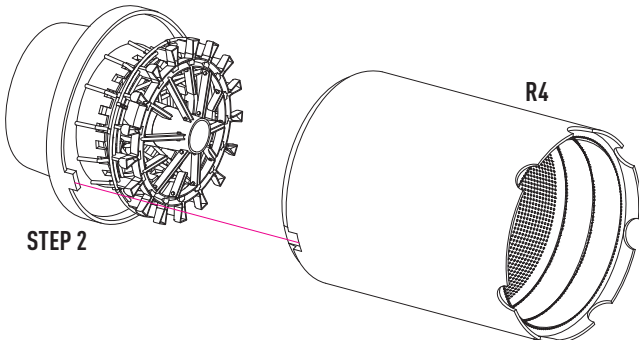
1 X2



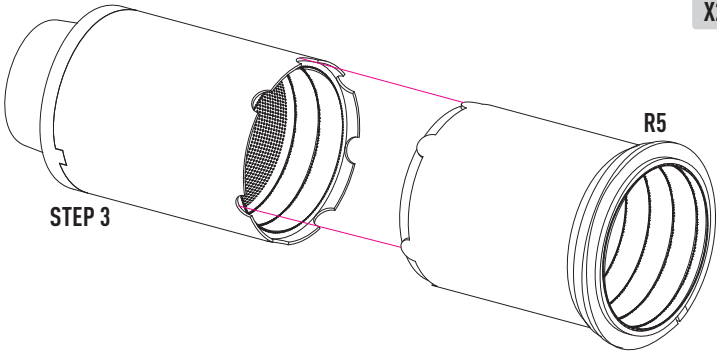
2 X2



3 X2



X2 4



X2 5

