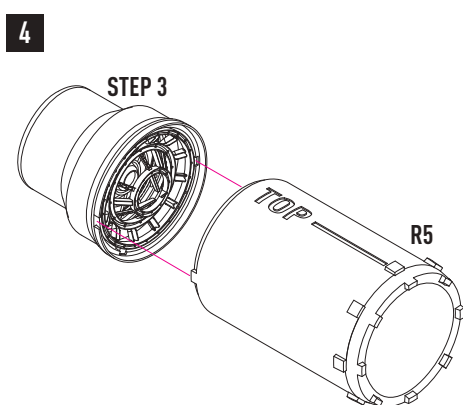
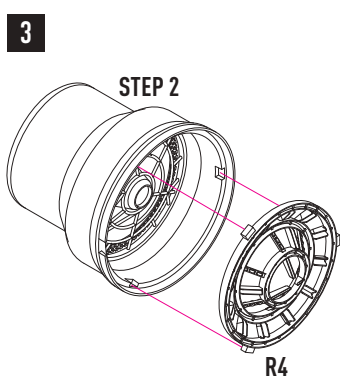
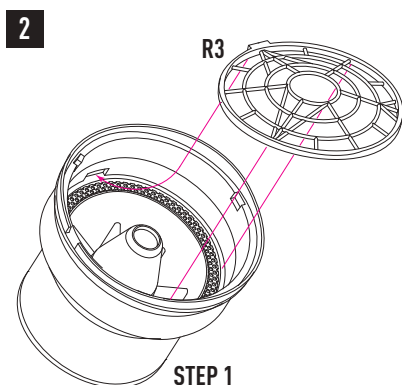
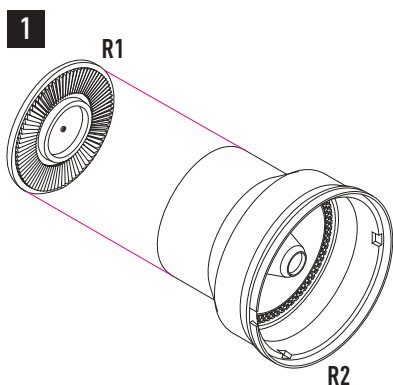
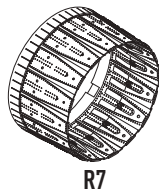
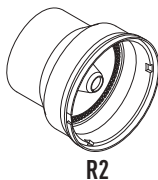
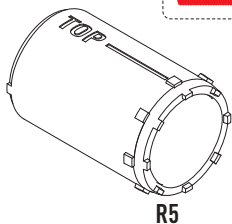
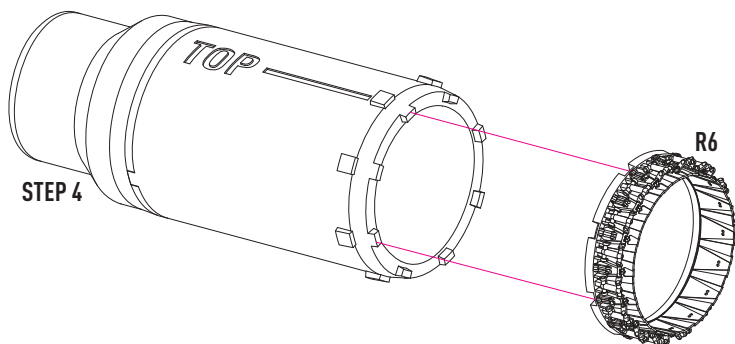


DETAILS AFTER REMOVAL FROM SUPPORTS

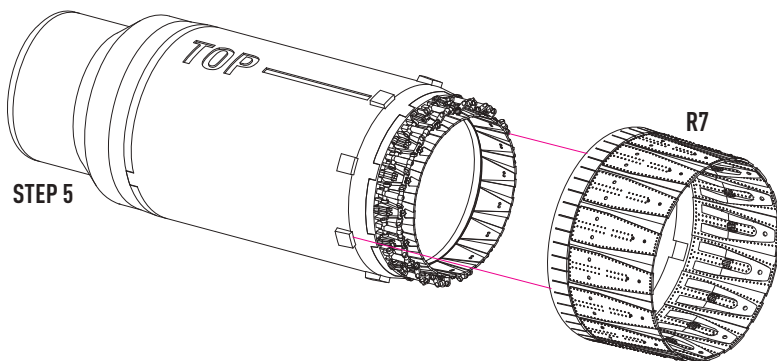
USE A SAW TO REMOVE SUPPORTS
FROM 3D PRINTED PARTS



5



6



7

