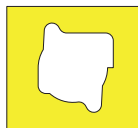
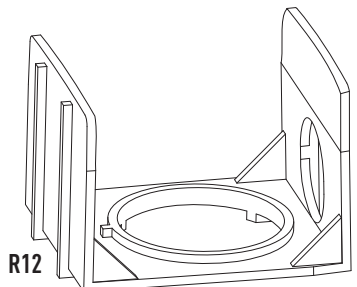


DETAILS AFTER REMOVAL FROM SUPPORTS

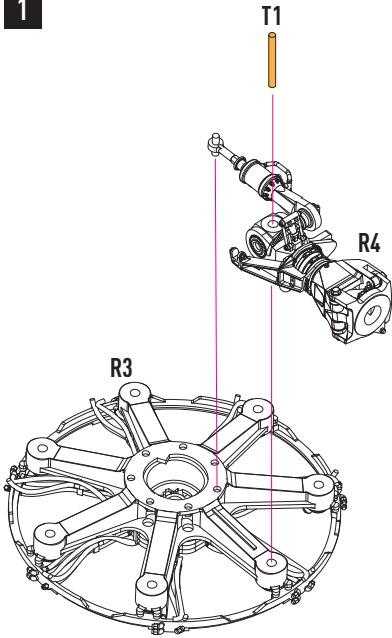


M1

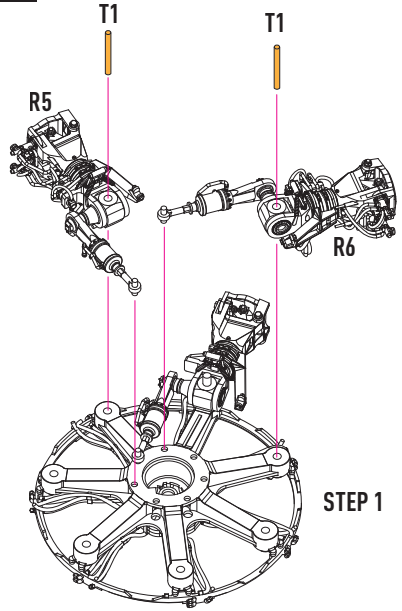


USE A SAW TO REMOVE SUPPORTS
FROM 3D PRINTED PARTS

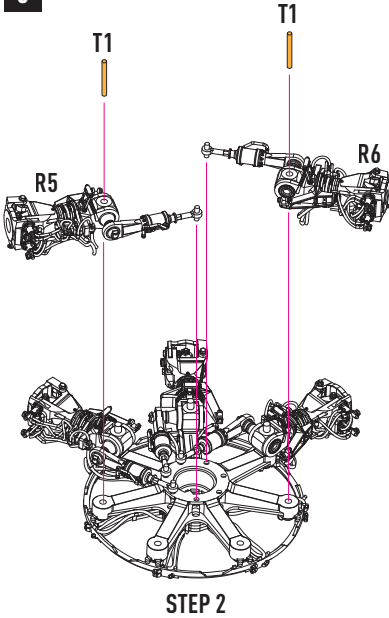
1



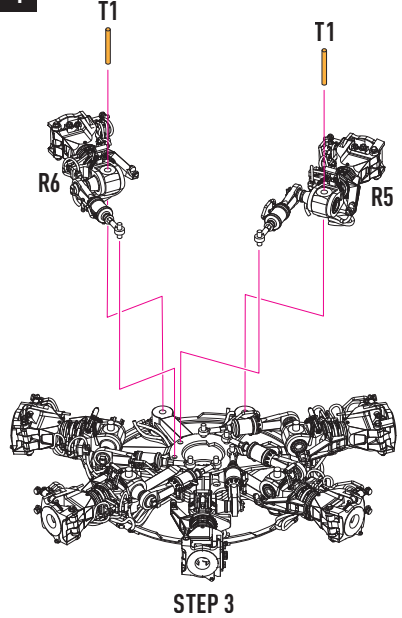
2



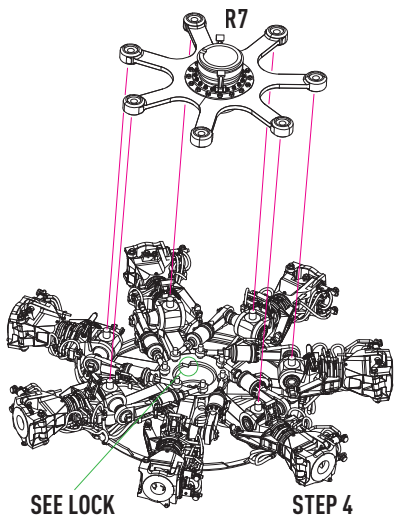
3



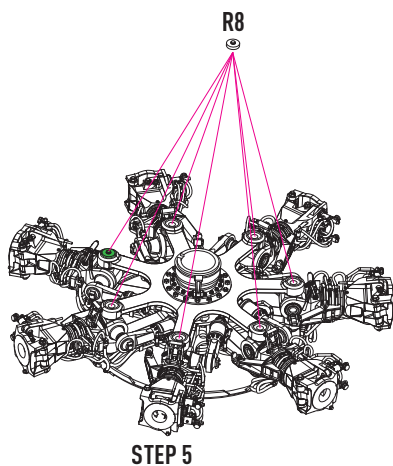
4



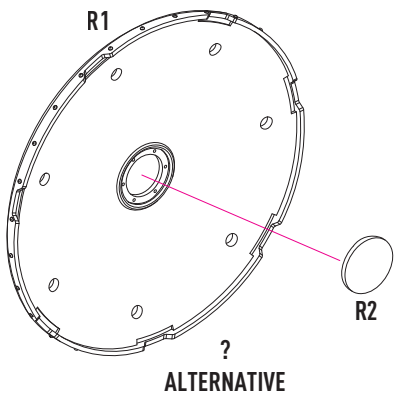
5



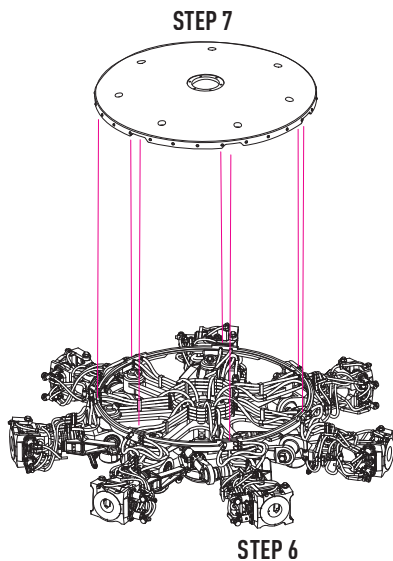
6



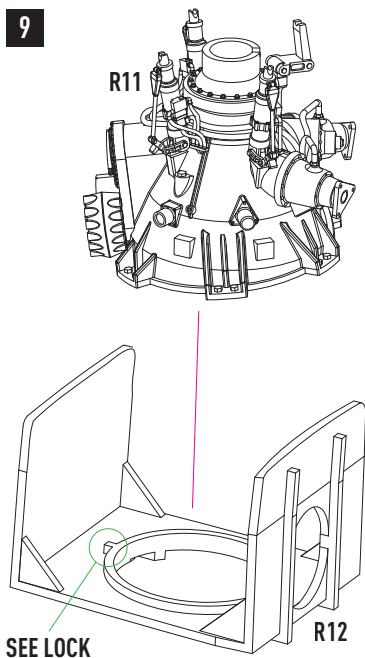
7



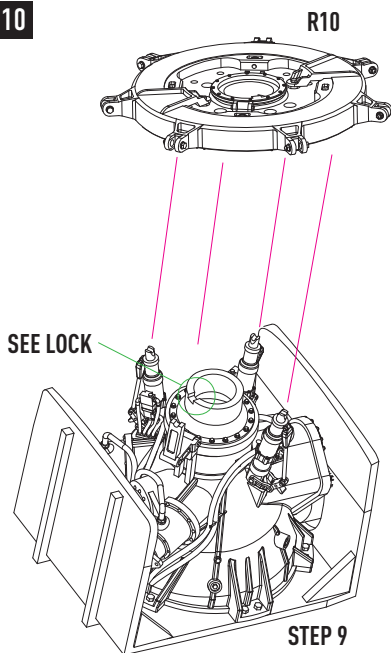
8



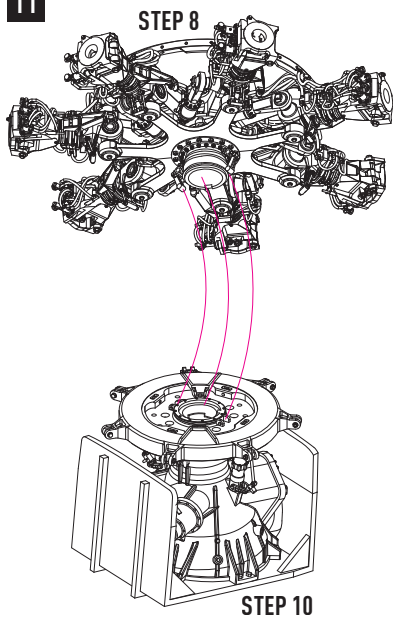
9



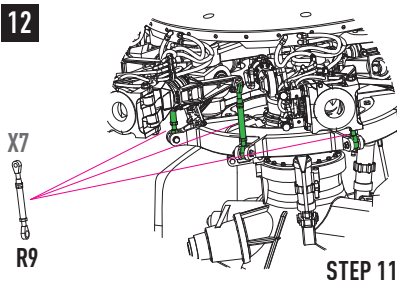
10



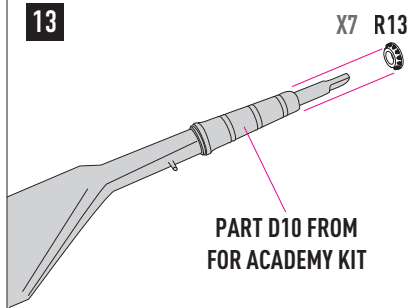
11

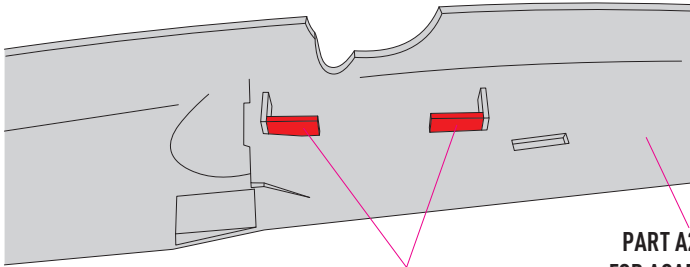


12



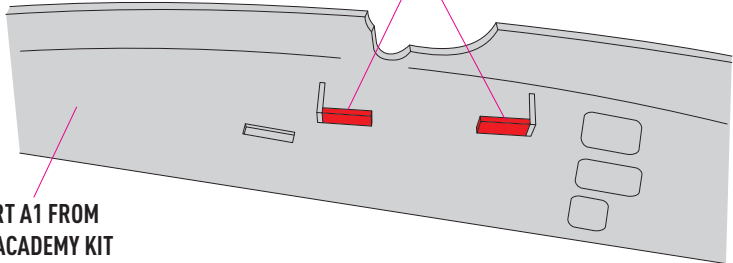
13



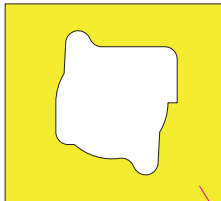


CUT

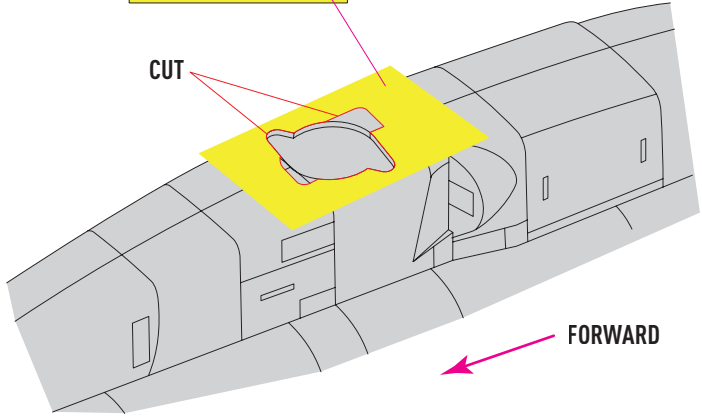
PART A2 FROM FOR ACADEMY KIT



PART A1 FROM FOR ACADEMY KIT



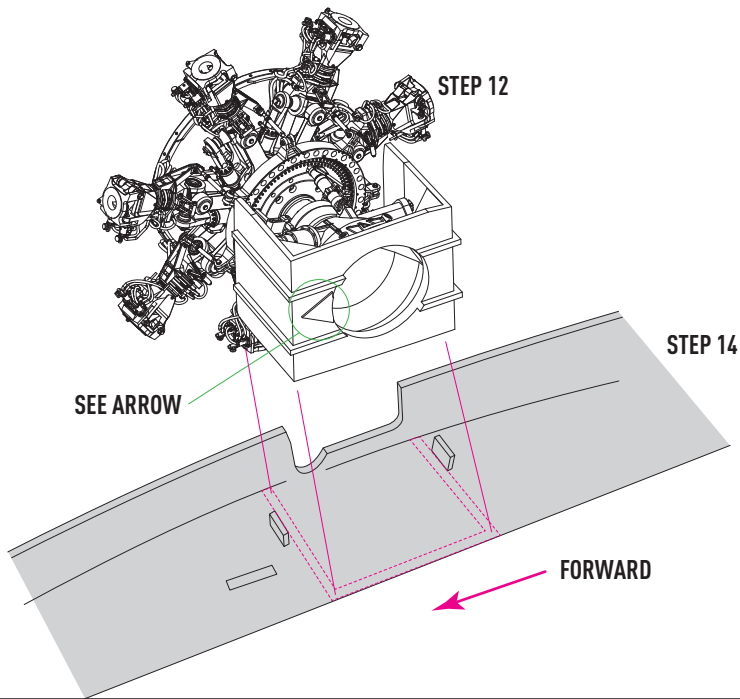
USE TEMPLATE M1



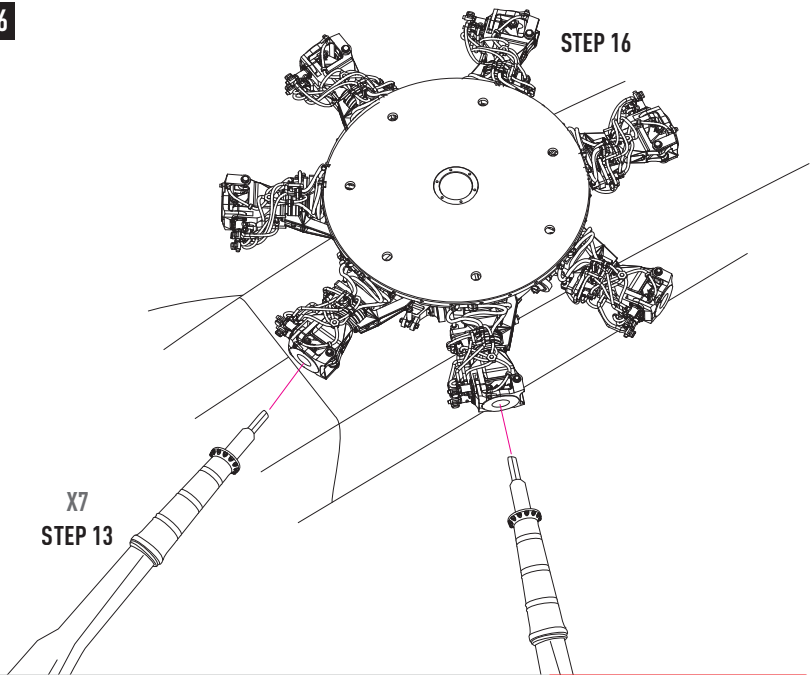
CUT

FORWARD

15

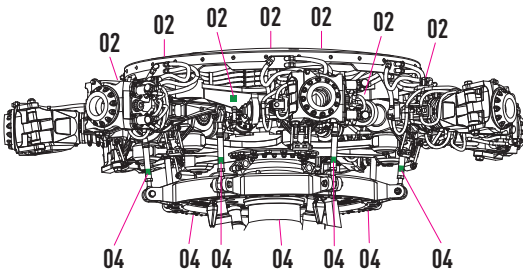
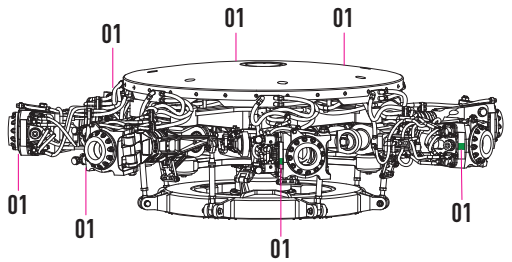
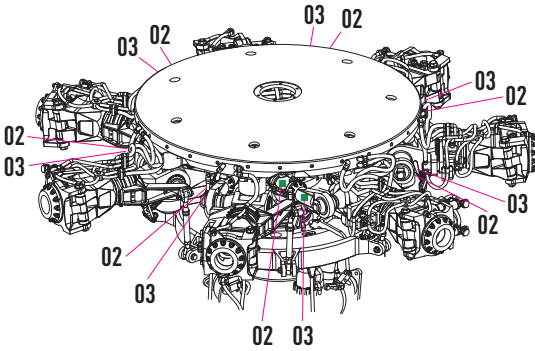
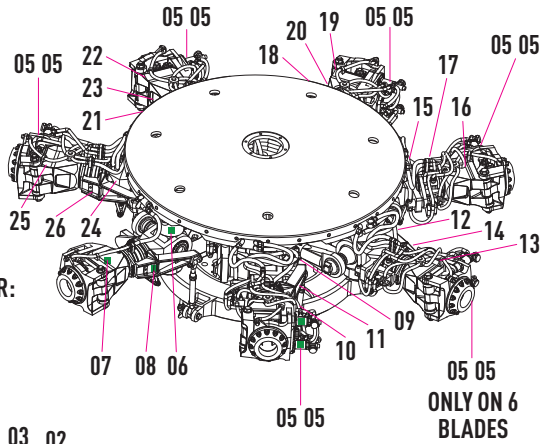


16



DECAL INSTRUCTION

EACH BLADE HAS ITS OWN COLOR:



YOU CAN FIND INSTRUCTIONS
IN PDF FORMAT ON THE WEBSITE

RESKIT-MODELS.COM

General Issues: info@reskit.com.ua

Wholesales: sales@reskit.com.ua

Claim Resolution: claims@reskit.com.ua