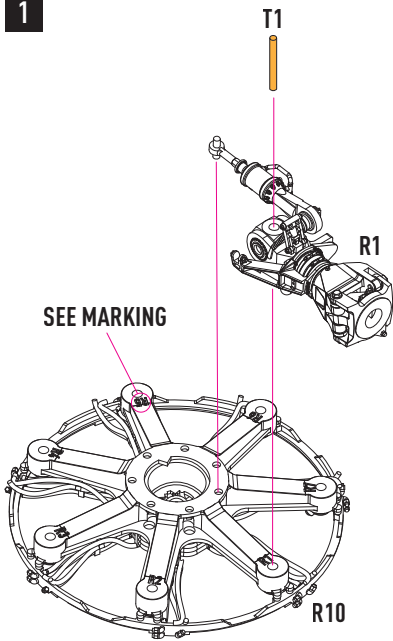
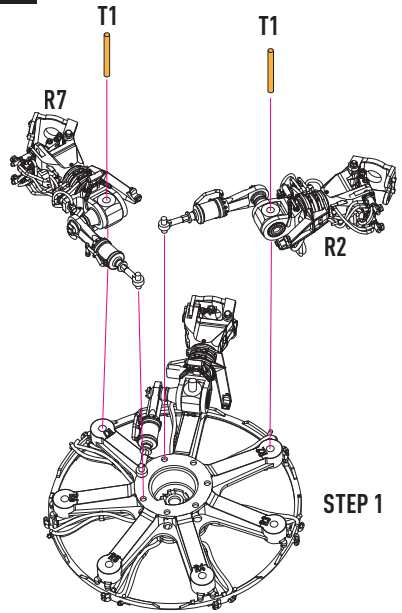


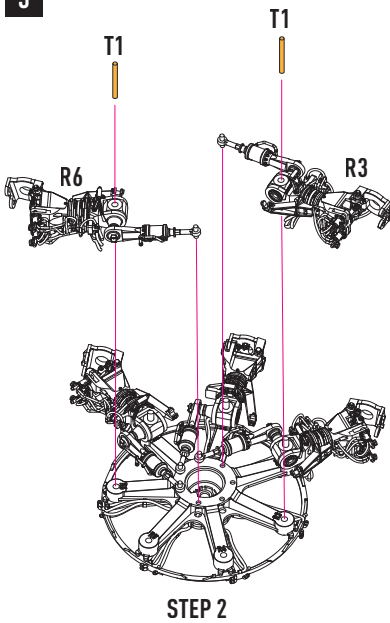
1



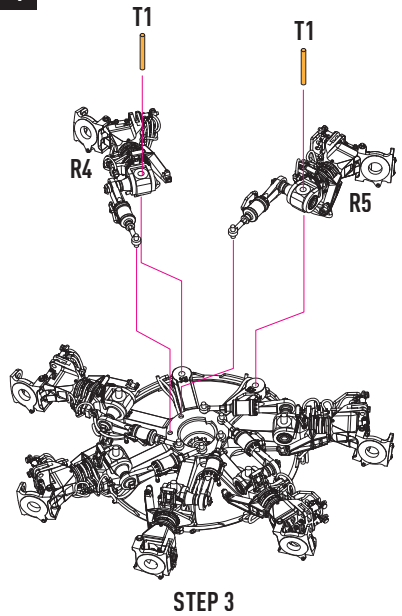
2



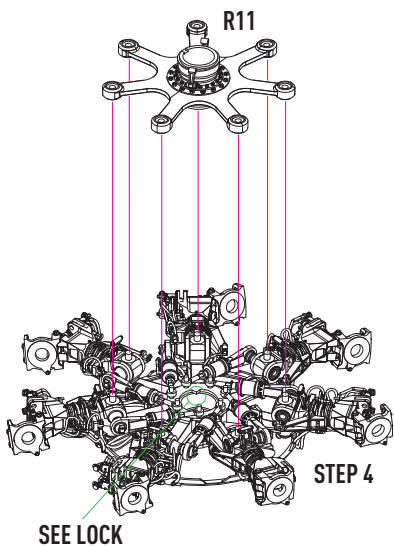
3



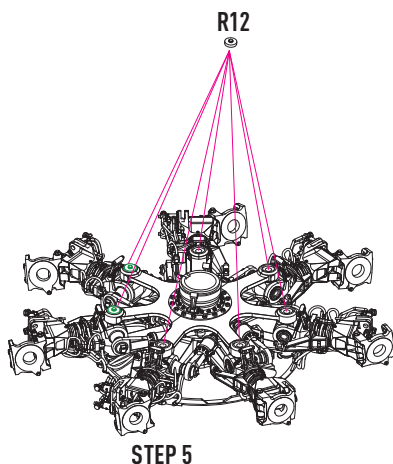
4



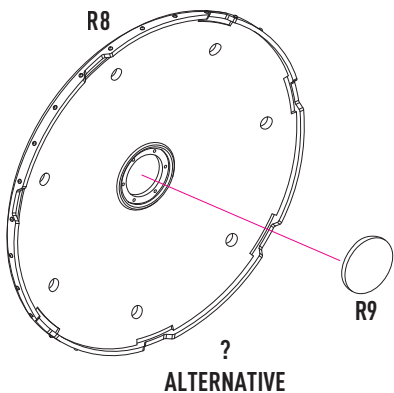
5



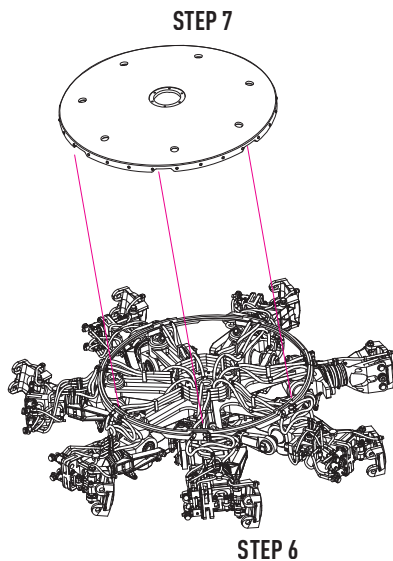
6



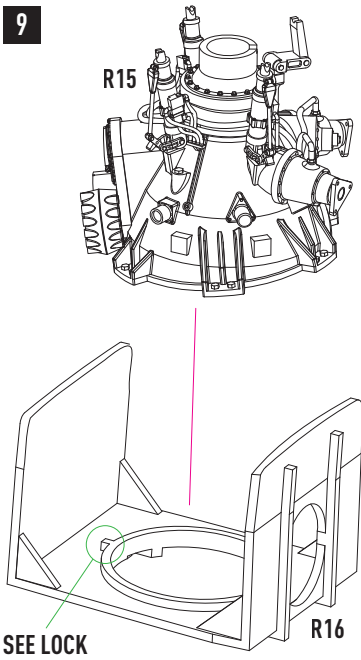
7



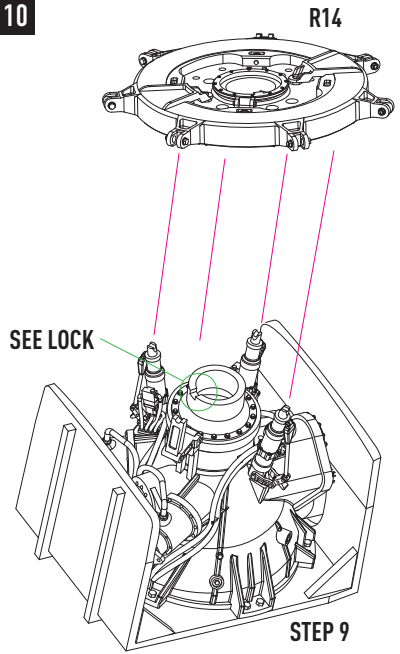
8



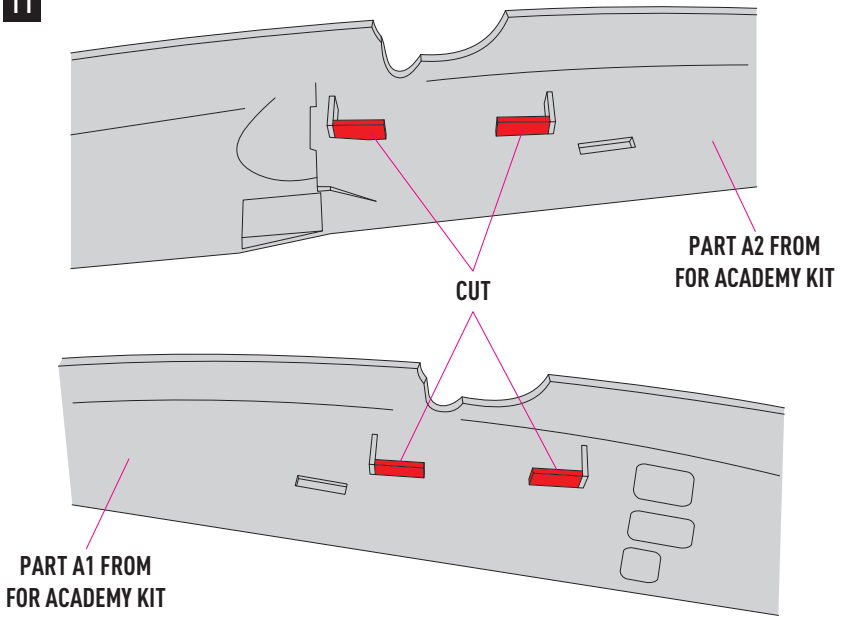
9



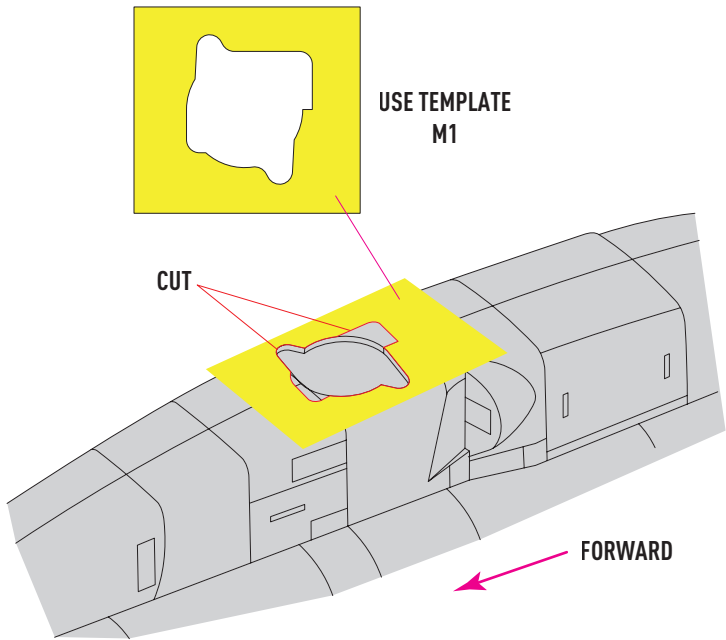
10



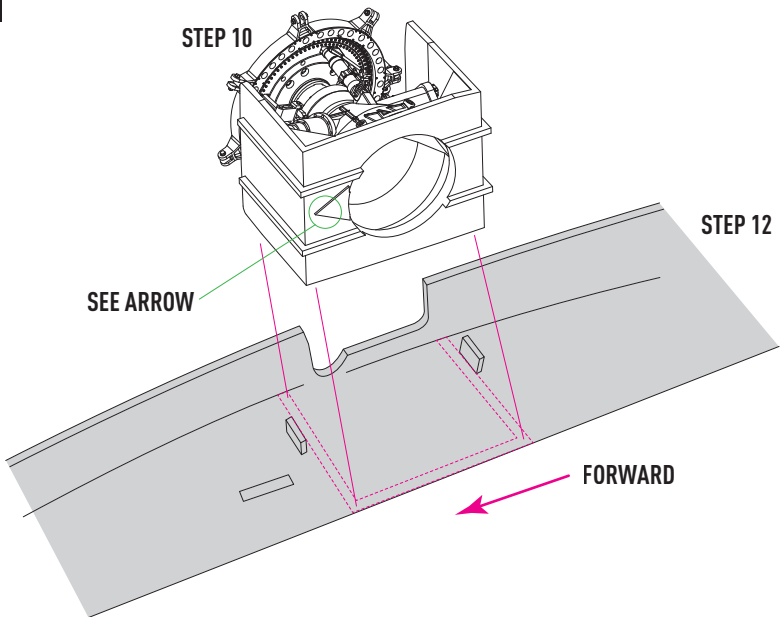
11



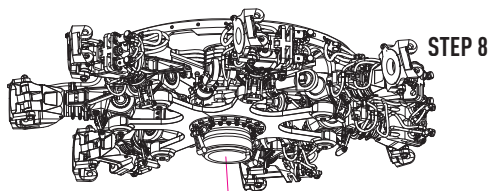
12



13



14



STEP 13

FORWARD

15 X7

PART D10 FROM FOR ACADEMY KIT

2.2 MM

CUT

16 X7

R17

STEP 15

17 X7

18 X7

DRILL A HOLE D=1 MM, DEPTH=1 MM (NO THROUGH)

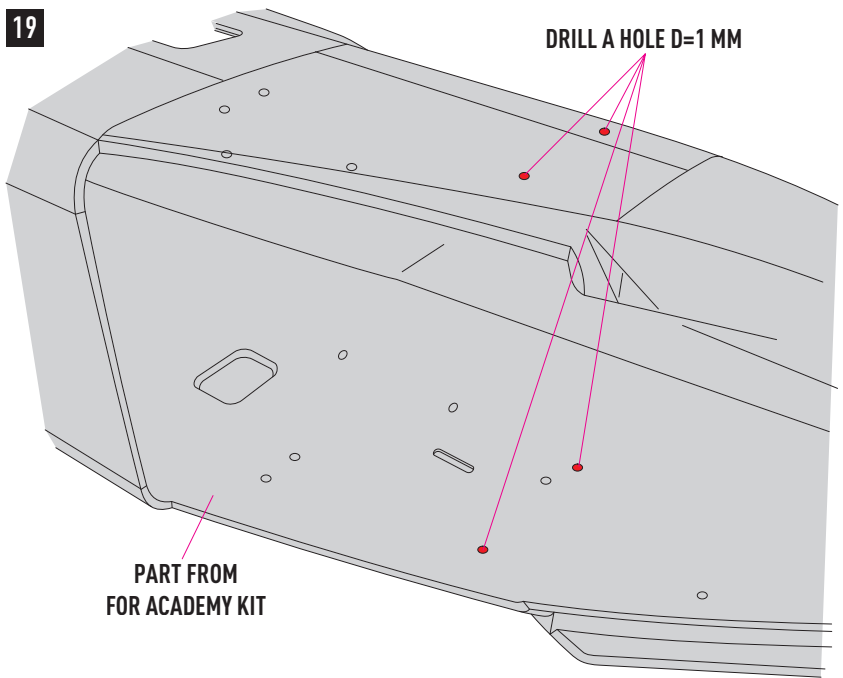
R13

STEP 14

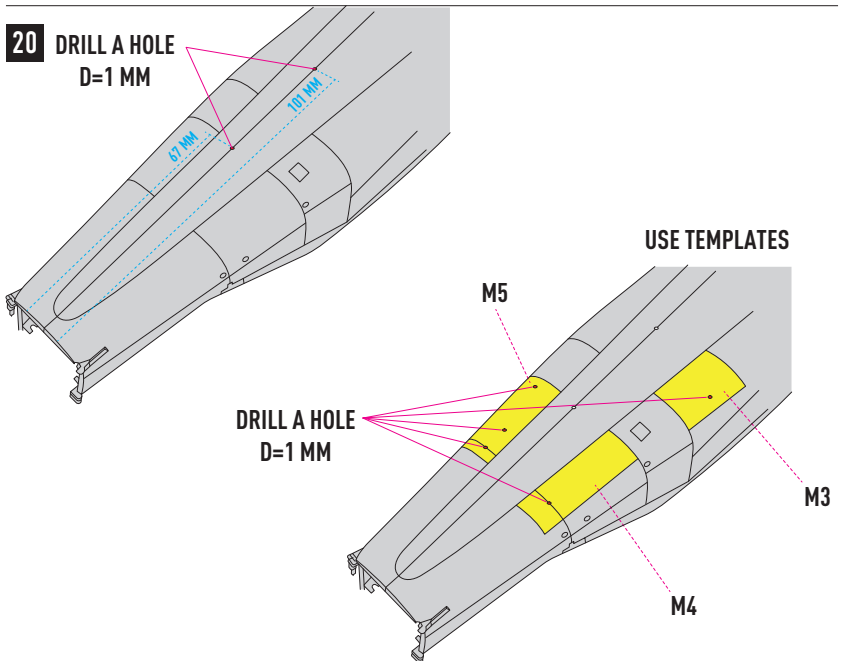
PART FROM FOR ACADEMY KIT

M2

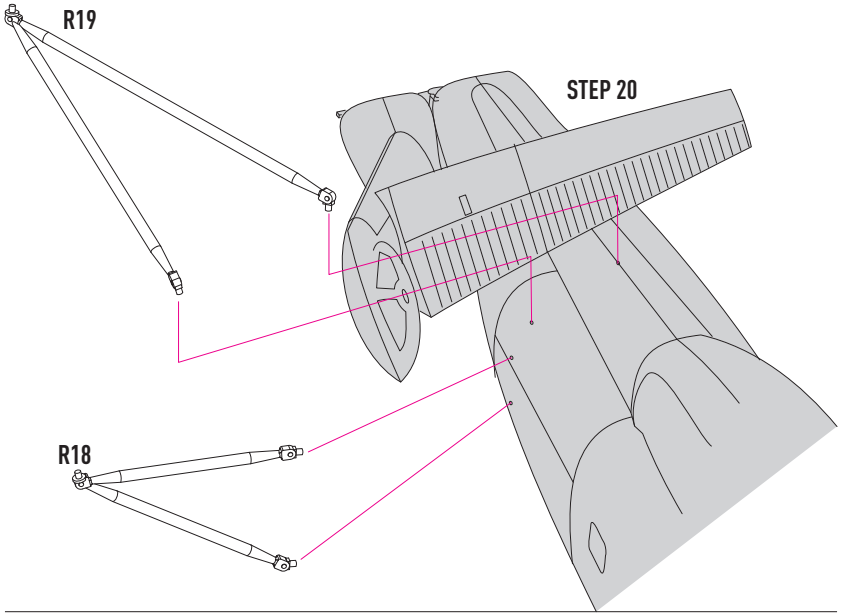
19



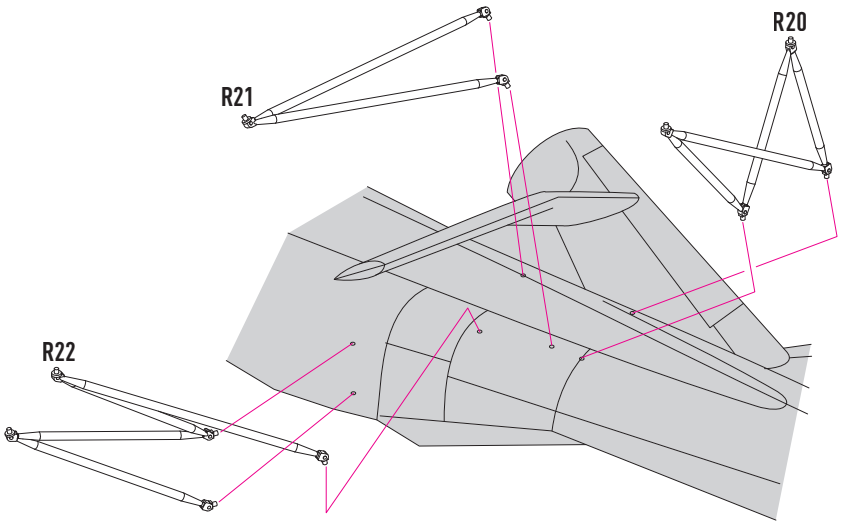
20 DRILL A HOLE D=1 MM



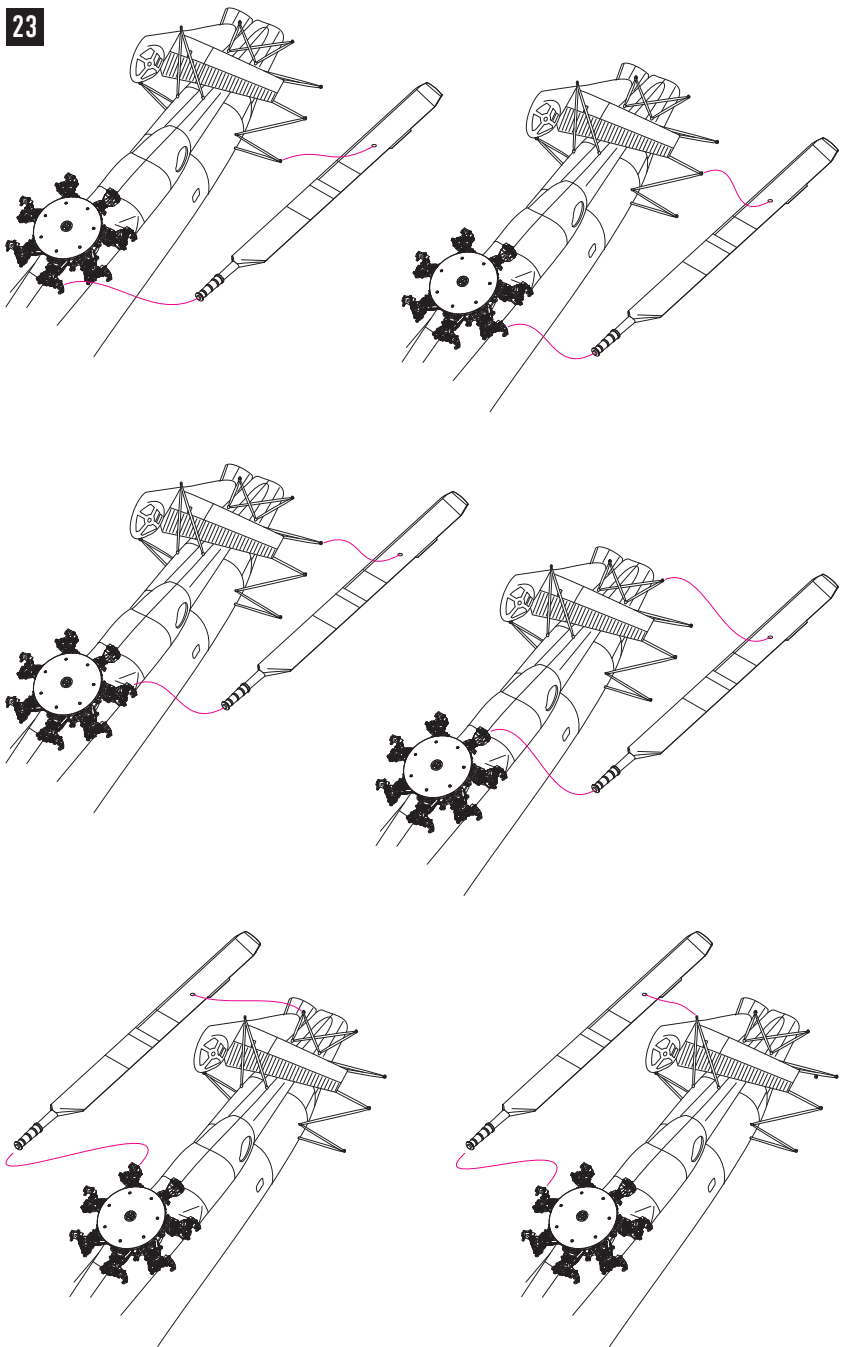
21

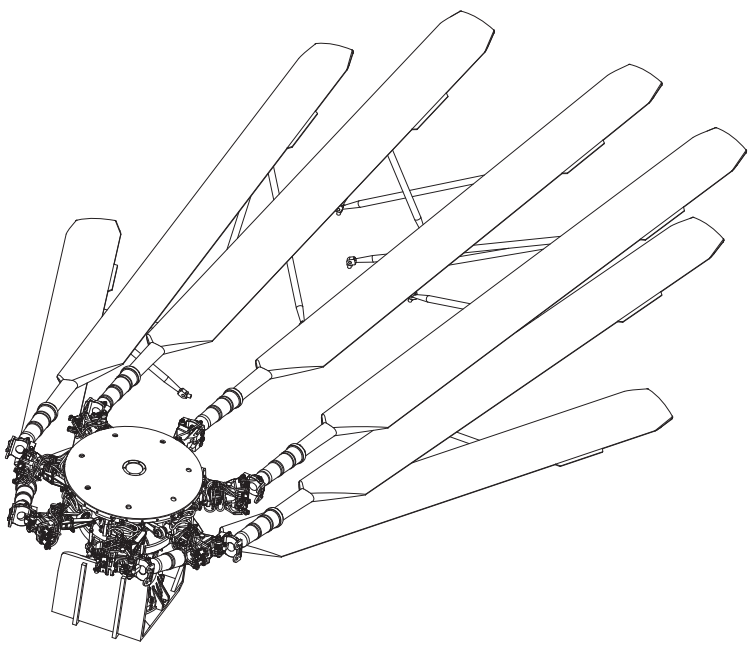
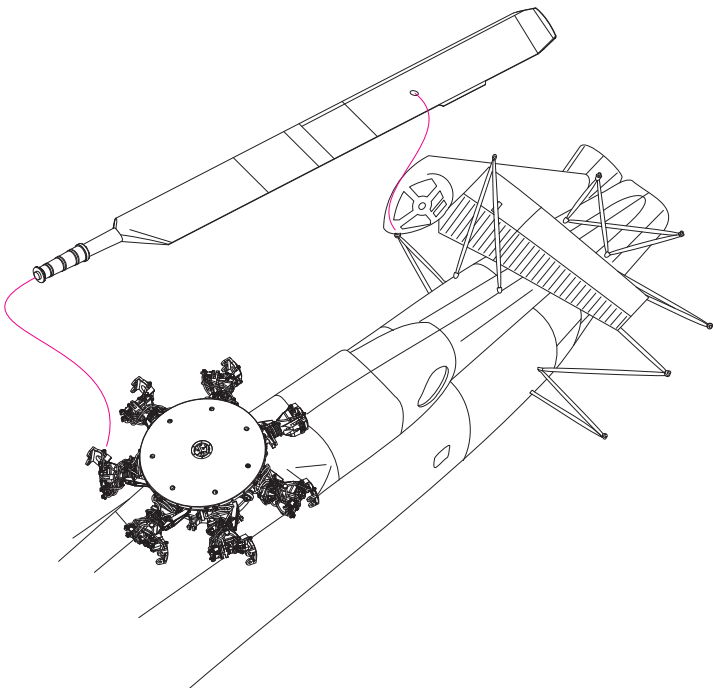


22



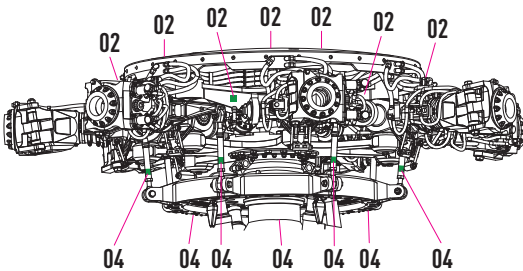
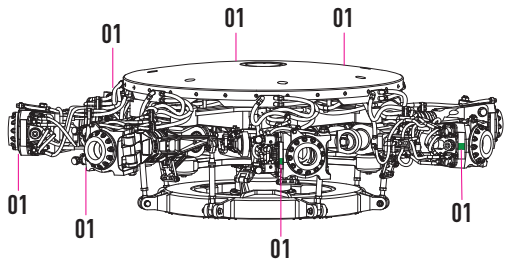
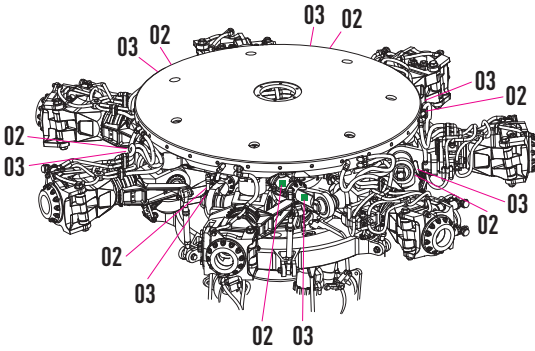
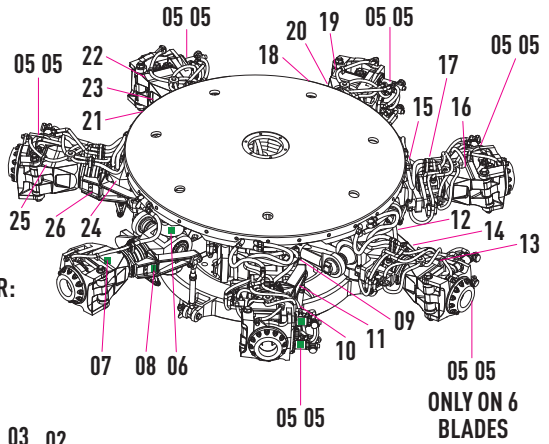






# DECAL INSTRUCTION

EACH BLADE HAS ITS OWN COLOR:



YOU CAN FIND INSTRUCTIONS  
IN PDF FORMAT ON THE WEBSITE

**RESKIT-MODELS.COM**

General Issues: [info@reskit.com.ua](mailto:info@reskit.com.ua)

Wholesales: [sales@reskit.com.ua](mailto:sales@reskit.com.ua)

Claim Resolution: [claims@reskit.com.ua](mailto:claims@reskit.com.ua)