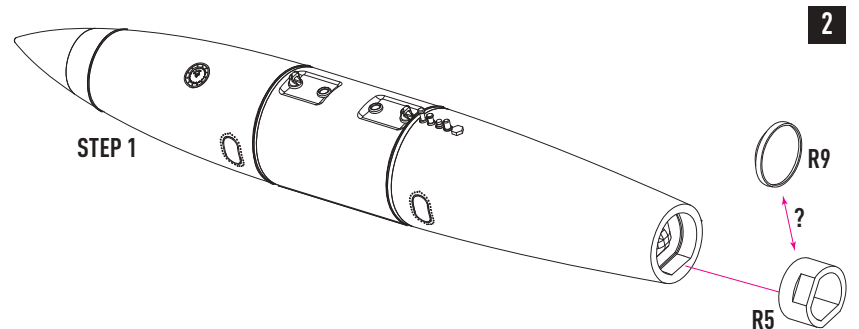
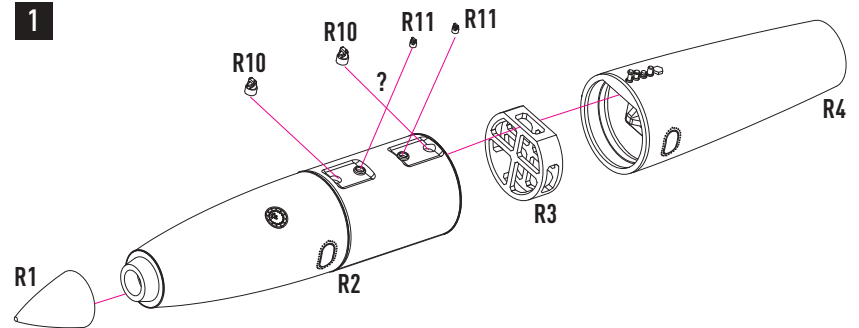
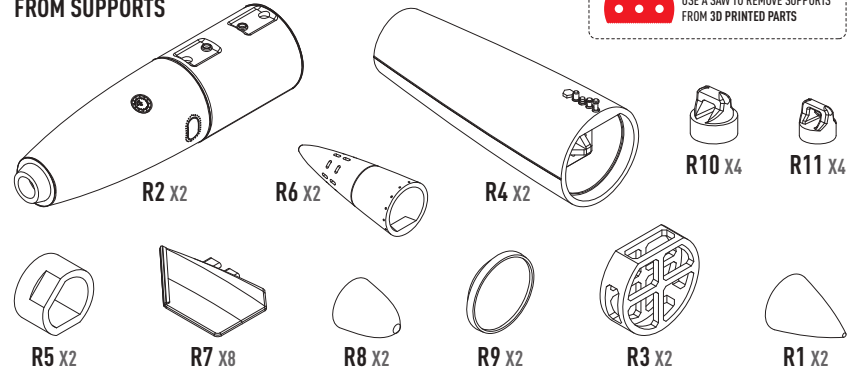


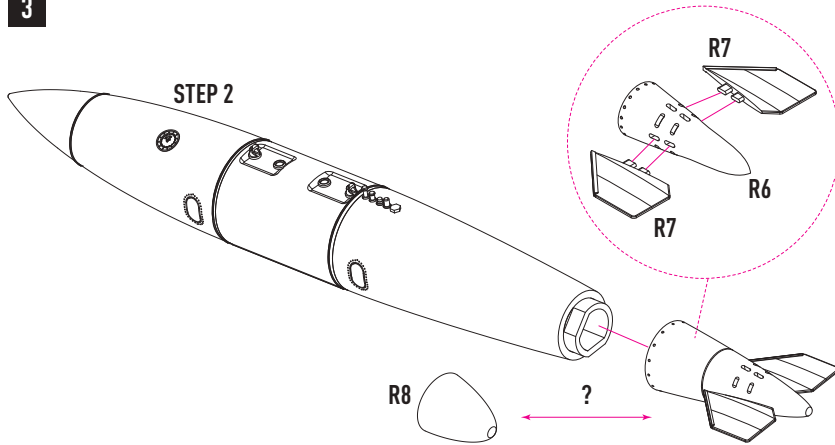
PAINT IN THE COLOR OF THE PLANE

DETAILS AFTER REMOVAL
FROM SUPPORTS

USE A SAW TO REMOVE SUPPORTS
FROM 3D PRINTED PARTS

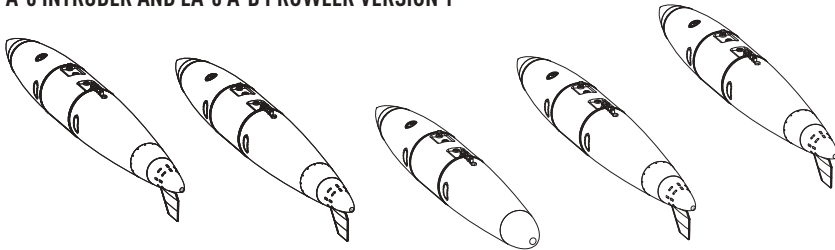


3

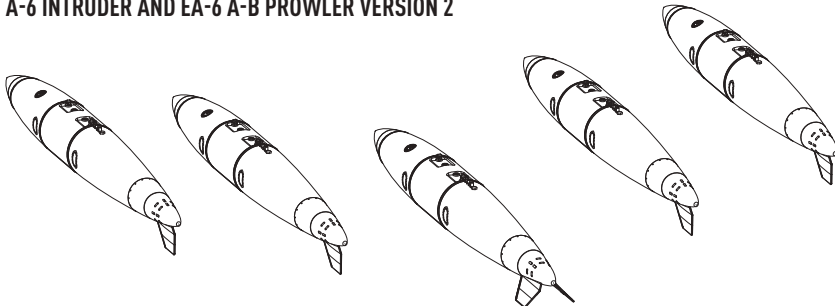


EQUIPMENT DEPENDING ON THE MOUNTING LOCATION AND AIRCRAFT MODEL

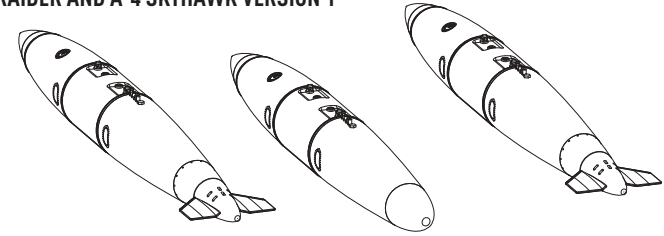
A-6 INTRUDER AND EA-6 A-B PROWLER VERSION 1



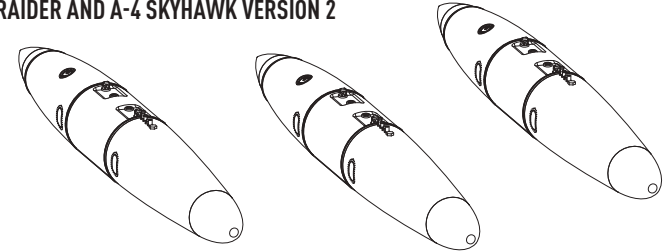
A-6 INTRUDER AND EA-6 A-B PROWLER VERSION 2



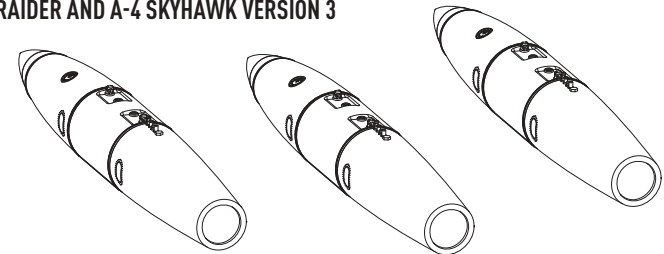
A-1 SKYRAIDER AND A-4 SKYHAWK VERSION 1



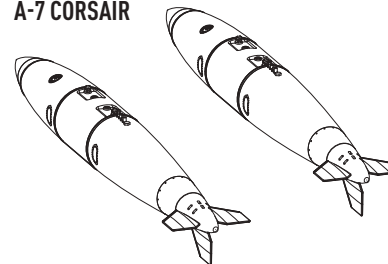
A-1 SKYRAIDER AND A-4 SKYHAWK VERSION 2



A-1 SKYRAIDER AND A-4 SKYHAWK VERSION 3



A-7 CORSAIR



S-3 VIKING

