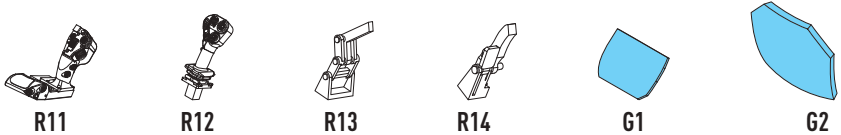
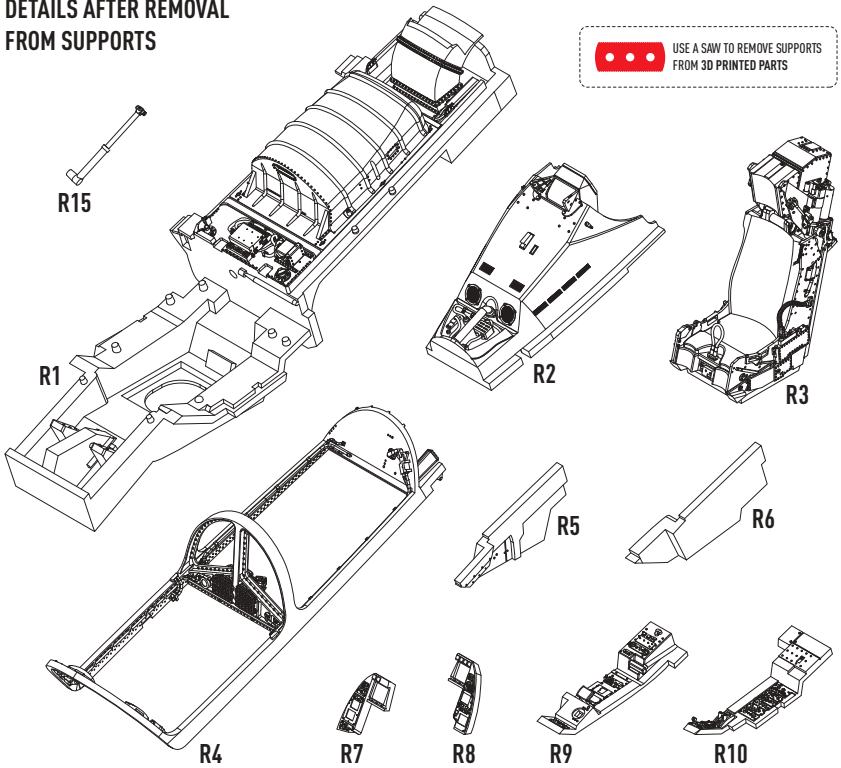


DETAILS AFTER REMOVAL FROM SUPPORTS

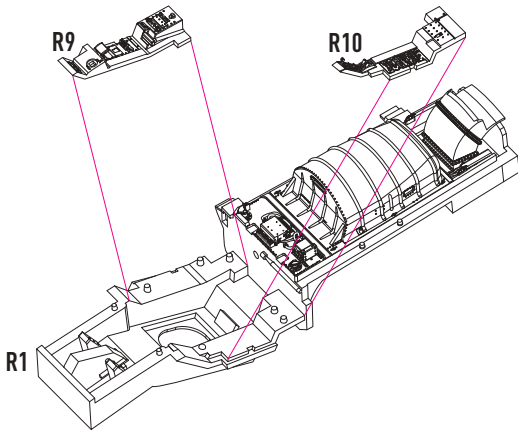
USE A SAW TO REMOVE SUPPORTS
FROM 3D PRINTED PARTS



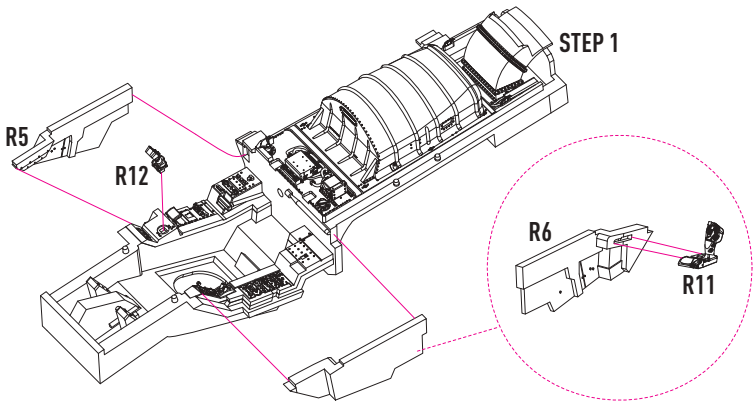
PARTS G1 AND G2 SHOULD BE COATED WITH GLOSSY VARNISH BEFORE USE



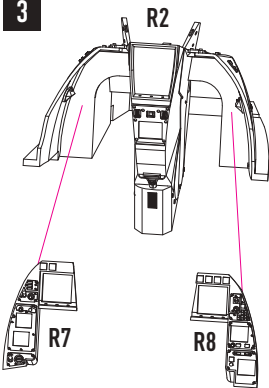
1



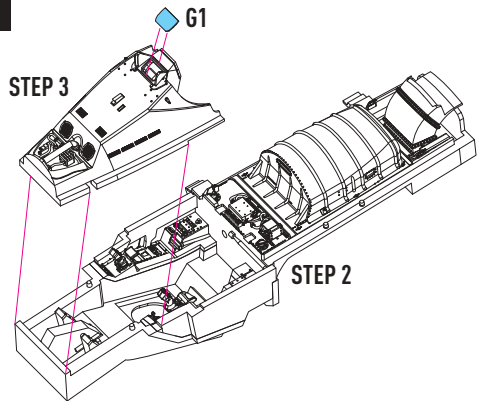
2



3

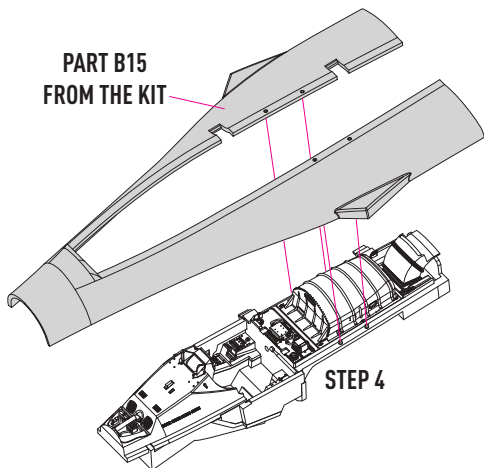


4



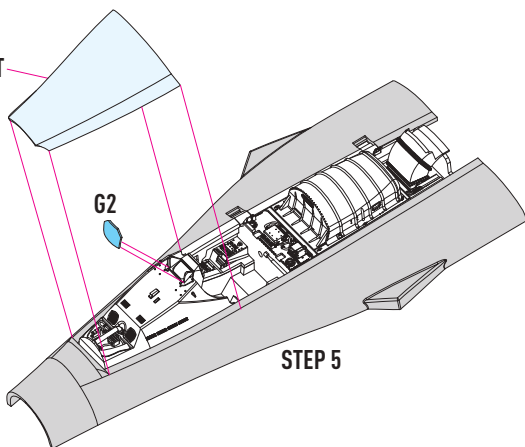
5

PART B15
FROM THE KIT



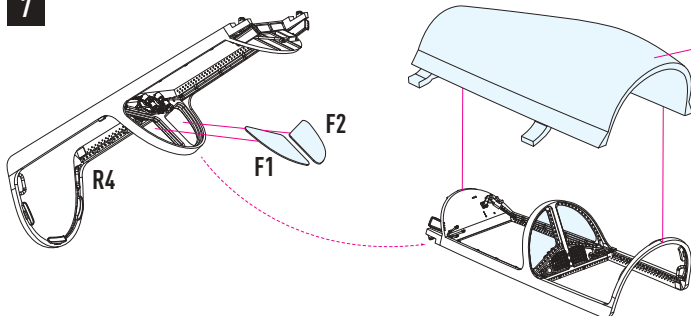
6

PART E74
FROM THE KIT

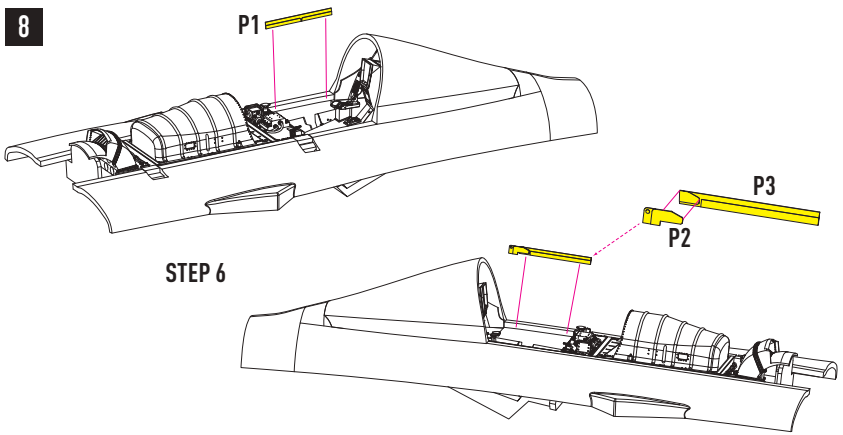


7

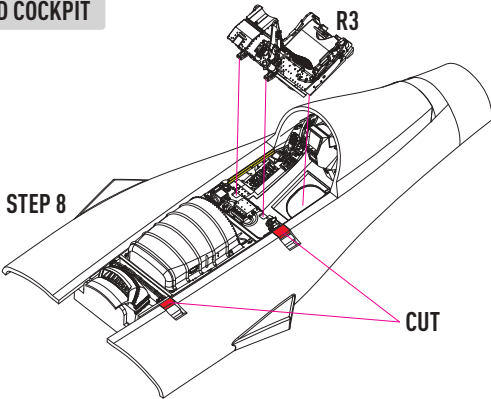
PART E70
FROM THE KIT



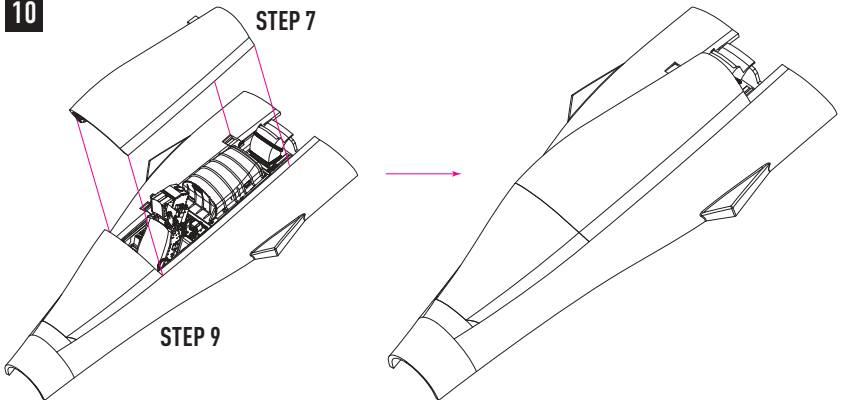
8



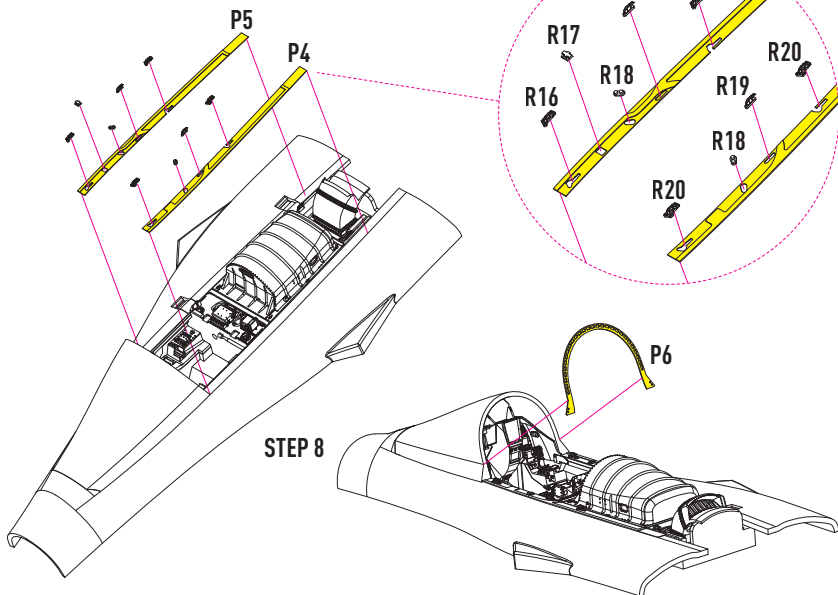
9 FOR A CLOSED COCKPIT



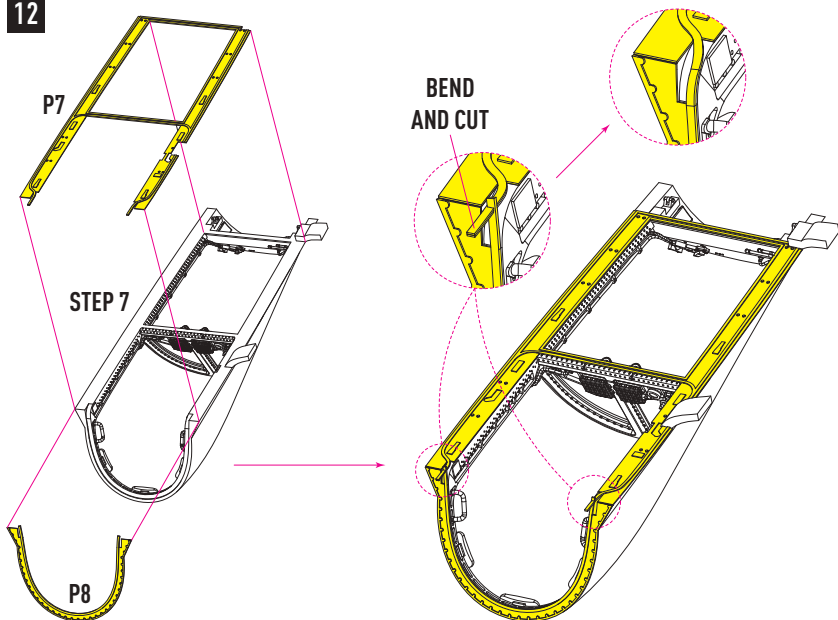
10

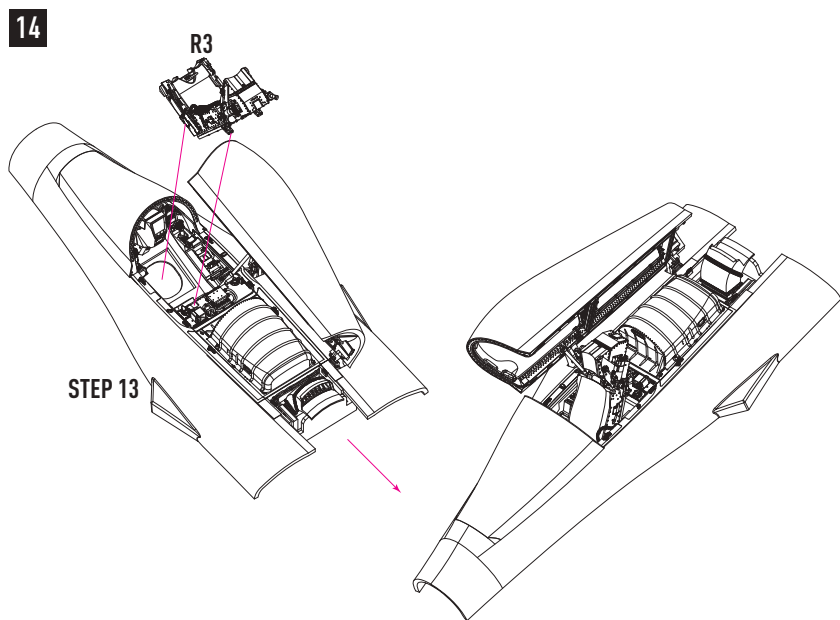
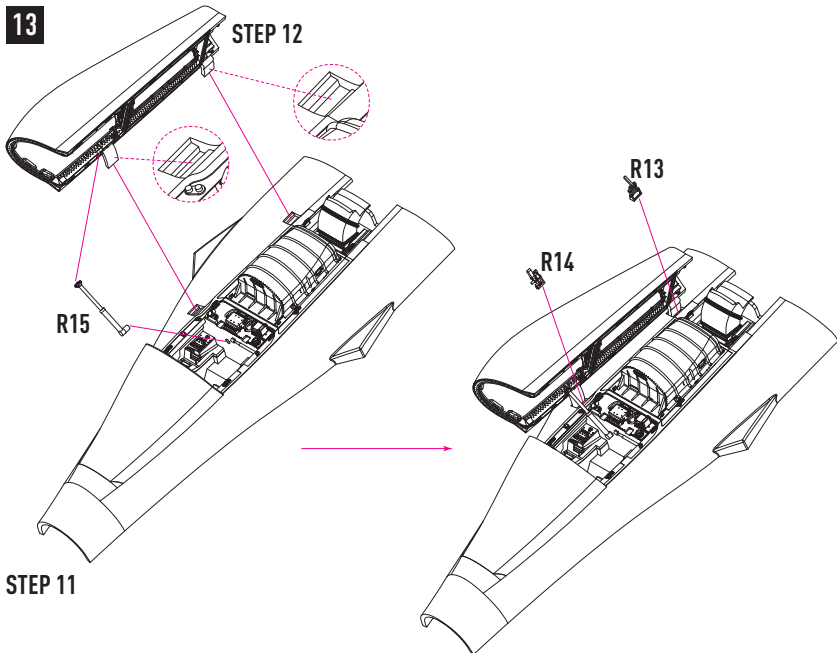


11 FOR AN OPEN COCKPIT

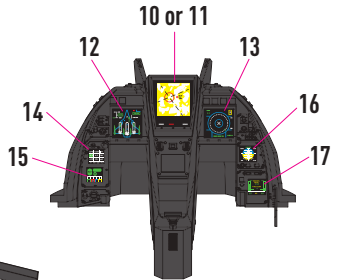
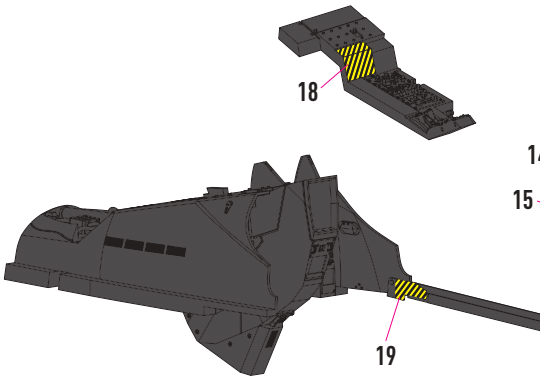
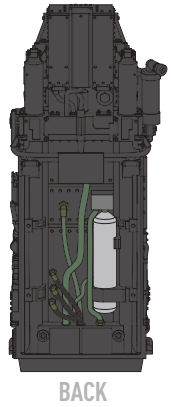
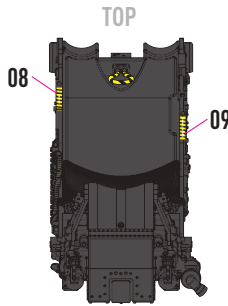
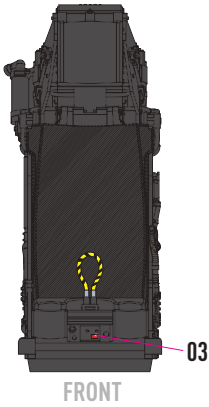
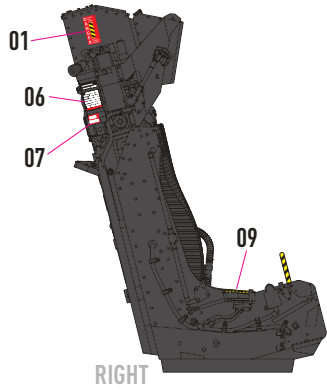
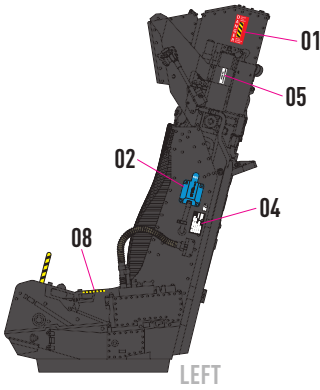


12





DECAL INSTRUCTION



YOU CAN FIND INSTRUCTIONS
IN PDF FORMAT ON THE WEBSITE

RESKIT-MODELS.COM

General Issues: info@reskit.com.ua

Wholesales: sales@reskit.com.ua

Claim Resolution: claims@reskit.com.ua