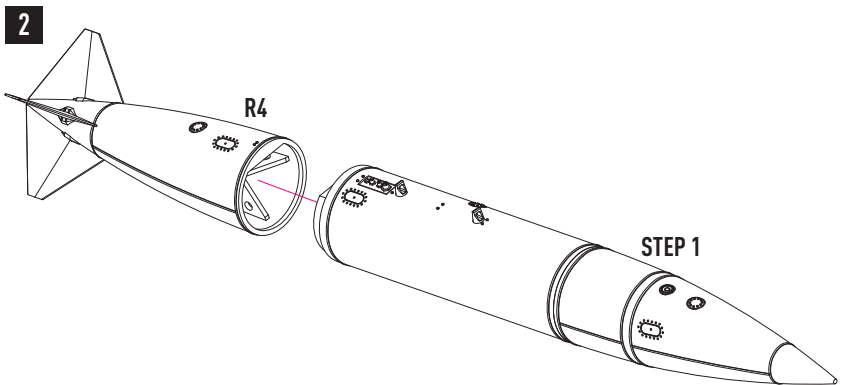
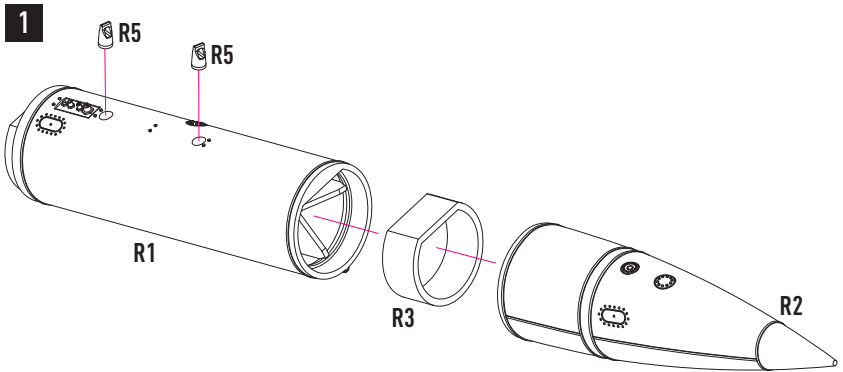
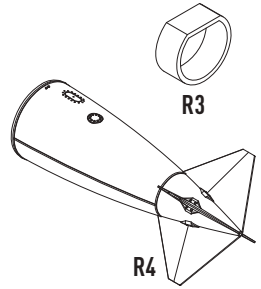
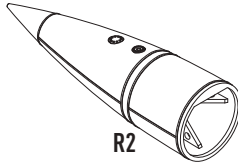
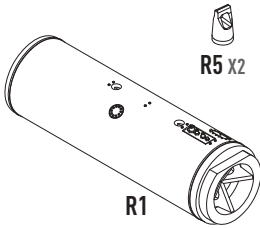
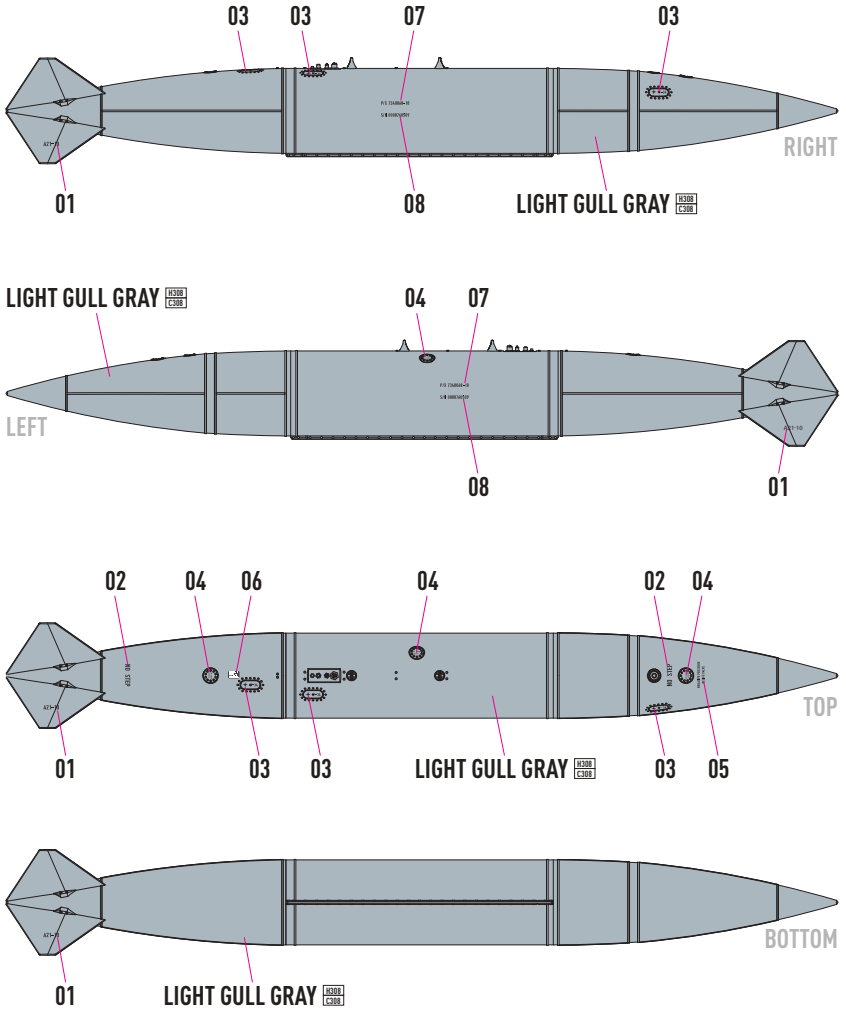


DETAILS AFTER REMOVAL FROM SUPPORTS

USE A SAW TO REMOVE SUPPORTS
FROM 3D PRINTED PARTS





COLORS	GUNZE / AEGIOUS	GUNZE / MR.COLOR
LIGHT GULL GRAY	H308	C308